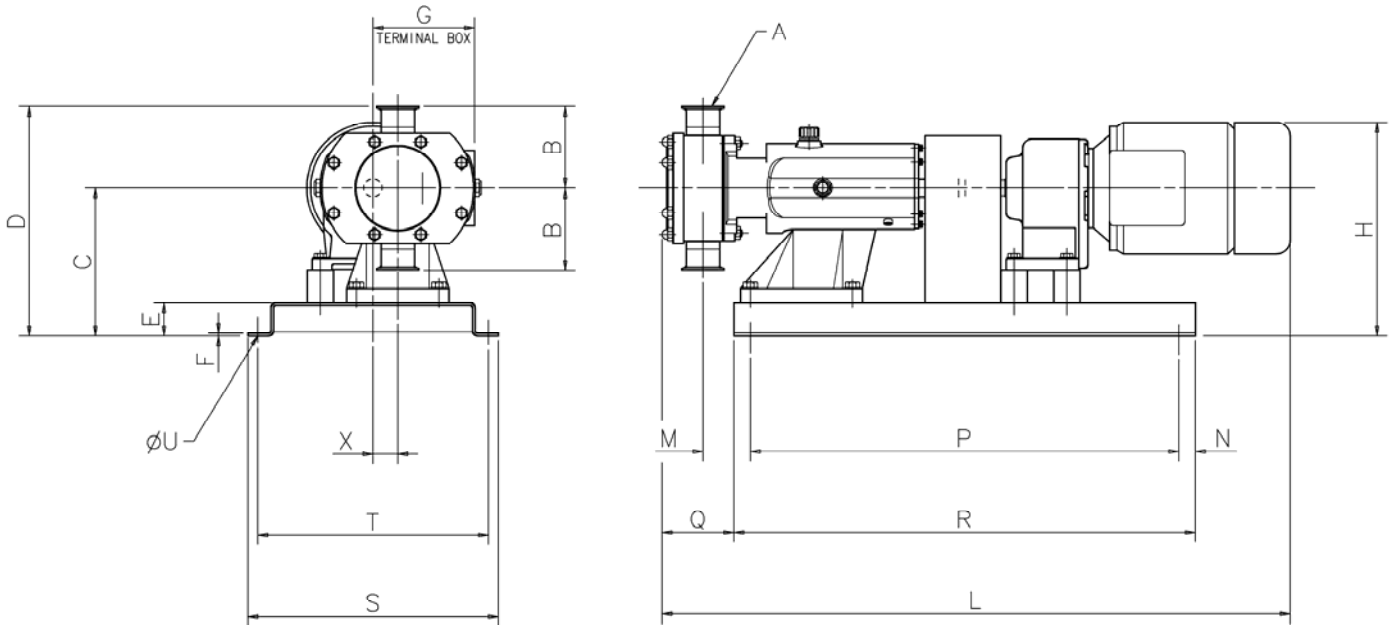


Series S Vertically Ported (V) Pumps

Typical arrangement drawing with pump direct coupled to standard TEFV geared electric motor with speed range 200 - 600 rev/min. For other speeds and pump model/motor power options please refer to our Customer Services.

All dimensions given in mm are typical to be used for guidance purposes only. Certified general arrangement drawings can be provided for additional cost at time of pump order.



| Pump Model | Motor Power kW | A | | B | C | D | E | F | L | | | | M | N | P | Q | R | S | T | U | X |
|--------------------|----------------|----------|----------|-----|-------|-------|----|------------|-------|-------|------|------|-------|-----|------|-----|------|-----|-----|--------|------|
| | | Std Port | Enl Port | | | | | | G max | H max | min | max | | | | | | | | | |
| S1-0005-V08 | 0.37 | 25 | - | 95 | 163 | 258 | 50 | 5 | 120 | 281 | 658 | 740 | 59 | 25 | 500 | 73 | 550 | 290 | 260 | 11 x 4 | 22.5 |
| | 0.55 | | | | | | | | 140 | 291 | 675 | 758 | | | | | | | | | |
| | 0.75 | | | | | | | | 140 | 291 | 675 | 758 | | | | | | | | | |
| S1-0008-V05 | 0.37 | 25 | 40 | 95 | 163 | 258 | 50 | 5 | 120 | 281 | 668 | 750 | 65 | 25 | 500 | 83 | 550 | 290 | 260 | 11 x 4 | 22.5 |
| | 0.55 | | | | | | | | 140 | 291 | 685 | 768 | | | | | | | | | |
| | 0.75 | | | | | | | | 140 | 291 | 685 | 768 | | | | | | | | | |
| S2-0013-V10 or V15 | 0.55 | 25 | 40 | 105 | 197 | 302 | 50 | 5 | 140 | 325 | 729 | 812 | 120 | 25 | 550 | 93 | 600 | 330 | 300 | 14 x 4 | 30 |
| | 0.75 | | | | | | | | 140 | 325 | 729 | 812 | | | | | | | | | |
| | 1.1 | | | | | | | | 150 | 350 | 771 | 856 | | | | | | | | | |
| S2-0018-V07 or V10 | 0.75 | 40 | 50 | 105 | 197 | 302 | 50 | 5 | 140 | 325 | 738 | 821 | 123 | 25 | 550 | 102 | 600 | 330 | 300 | 14 x 4 | 30 |
| | 1.1 | | | | | | | | 150 | 350 | 780 | 865 | | | | | | | | | |
| | 1.5 | | | | | | | | 150 | 350 | 780 | 865 | | | | | | | | | |
| S3-0027-V10 or V15 | 1.1 | 40 | 50 | 125 | 225 | 350 | 50 | 5 | 150 | 378 | 869 | 954 | 67.5 | 25 | 650 | 96 | 700 | 380 | 350 | 11 x 4 | 37.5 |
| | 1.5 | | | | | | | | 150 | 378 | 882 | 967 | | | | | | | | | |
| | 2.2 | | | | | | | | 160 | 387 | 914 | 999 | | | | | | | | | |
| S3-0038-V07 or V10 | 1.5 | 50 | 65 | 125 | 225 | 350 | 50 | 5 | 160 | 378 | 882 | 967 | 72 | 25 | 650 | 109 | 700 | 380 | 350 | 11 x 4 | 37.5 |
| | 2.2 | | | | | | | | 160 | 387 | 927 | 1012 | | | | | | | | | |
| | 3 | | | | | | | | 160 | 387 | 927 | 1012 | | | | | | | | | |
| S4-0055-V10 or V20 | 3 | 50 | 65 | 150 | 263 | 413 | 50 | 5 | 160 | 425 | 1018 | 1103 | 81 | 30 | 790 | 117 | 850 | 400 | 370 | 14 x 4 | 48 |
| | 4 | | | | | | | | 167 | 437 | 1069 | 1192 | | | | | | | | | |
| | 5.5 | | | | | | | | 194 | 470 | 1190 | 1332 | | | | | | | | | |
| S4-0079-V07 or V15 | 4 | 65 | 80 | 150 | 263 | 413 | 50 | 5 | 167 | 437 | 1086 | 1209 | 90 | 30 | 790 | 134 | 850 | 400 | 370 | 14 x 4 | 48 |
| | 5.5 | | | | | | | | 194 | 470 | 1207 | 1349 | | | | | | | | | |
| | 7.5 | | | | | | | | 194 | 470 | 1207 | 1349 | | | | | | | | | |
| S5-0116-V10 or V20 | 5.5 | 65 | 80 | 175 | 306.5 | 481.5 | 50 | 5 | 194 | 514 | 1276 | 1418 | 166.5 | 100 | 800 | 138 | 1000 | 420 | 390 | 14 x 4 | 60 |
| | 7.5 | | | | | | | | 194 | 514 | 1276 | 1418 | | | | | | | | | |
| | 11 | | | | | | | | 226 | 561 | 1357 | 1561 | | | | | | | | | |
| S5-0168-V07 or V15 | 5.5 | 80 | 100 | 175 | 306.5 | 481.5 | 50 | 5 | 194 | 514 | 1299 | 1441 | 178 | 100 | 800 | 161 | 1000 | 420 | 390 | 14 x 4 | 60 |
| | 7.5 | | | | | | | | 194 | 514 | 1299 | 1441 | | | | | | | | | |
| | 11 | | | | | | | | 226 | 561 | 1380 | 1584 | | | | | | | | | |
| S6-0260-V10 or V20 | 5.5 | 100 | 100 | 190 | 345 | 535 | 50 | 8 ms, 5 ss | 194 | 552 | 1397 | 1539 | 194 | 100 | 1000 | 191 | 1200 | 650 | 570 | 22 x 6 | 70 |
| | 7.5 | | | | | | | | 194 | 552 | 1397 | 1539 | | | | | | | | | |
| | 11 | | | | | | | | 226 | 599 | 1478 | 1682 | | | | | | | | | |
| S6-0353-V07 or V15 | 7.5 | 100 | 150 | 190 | 345 | 535 | 50 | 8 ms, 5 ss | 194 | 552 | 1426 | 1568 | 209 | 100 | 1000 | 220 | 1200 | 650 | 570 | 22 x 6 | 70 |
| | 11 | | | | | | | | 226 | 599 | 1507 | 1711 | | | | | | | | | |
| | 15 | | | | | | | | 226 | 599 | 1507 | 1711 | | | | | | | | | |