



TECHNICAL BROCHURE

BeSV60 R6

e-SV™ 60 Hz Technical Manual

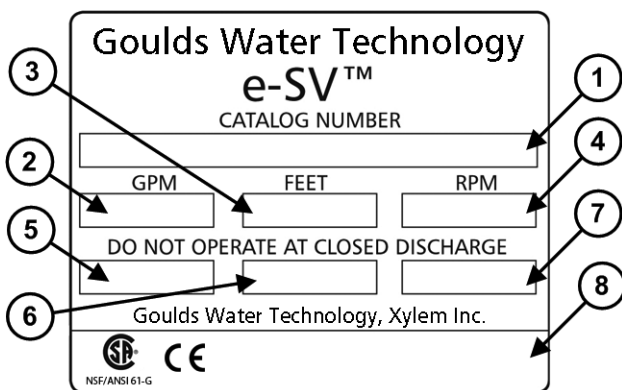
E-SV SERIES VERTICAL MULTI-STAGE PUMPS

 **GOULDS**
WATER TECHNOLOGY
a xylem brand

Contents

Coverage Curves	4
General Market Specifications	5
Characteristics of 1-22SV Series	6
Characteristics of 33-125SV Series	6
General Characteristics	7
Typical Applications of e-SV Pumps	8
e-SV Nomenclature	9-12
1-22SV Series Pump Cross Section and Main Components	13-14
33-92SV Series Pump Cross Section and Main Components	15-16
125SV Series Pump Cross Section and Main Components	17-18
e-SV Mechanical Seals	19
Maximum Allowable Working Pressure Charts	20
Maximum Inlet Pressure / Motor Data - Starts Per Hour	21
Motor Data	21-25
3500 RPM Curves, Dimensions and Weights	26-47
1750 RPM Curves, Dimensions and Weights	48-69
Horizontal Mounting Options	70-73
Table of Hydraulic Performances at 3500 RPM	74-79
Table of Hydraulic Performances at 1750 RPM	80-85
Technical Appendix	86-88

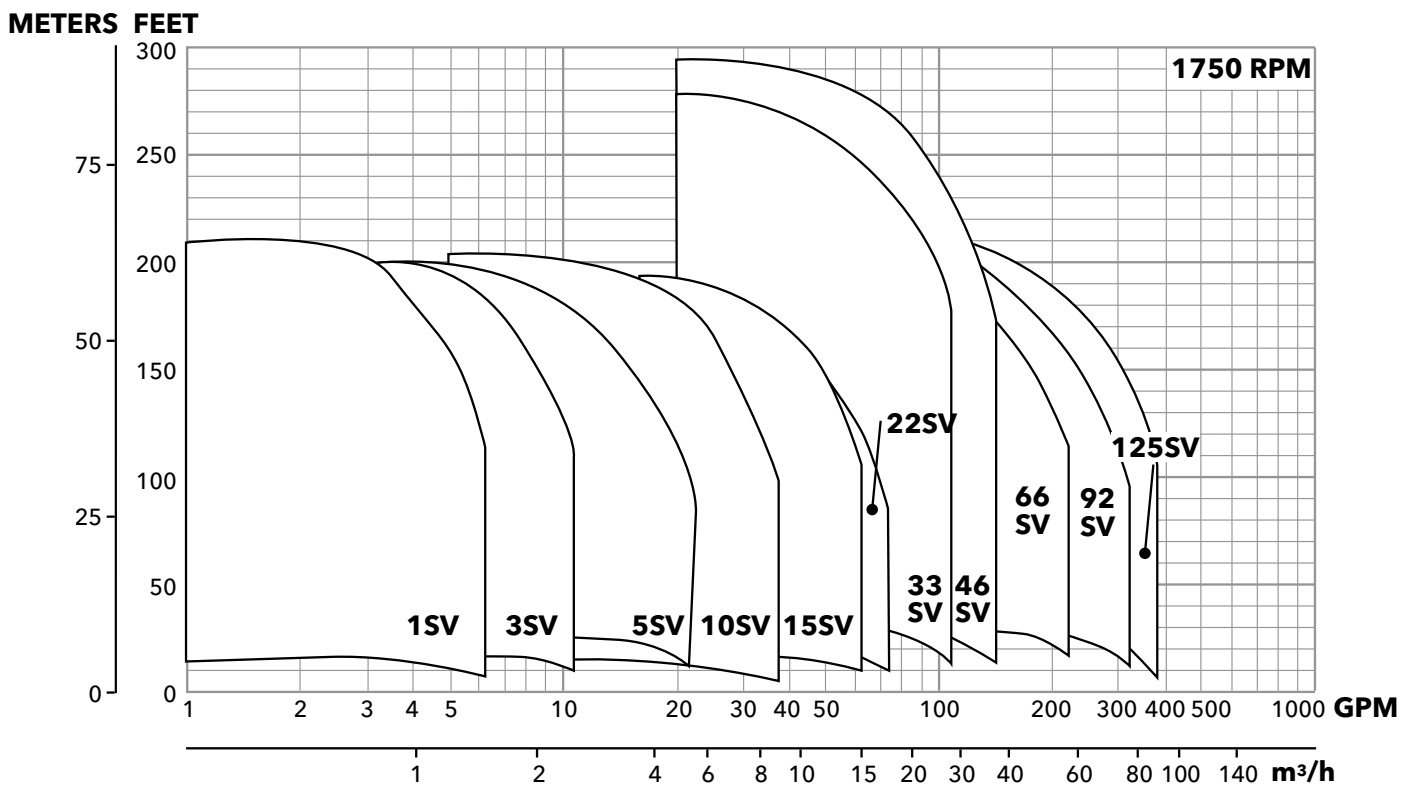
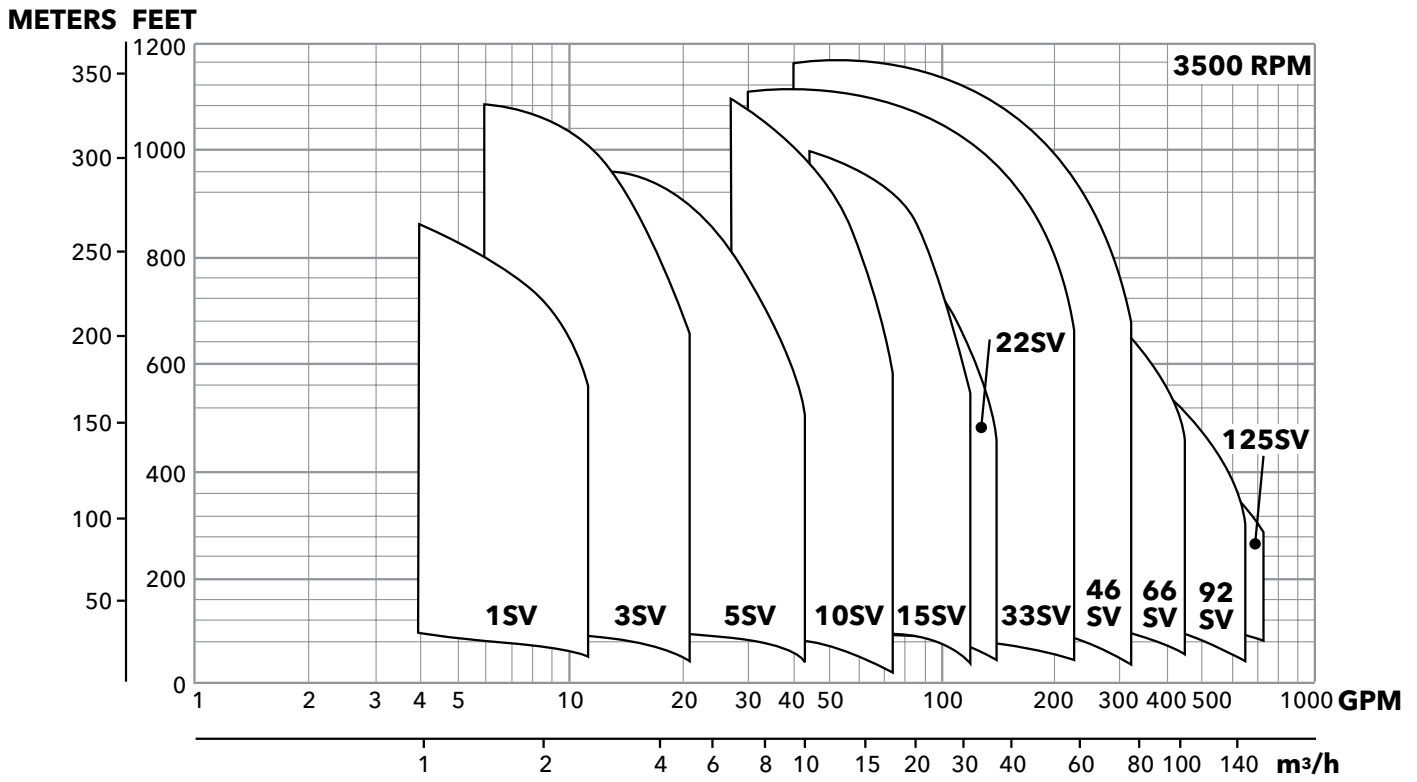
e-SV Rating Plate



1	Goulds Water Technology Catalog Number
2	Capacity Range
3	TDH Range
4	Rated Speed
5	Rated Horsepower
6	Maximum Operating Pressure
7	Maximum Operating Temperature
8	Pump Serial Number

Commercial Water

e-SV Coverage Curve



e-SV General Market Specifications

MUNICIPAL, AGRICULTURAL, LIGHT INDUSTRY,
WATER TREATMENT, HEATING AND AIR CONDITIONING

Applications

- Handling of water, free of suspended solids, in the municipal, industrial and agricultural markets
- Pressure boosting and water supply systems
- Fire fighting jockey pumps
- Irrigation systems
- Wash systems
- Water treatment plants: reverse osmosis
- Handling of moderately aggressive liquids, demineralized water, water and glycol, etc.
- Circulation of hot and cold water for heating, cooling and conditioning systems
- Boiler feed

Specifications

PUMP

The e-SV pump is a non-self priming vertical multistage pump coupled to a standard motor.

The liquid end, located between the upper cover and the pump casing, is held in place by tie rods. The pump casing is available with different configurations and connection types.

- Delivery: up to 725 GPM
- Head: up to 1200 feet
- Temperature of pumped liquid:
 - 20°F to 250°F (-30°C to 120°C) standard version
- Optional temperature range up to 300°F (149°C) high temperature version
- Maximum operating pressure
 - SV1-22 with oval flanges: 230 PSI (16 bar)
 - SV1-22 with round flanges or Victaulic: 360 or 575 PSI (25 or 40 bar)
 - SV33, 46: 360 or 580 PSI (25 or 40 bar)*
 - SV 66, 92: 360 or 580 PSI (25 or 40 bar)*
 - SV 125: 360 or 580 PSI (25 or 40 bar)
- Direction of rotation: clockwise looking at the pump from the top down (marked with an arrow on the adapter and on the coupling).

MOTOR

- Standard NEMA TC Frame motors in open drip proof or totally enclosed fan cooled.
- 3500 RPM nominal
- Standard voltage:
 - Single phase version: 115-208/230 V, 60 Hz up to 3 HP or 208-230 V for 5 HP
 - Three phase version, 2 pole: 208-230/460 V, 60 Hz up 75 HP

* Based on pump staging

e-SV Characteristics

1SV, 3SV, 5SV, 10SV, 15SV, 22SV Series

- Vertical multistage centrifugal pump. All metal parts in contact with the pumped liquid are made of stainless steel.
- The following versions are available:
 - F - ANSI flanges, in-line delivery and suction ports, AISI 304
 - T - Oval flanges (NPT), in-line delivery and suction ports, AISI 304
 - R - ANSI flanges, delivery port above the suction port, with four adjustable positions, AISI 304
 - N - ANSI flanges, in-line delivery and suction ports, AISI 316
 - P - Victaulic couplings, in-line delivery and suction ports, AISI 316
 - G - ANSI flange, in-line delivery and suction ports, Class 35/40B cast iron.
 - C - ISO clamp, AISI 316
- Innovative axial load compensation system on pumps with higher head. This ensures reduced axial thrusts and enables the use of standard NEMA TC motors that are easily found in the market.
- Seal housing chamber designed to prevent the accumulation of air in the critical area next to the mechanical seal
- Mechanical seal according to EN 12756 (ex DIN 24960) and ISO 3069
- Versions with ANSI flanges that can be coupled to ANSI raised face counter-flanges
- Threaded oval counter-flanges made of stainless steel are standard supply for the T versions
- Easy maintenance. No special tools required for assembly or disassembly
- Standard version for temperatures ranging from: -20°F to 250°F (30°C to 120°C)

33SV, 46SV, 66SV, 92SV, 125SV Series

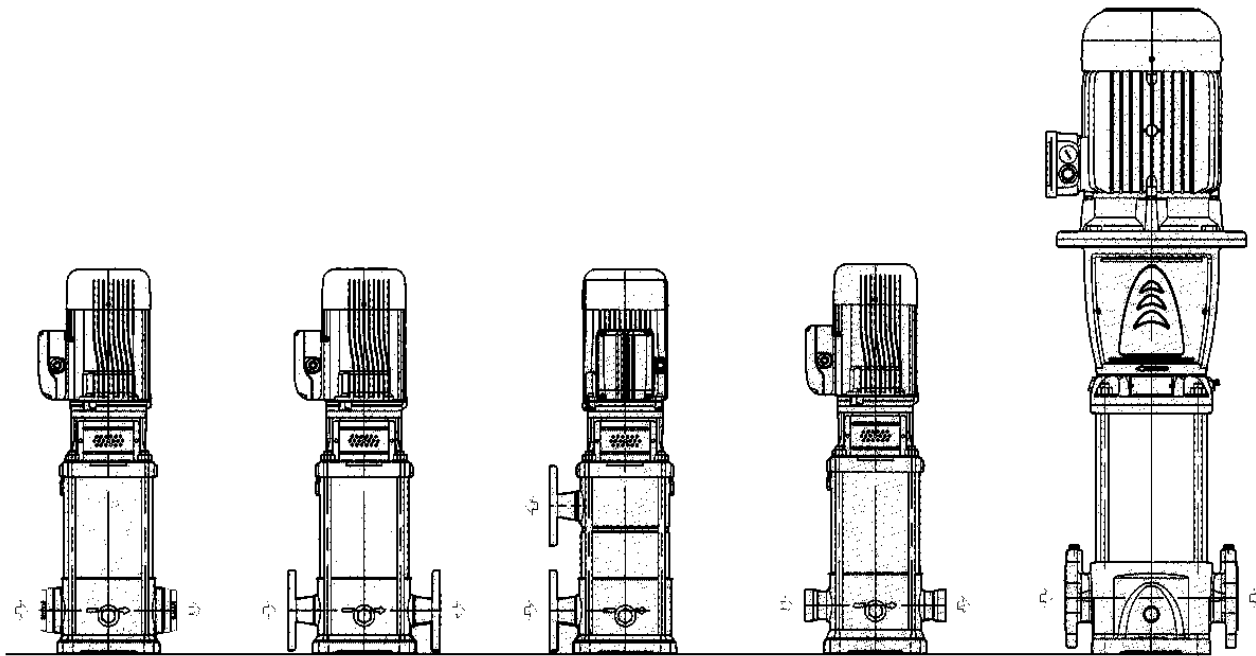
- Vertical multistage centrifugal pump with impellers, diffusers and outer sleeve made entirely of stainless steel, and with pump casing and motor adapter made of cast iron in the standard version
- Rotating components made entirely of AISI 316 stainless steel
- High heads and capacities five sizes: 33SV, 46SV, 66SV, 92SV, 125SV
- Re-designed liquid end provides improved efficiency and energy savings
- Innovative axial load compensation system on pumps with higher head. This ensures reduced axial thrusts and enables the use of standard NEMA TC motors that are easily found in the market.
- Balanced mechanical seal according to EN 12756 (ex DIN 24960) and ISO 3069, which can be replaced without removing the motor from the pump
- Seal housing chamber designed to prevent the accumulation of air in the critical area next to the mechanical seal
- Standard version for temperature ranging from: -20°F to 250°F (-30°C to 120°C)
- Pump body fitted with taps for installing pressure gauges on both suction and delivery flanges
- In-line ports with ANSI flanges that can be coupled to counter-flanges, in compliance with ANSI raised face.
- Mechanical sturdiness and easy maintenance. No special tools required for assembly or disassembly.

Optional Features

- Horizontal version
- Special voltages, 50 Hz frequency
- Special materials for the mechanical seal, gaskets and elastomers
- Tropicalized motors
- Premium E and explosion proof motors
- 1750 RPM, 4 pole motors
- Passivation

Commercial Water

General Characteristics - 2-pole



SERIES SVT
1SV, 3SV, 5SV,
10SV, 15SV, 22SV

SERIES SVF, SVN
1SV, 3SV, 5SV,
10SV, 15SV, 22SV

SERIES SVR
1SV, 3SV, 5SV,
10SV, 15SV, 22SV

SERIES SVP
VICTAULIC
1SV, 3SV, 5SV,
10SV, 15SV, 22SV

SERIES SVG, SVN
33SV, 46SV, 66SV,
92SV, 125SV

e-SV Product Range	1SV	3SV	5SV	10SV	15SV	22SV	33SV	46SV	66SV	92SV	125SV
Nominal Flow (GPM)	9	15	30	50	80	110	150	220	350	450	600
Flow Range(GPM)	2-12	3-22	7-45	9-75	18-125	21-150	30-195	45-285	70-420	90-580	120-700
Max. Head (Ft)	860	1085	975	1150	1060	880	1125	1210	850	715	570
Max. Working Pressure (PSIG)	580					360/580					
Temperature Range (°F)	Standard -20°F - 250°F (-30°C - 121°C)										
High Temp Option	up to 300°F (150°C)						-				
Motor Power [HP]	½ - 5 HP	½ - 7½	¾ - 10	¾ - 20	2 - 25	3 - 30	3 - 60	7½ - 75	10 - 75	15 - 75	20 - 75
Max Pump Efficiency	51%	60%	70%	70%	70%	71%	76%	78%	78%	80%	79%
Materials of Construction											
SVT	304 SS						-				
SVF	304 SS						-				
SVN	316L SS						Cast Stainless Steel / 316L SS				
SVR	304 SS						-				
SVP	316L SS						-				
SVC	316L SS						-				
SVG	ASTM Class 35/40B Cast Iron / 304 SS										
Connection Sizes											
SVT - Oval NPT	1¼"	1¼"	1¼"	2"	2"	2"	-				
SVF - Round ANSI Size/Class	1¼" 300#	1¼" 300#	1¼" 300#	2" 300#	2" 300#	2" 300#	-				
SVN - Round ANSI Size/Class	1¼" 300#	1¼" 300#	1¼" 300#	2" 300#	2" 300#	2" 300#	2½" 150/300#	3" 150/300#	4" 150/300#	4" 150/300#	5" 150/300#
SVR - Top/Bottom Round ANSI Size/Class	1¼" 300#	1¼" 300#	1¼" 300#	2" 300#	2" 300#	2" 300#	-				
SVP - Victaulic	1¼"	1¼"	1¼"	2"	2"	2"	-				
SVC - Clamp	1½"	1½"	1½"	2"	2"	2"	-				
SVG - Cast Iron Size/Class	1¼" 250#	1¼" 250#	1¼" 250#	2" 250#	2" 250#	2" 250#	2½" 125/250#	3" 125/250#	4" 125/250#	4" 125/250#	5" 125/250#

Commercial Water

Typical Applications of e-SV Series Multi-Stage Pumps

Water Supply and Pressure Boosting

- Pressure boosting in buildings, hotels, residential complexes
- Pressure booster stations, supply of water networks
- Booster packages

Water Treatment

- Ultra filtration systems
- Reverse osmosis systems
- Water softeners and de-mineralization
- Distillation systems
- Filtration

Light Industry

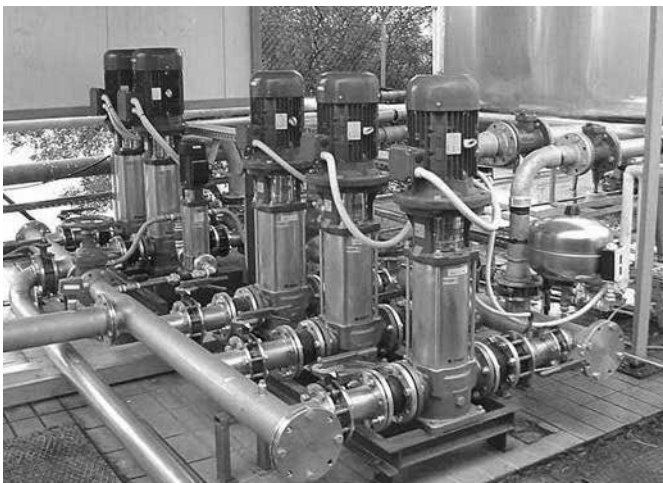
- Washing and cleaning plants (washing and degreasing of mechanical parts, car and truck wash tunnels, washing of electronic industry circuits)
- Commercial washers
- Fire fighting system pumps

Irrigation and Agriculture

- Greenhouses
- Humidifiers
- Sprinkler irrigation

Heating, Ventilation and Air Conditioning (HVAC)

- Cooling towers and systems
- Temperature control systems
- Refrigerators
- Induction heating
- Heat exchangers
- Boilers
- Water recirculation and heating



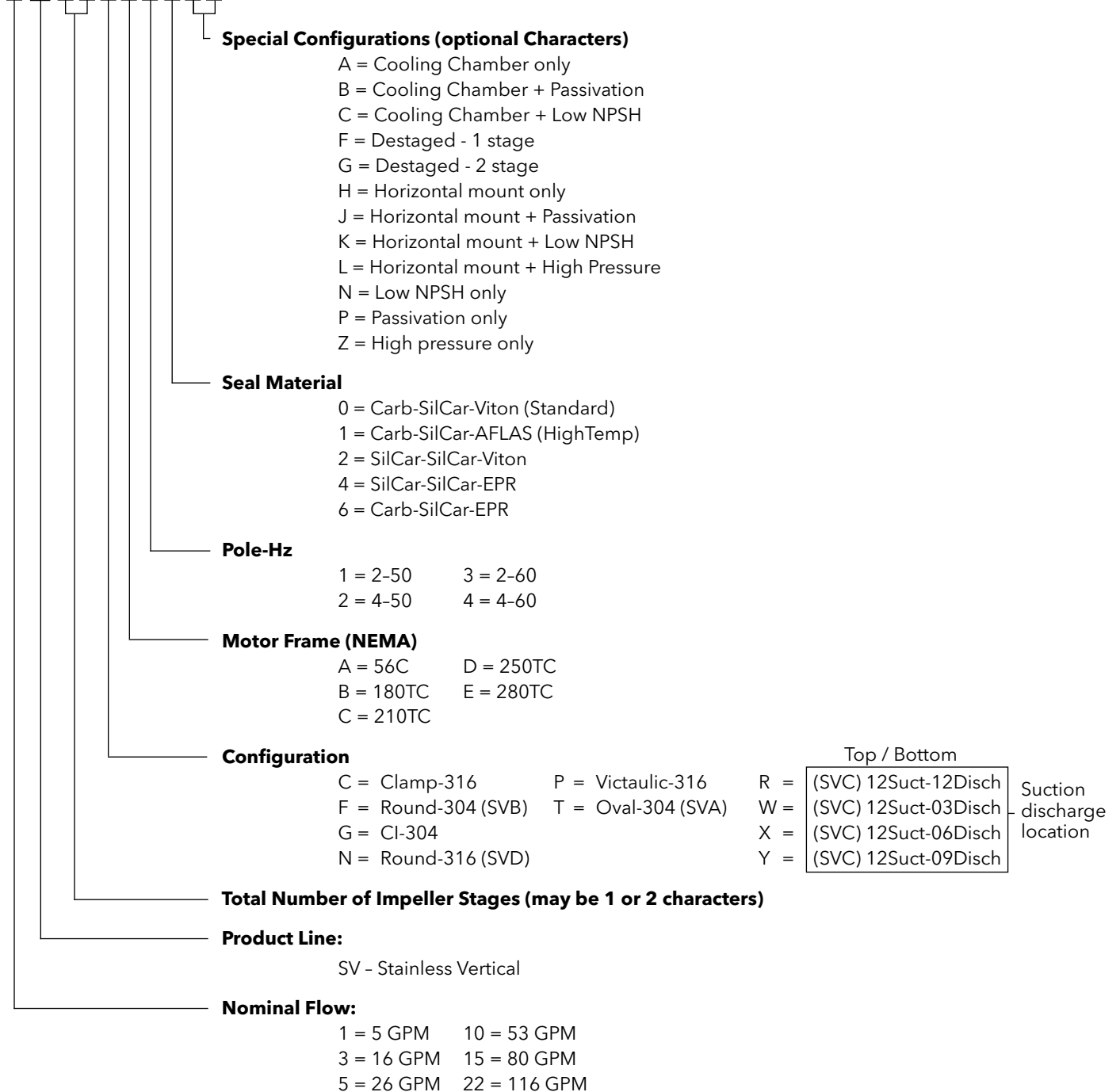
Commercial Water

e-SV Product Line Numbering System for 1 - 22SV Liquid End Only

The various versions of the e-SV line are identified by a product code number on the pump label. This number is also the catalog number for the pump. The meaning of each digit in the product code number is shown below.
Note: Not all combinations are possible.

Example Product Code

22 SV 0 2 F E 3 0



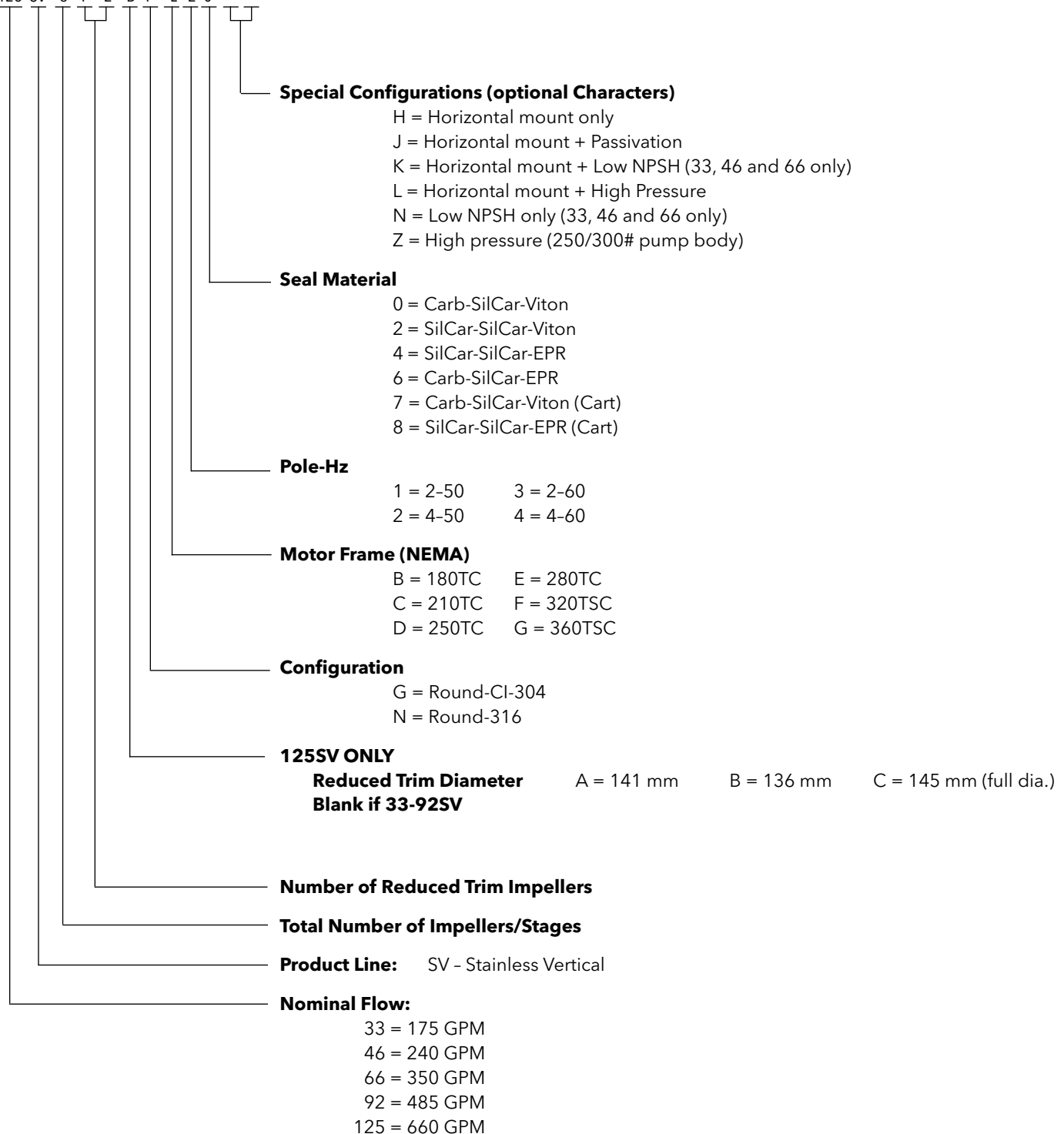
e-SV Product Line Numbering System for 33 - 125SV Liquid End Only

The various versions of the e-SV line are identified by a product code number on the pump label. This number is also the catalog number for the pump. The meaning of each digit in the product code number is shown below.

Note: Not all combinations are possible.

Example Product Code

125 SV 8 1 2 B F E 2 0



Commercial Water

e-SV Product Line Numbering System for 1 - 22SV Pump & Motor Combination

The various versions of the e-SV line are identified by a product code number on the pump label. This number is also the catalog number for the pump. The meaning of each digit in the product code number is shown below.

Note: Not all combinations are possible.

Example Product Code

2 SV 2 2 F A 2 F 5 1 A H

Special Configurations (1 or 2 Characters)

A = Cooling Chamber only	K = Horizontal mount + Low NPSH
B = Cooling Chamber + Passivation	L = Horizontal mount + High Pressure
C = Cooling Chamber + Low NPSH	M = i-Alert
F = Destaged - 1 stage	N = Low NPSH only
G = Destaged - 2 stage	P = Passivation only
H = Horizontal mount only	Z = High Press (250/300# pump body)
J = Horizontal mount + Passivation	

Seal Material

0 = Carb-SilCar-Viton	4 = SilCar-SilCar-EPR
1 = Carb-SilCar-AFLAS (HighTemp)	6 = Carb-SilCar-EPR
2 = SilCar-SilCar-Viton	

Motor Enclosure

1 = ODP	6 = Prem-TEFC	A = Chem
2 = TEFC	7 = Prem-XP	B = Prem-Chem
3 = X-Proof	8 = Prem-WD	C = Class 1 Div 2
4 = WD - Tropical	9 = Marine	
5 = Prem-ODP		

Voltage

A = 115/230	H = 190/380	R = 220
B = 230	J = 115/208-230	S = 415
C = 230/460	K = 208	T = 220/380 WYE
D = 460	L = 208-230	U = 380-660 WYE
E = 575	M = 190-380/415	V = 208-230/460 WYE
F = 208-230/460	N = 380	W = 220/380/440
G = 200	P = 110/220	

Pole-Hz-Phase

1 = 2-50-1	5 = 4-50-1
2 = 2-50-3	6 = 4-50-3
3 = 2-60-1	7 = 4-60-1
4 = 2-60-3	8 = 4-60-3

HP Rating

A = 0.50	F = 3	L = 20	S = 60
B = 0.75	G = 5	M = 25	T = 75
C = 1.00	H = 7.5	N = 30	U = 100
D = 1.50	J = 10	P = 40	
E = 2	K = 15	R = 50	

Configuration OPTION

C = Clamp-316			
F = Round-304 (SVB)	R =	(SVC) 12Suct-12Disch	Suction discharge location
G = CI-304	W =	(SVC) 12Suct-03Disch	
N = Round-316 (SVD)	X =	(SVC) 12Suct-06Disch	
P = Victaulic-316	Y =	(SVC) 12Suct-09Disch	
T = Oval-304 (SVA)			

Total Number of Impeller Stages (may be 1 or 2 characters)

Product Line:

SV - Stainless Vertical

Nominal Flow:

1 = 5 GPM	10 = 53 GPM
3 = 16 GPM	15 = 80 GPM
5 = 26 GPM	22 = 116 GPM

e-SV Product Line

Numbering System for 33 - 125SV Pump & Motor Combination

The various versions of the e-SV line are identified by a product code number on the pump label. This number is also the catalog number for the pump. The meaning of each digit in the product code number is shown below.

Note: Not all combinations are possible.

Example Product Code

125 SV 8 2 A G K 3 F 2 0

Special Configurations (1 or 2 Characters)

- | | |
|--------------------------------------|--|
| H = Horizontal mount only | M = i-Alert |
| J = Horizontal mount + Passivation | N = Low NPSH only (33, 46 and 66 only) |
| K = Horizontal mount + Low NPSH | P = Passivation only |
| L = Horizontal mount + High Pressure | Z = High Press (250/300# pump body/Casing) |

Seal Material

- | | |
|-------------------------|------------------------------|
| 0 = Carb-SilCar-Viton | 6 = Carb-SilCar-EPR |
| 2 = SilCar-SilCar-Viton | 7 = Carb-SilCar-Viton (Cart) |
| 4 = SilCar-SilCar-EPR | 8 = SilCar-SilCar-EPR (Cart) |

Motor Enclosure

- | | | |
|-------------------|---------------|-------------------|
| 1 = ODP | 5 = Prem-ODP | 9 = Marine |
| 2 = TEFC | 6 = Prem-TEFC | A = Chem |
| 3 = X-Proof | 7 = Prem-XP | B = Prem-Chem |
| 4 = WD - Tropical | 8 = Prem-WD | C = Class 1 Div 2 |

Voltage

- | | | |
|-----------------|-----------------|---------------------|
| A = 115/230 | H = 190/380 | R = 220 |
| B = 230 | J = 115/208-230 | S = 415 |
| C = 230/460 | K = 208 | T = 220/380 WYE |
| D = 460 | L = 208-230 | U = 380-660 WYE |
| E = 575 | M = 190-380/415 | V = 208-230/460 WYE |
| F = 208-230/460 | N = 380 | |
| G = 200 | P = 110/220 | |

Pole-Hz-Phase

- | | |
|------------|------------|
| 1 = 2-50-1 | 5 = 4-50-1 |
| 2 = 2-50-3 | 6 = 4-50-3 |
| 3 = 2-60-1 | 7 = 4-60-1 |
| 4 = 2-60-3 | 8 = 4-60-3 |

HP Rating

- | | | |
|---------|--------|---------|
| F = 3 | L = 20 | R = 50 |
| G = 5 | M = 25 | S = 60 |
| H = 7.5 | N = 30 | T = 75 |
| J = 10 | P = 40 | U = 100 |
| K = 15 | | |

Configuration

- | | |
|------------------|---------------|
| G = Round-CI-304 | N = Round-316 |
|------------------|---------------|

125SV ONLY

- Reduced Trim Diameter** A = 141 mm B = 136 mm C = 145 mm (full dia.)
Blank if 33-92SV

Number of Reduced Trin Impeller

Total Number of Impeller Stages (may be 1 or 2 characters)

Product Line:

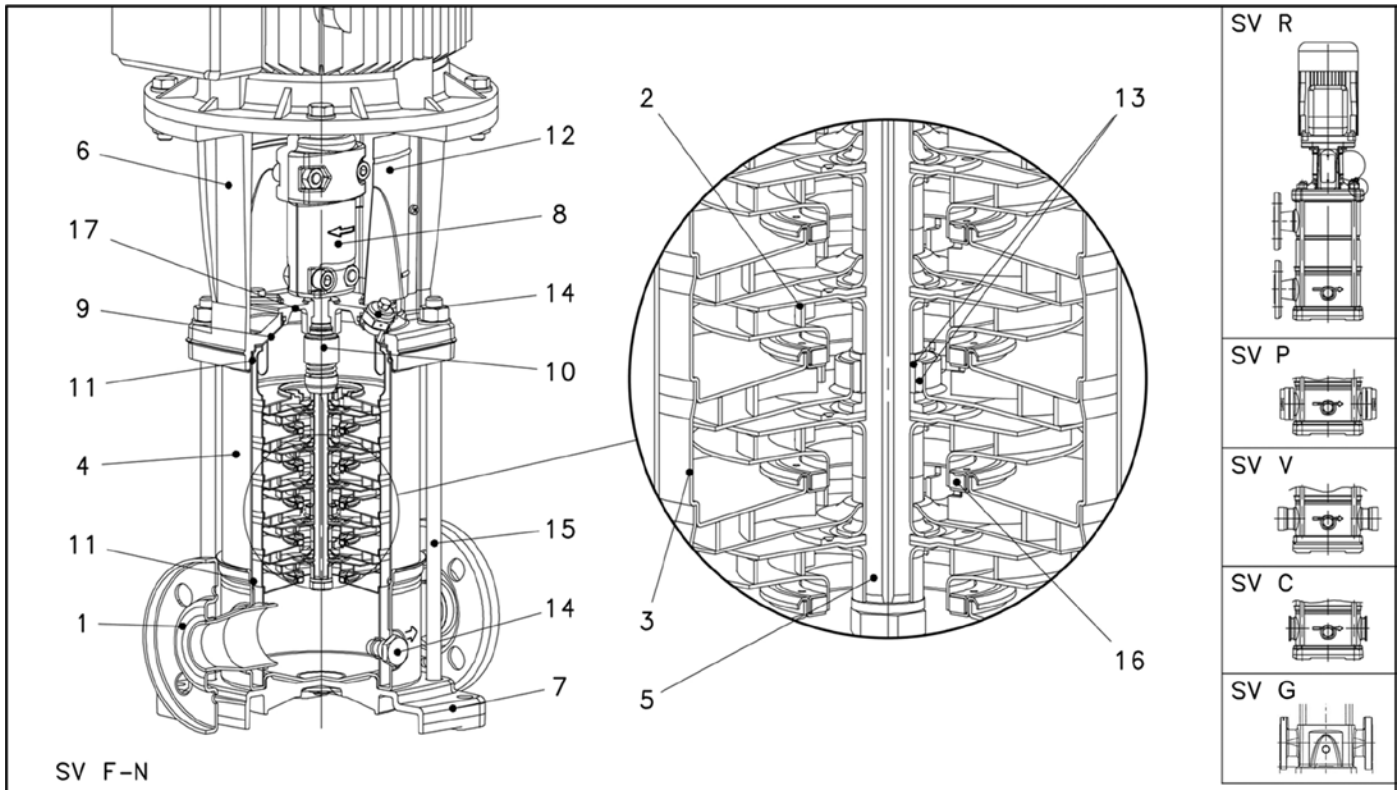
SV - Stainless Vertical

Nominal Flow:

- | | |
|--------------|---------------|
| 33 = 175 GPM | 92 = 485 GPM |
| 46 = 240 GPM | 125 = 660 GPM |
| 66 = 350 GPM | |

Commercial Water

Base Models: 1-22SV – Major Components



Commercial Water

Base Models: 1-22SV – Major Components

F, G, P, R VERSIONS

Ref. No.	Name	Material	Reference Standards	
			USA	Europe
1	Pump Body	Stainless Steel (F, P, R)	AISI 304	EN 10088-1-X5-CrNi18-10 (1.4301)
		Cast Iron (G)	ASTM Class 35/40B	EN 1561 GJL 250 (JL1040)
2	Impeller	Stainless Steel	AISI 304	EN 10088-1-X5-CrNi18-10 (1.4301)
3	Diffuser	Stainless Steel	AISI 304	EN 10088-1-X5-CrNi18-10 (1.4301)
4	Casing	Stainless Steel	AISI 316L	EN 10088-1-X2-CrNiMo17-12-2 (1.4404)
5	Shaft	Stainless Steel	AISI 316	EN 10088-1-X2-CrNiMo17-12-2 (1.4401)
6	Adapter	Cast Iron	ASTM Class 35/40B	EN 1561-GJL-250 (JL1040)
7	Base	Aluminum (F, P, R)	A384.0-F	EN 1706-AC-AISI11Cu2(Fe) (AC46100)
		N/A (G)	N/A	N/A
8	Coupling	Aluminum	A384.0-F	EN 1706-AC-AISI11Cu2(Fe) (AC46100)
9	Seal Plate	Stainless Steel	AISI 316L	EN 10088-1-X2-CrNi17-12-2 (1.4404)
10	Mechanical Seal	Silicon Carbide / Carbon / Viton (opt. EPDM)		
11	Elastomers	Viton (opt. EPDM)		
12	Coupling Guard	Stainless Steel	AISI 304	EN 10088-1-X5-CrNi18-10 (1.4301)
13	Shaft Sleeve and Bushing	Tungsten Carbide		
14	Fill/Drain Plugs	Stainless Steel	AISI 316	EN 10088-1-X2-CrNiMo17-12-2 (1.4401)
15	Tie Rods	Carbon Steel / Zinc Plated	A29 Gr. 1045	EN 10277
16	Wear Ring	PPS		
17	Seal Gland	Stainless Steel	AISI 316	EN 10088-1-X2-CrNiMo17-12-2 (1.4401)

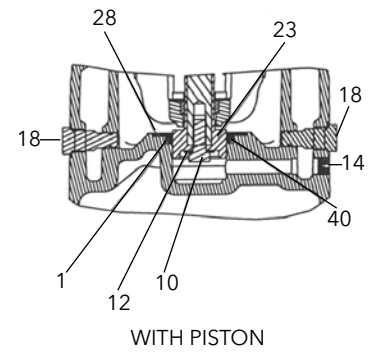
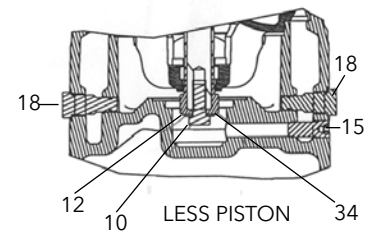
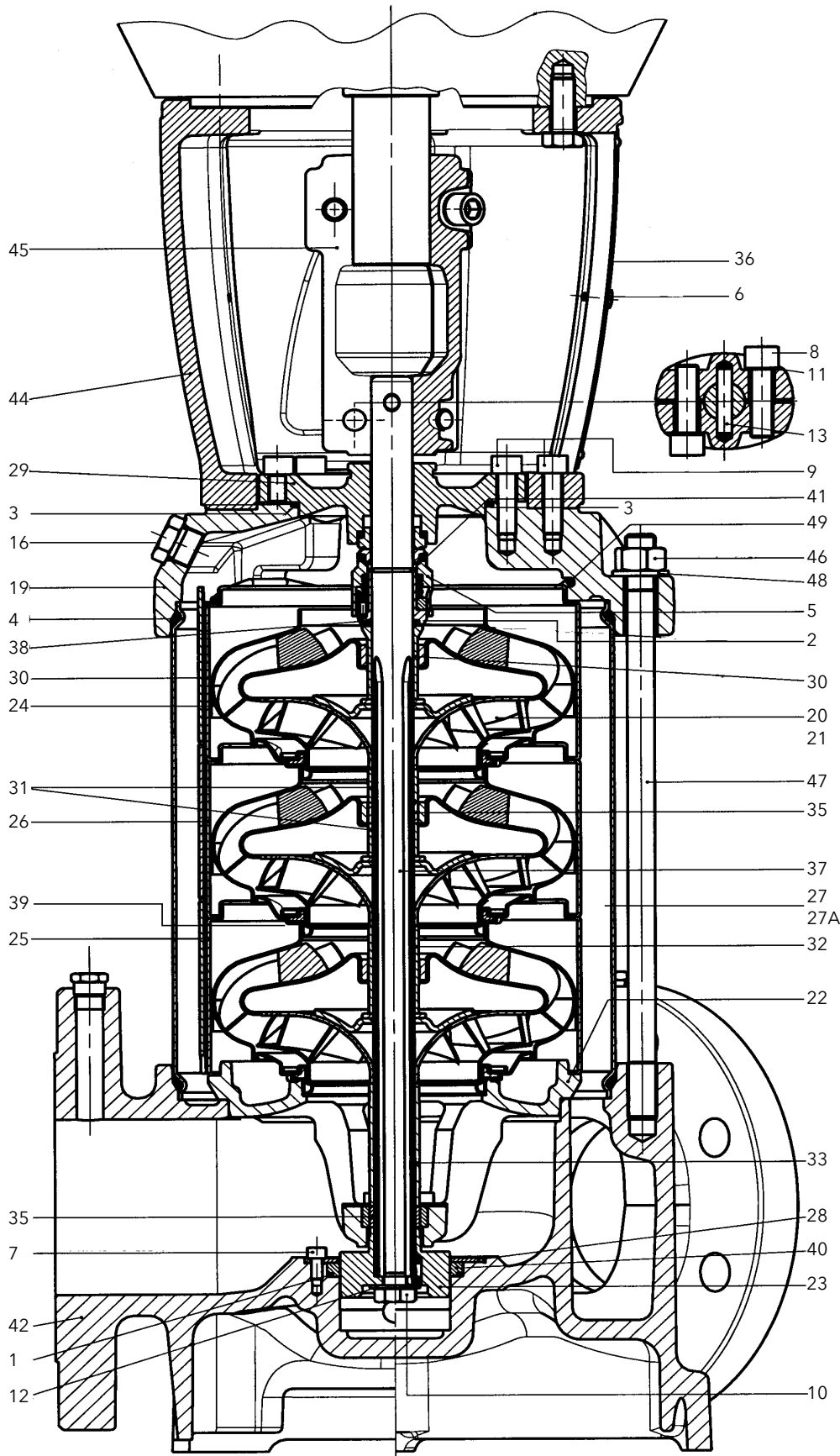
N, P, C VERSIONS

Ref. No.	Name	Material	Reference Standards	
			USA	Europe
1	Pump Body	Stainless Steel	AISI 316L	EN 10088-1-X2-CrNiMo17-12-2 (1.4404)
2	Impeller	Stainless Steel	AISI 316L	EN 10088-1-X2-CrNiMo17-12-2 (1.4404)
3	Diffuser	Stainless Steel	AISI 316L	EN 10088-1-X2-CrNiMo17-12-2 (1.4404)
4	Casing	Stainless Steel	AISI 316L	EN 10088-1-X2-CrNiMo17-12-2 (1.4404)
5	Shaft	Stainless Steel	AISI 316	EN 10088-1-X2-CrNiMo17-12-2 (1.4401)
6	Adapter	Cast Iron	ASTM Class 35/40B	EN 1561-GJL-250 (JL1040)
7	Base	Aluminum	A384.0-F	EN 1706-AC-AISI11Cu2(Fe) (AC46100)
8	Coupling	Aluminum	A384.0-F	EN 1706-AC-AISI11Cu2(Fe) (AC46100)
9	Seal Plate	Stainless Steel	AISI 316L	EN 10088-1-X2-CrNi17-12-2 (1.4404)
10	Mechanical Seal	Silicon Carbide / Carbon / Viton (opt. EPDM)		
11	Elastomers	Viton (opt. EPDM)		
12	Coupling Guard	Stainless Steel	AISI 304	EN 10088-1-X5-CrNi18-10 (1.4301)
13	Shaft Sleeve and Bushing	Tungsten Carbide		
14	Fill/Drain Plugs	Stainless Steel	AISI 316	EN 10088-1-X2-CrNiMo17-12-2 (1.4401)
15	Tie Rods	Carbon Steel / Zinc Plated	A29 Gr. 1045	EN 10277
16	Wear Ring	PPS		
17	Seal Gland	Stainless Steel	AISI 316	EN 10088-1-X2-CrNiMo17-12-2 (1.4401)

Commercial Water

Base Model: 33SV, 46SV, 66SV and 92SV – Major Components

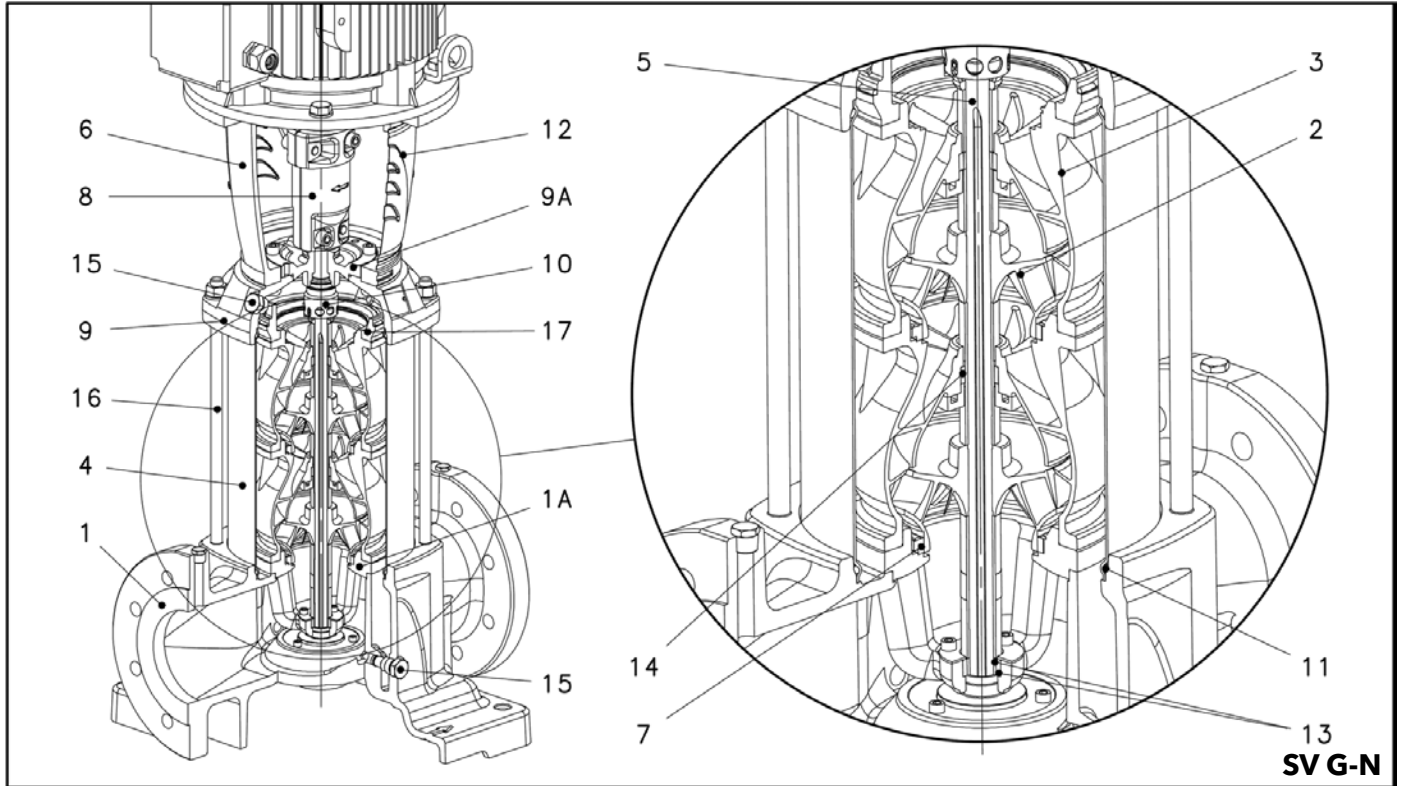
SV G-N



Base Model: 33SV, 46SV, 66SV and 92SV – Major Components

No.	Description	SVG (33 - 92SV)			SVN (33 - 92SV)		
		Material	ASTM	DIN	Material	ASTM	DIN
1	O-Ring, Piston Seal	Viton (std) EPDM (opt)			Viton (std) EPDM (opt)		
2	O-Ring, Mechanical Seal Sleeve	Viton (std) EPDM (opt)			Viton (std) EPDM (opt)		
3	O-Ring, Seal housing	Viton (std) EPDM (opt)			Viton (std) EPDM (opt)		
4	O-Ring, Sleeve	Viton (std) EPDM (opt)			Viton (std) EPDM (opt)		
5	Mechanical Seal	See Seal Materials Chart for Complete DetailSee Sea			Materials Chart for Complete Details		
5A	Cartridge Seal (not shown)						
6	Screw, Guard	Stainless Steel	A193-304	1.4301	Stainless Steel	A193-304	1.4301
7	Screw, Piston Holding Disc	Stainless Steel	A193-316	1.4401	Stainless Steel	A193-316	1.4401
8	Screw, Coupling	Zinc Plated Steel	B363		Zinc Plated Steel	B633	
9	Screw, MA and Seal Housing	Zinc Plated Steel	B633		Zinc Plated Steel	B633	
10	Screw, Impeller	Stainless Steel	A193-316	1.4401	Stainless Steel	A193-316	1.4401
11	Washer, Coupling	Carbon Steel	A108		Carbon Steel	A108	
12	Washer, Impeller	Stainless Steel	A193-316	1.4401	Stainless Steel	A193-316	1.4401
13	Pin, Coupling	Carbon Steel	A108		Carbon Steel	A108	
14	Plug, with Piston	Stainless Steel	A193-316	1.4401	Stainless Steel	A193-316	1.4401
15	Plug, without Piston	Stainless Steel	A193-316	1.4401	Stainless Steel	A193-316	1.4401
16	Plug, Fill	Stainless Steel/O-Ring	A193-316	1.4401	Stainless Steel/O-Ring	A193-316	1.4401
17	Plug, Vent (not shown)	Stainless Steel/O-Ring	A193-316	1.4401	Stainless Steel/O-Ring	A193-316	1.4401
18	Plug, Drain	Stainless Steel/O-Ring	A193-316	1.4401	Stainless Steel/O-Ring	A193-316	1.4401
19	Pump Head	Cast Iron	A48 Class 35	JL1030	Stainless Steel	316 CF8M	1.4408
20	Impeller, Full Diameter	Stainless Steel	A193-316L	1.4404	Stainless Steel	A193-316L	1.4404
21	Impeller, Reduced Diameter	Stainless Steel	A193-316L	1.4404	Stainless Steel	A193-316L	1.4404
22	Lower Bearing Assembly	SS/Cast Iron	A193-316L/A48 Class 35	1.4404/JL1030	Stainless Steel	A193-316L/316 CF8M	1.4404/1.4408
23	Piston	Duplex SS	A182-F51	1.4462	Duplex SS	A182-F51	1.4462
24	Diffuser, Final	Stainless Steel	A193-316L	1.4404	Stainless Steel	A193-316L	1.4404
25	Diffuser with Carbon Bushing	Stainless Steel	A193-316L	1.4404	Stainless Steel	A193-316L	1.4404
26	Diffuser with Tungsten Bushing	Stainless Steel	A193-316L	1.4404	Stainless Steel	A193-316L	1.4404
27	Outer Sleeve, 25 Bar	Stainless Steel	A193-316L	1.4404	Stainless Steel	A193-316L	1.4404
27A	Outer Sleeve, 40 Bar	Stainless Steel	A193-316L	1.4404	Stainless Steel	A193-316L	1.4404
28	Holding Disc, Piston Seal	Stainless Steel	A193-316L	1.4404	Stainless Steel	A193-316L	1.4404
29	Seal Housing	Cast Iron	A48 Class 35	JL1030	Stainless Steel	316 CF8M	1.4408
30	Spacer, Impeller Final	Stainless Steel	A193-316	1.4401	Stainless Steel	A193-316	1.4401
31	Spacer, Shaft Bushing	Stainless Steel	A193-316	1.4401	Stainless Steel	A193-316	1.4401
32	Spacer, Impeller	Stainless Steel	A193-316	1.4401	Stainless Steel	A193-316	1.4401
33	Spacer, Impeller Lower (66-92SV)	Stainless Steel	A193-316	1.4401	Stainless Steel	A193-316	1.4401
34	Bushing, Non-Piston	Stainless Steel	A193-316	1.4401	Stainless Steel	A193-316	1.4401
35	Tungsten Carbide Bushing	Tungsten Carbide			Tungsten Carbide		
36	Coupling Guard	Stainless Steel	A193-304	1.4301	Stainless Steel	304	1.4301
37	Shaft	Duplex SS	A182-F51	1.4462	Duplex SS	A182-F51	1.4462
38	Mechanical Seal Shaft Sleeve	Stainless Steel	A193-316	1.4401	Stainless Steel	A193-316	1.4401
39	Wear Ring, Impeller	PPS Glass Filled			PPS Glass Filled		
40	Piston Seal	Impregnated Carbon			Impregnated Carbon		
41	Stop Ring, Impeller	Stainless Steel	A193-316	1.4401	Stainless Steel	A193-316	1.4401
42	Pump Body	Cast Iron	A48 Class 35	JL1030	Stainless Steel	316 CF8M	1.4408
43	Motor Adapter Plate (not shown)	Cast Iron	A48 Class 25	JL1030	Cast Iron	A48 Class 25	JL1030
44	Motor Adapter	Cast Iron	A48 Class 25	JL1030	Cast Iron	A48 Class 25	JL1030
45	Coupling, Half	Cast Iron	A48 Class 25	JL1030	Cast Iron	A48 Class 25	JL1030
46	Nut, Tie-Rod	Zinc Plated Steel	B633		Zinc Plated Steel	B633	
47	Tie-Rod	Zinc Plated Steel	B633		Zinc Plated Steel	B633	
48	Washer, Tie-Rod	Zinc Plated Steel	B633		Zinc Plated Steel	B633	
49	Spring, Final Diffuser	Stainless Steel	A193-316	1.4401	Stainless Steel	A193-316	1.4401

Base Models: 125SV – Major Components



Base Models: 125SV – Major Components

G VERSIONS

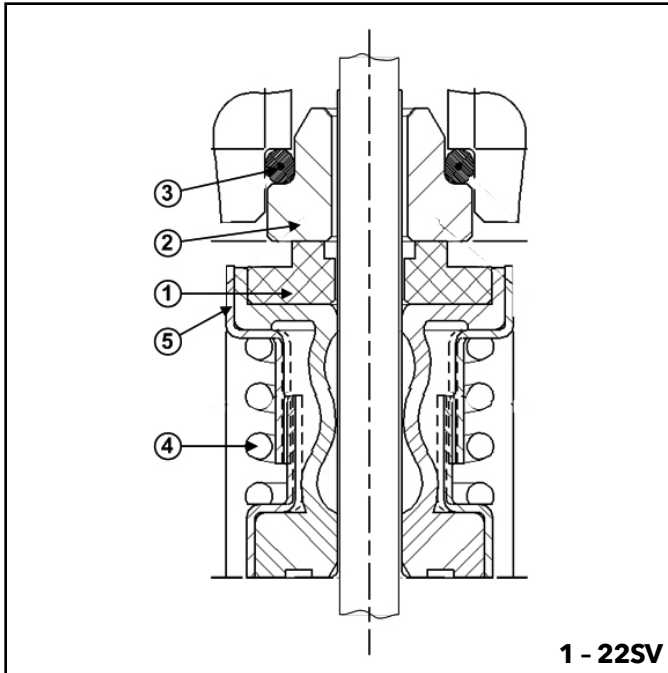
Ref. No.	Name	Material	Reference Standards	
			USA	Europe
1	Pump Body	Cast Iron	ASTM Class 35/40B	EN 1561-GJL-250 (JL1040)
2	Impeller	Stainless Steel	AISI 304	EN 10088-1-X5-CrNi18-10 (1.4301)
3	Diffuser	Stainless Steel	AISI 304	EN 10088-1-X5-CrNi18-10 (1.4301)
4	Casing	Stainless Steel	AISI 316L	EN 10088-1-X2-CrNiMo17-12-2 (1.4404)
5	Shaft	Duplex Stainless Steel	UNS S 31803	EN 10088-1-X17-CrNiMoN22-5-3 (1.4507)
6	Adapter (up to 40HP)	Cast Iron	ASTM Class 25	EN 1561-GJL-200 (JL1040)
	Adapter (50HP and higher)		ASTM Class A536	EN 1561-GJL-500-7 (JS1050)
7	Wear Ring	PPS		
8	Coupling (up to 40HP)	Cast Iron	A384.0-F	EN 1706-AC-AISI11Cu2(Fe)(AC46100)
	Coupling (50HP and higher)			
9-9A	Upper Head / Seal Housing	Cast Iron	ASTM Class 35/40B	EN 1561-GJL-250 (JL1040)
10	Mechanical Seal	Silicon Carbide / Carbon / Viton (opt. EPDM)		
11	Elastomers	Viton (opt. EPDM)		
12	Coupling Guard	Stainless Steel	AISI 304	EN 10088-1-X5-CrNi18-10 (1.4301)
13	Shaft Sleeve and Bushing	Tungsten Carbide		
14	Bushing for Diffuser	Carbon		
15	Fill/Drain Plugs	Stainless Steel	AISI 316	EN 10088-1-X2-CrNiMo17-12-2 (1.4401)
16	Tie Rods	Carbon Steel / Zinc Plated	A29 Gr. 1045	EN 10277
17	Adapter Ring	Stainless Steel	AISI 304	EN 10088-1-X5-CrNi18-10 (1.4301)

N VERSIONS

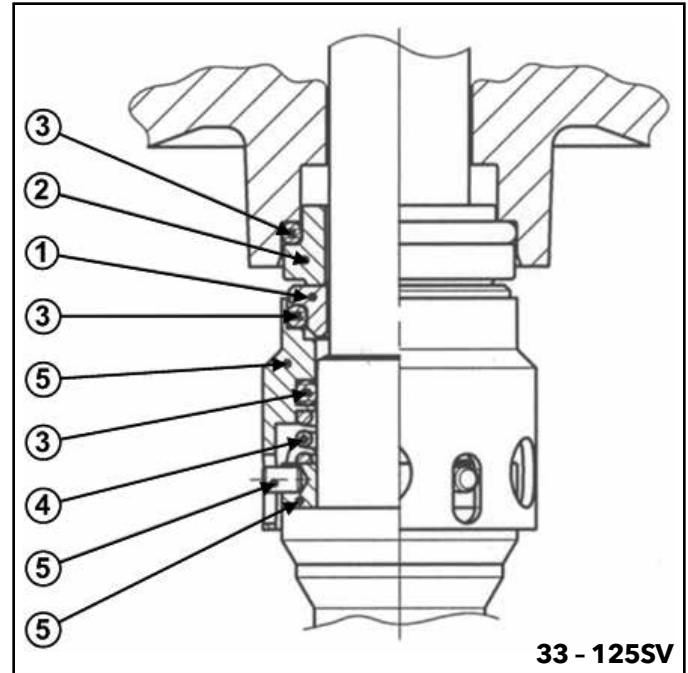
Ref. No.	Name	Material	Reference Standards	
			USA	Europe
1	Pump Body	Stainless Steel	AISI 316	EN 10088-1-X2-CrNiMo17-12-2 (1.4401)
2	Impeller	Stainless Steel	AISI 316	EN 10088-1-X2-CrNiMo17-12-2 (1.4401)
3	Diffuser	Stainless Steel	AISI 316	EN 10088-1-X2-CrNiMo17-12-2 (1.4401)
4	Casing	Stainless Steel	AISI 316L	EN 10088-1-X2-CrNiMo17-12-2 (1.4404)
5	Shaft	Duplex Stainless Steel	UNS S 31803	EN 10088-1-X17-CrNiMoN22-5-3 (1.4507)
6	Adapter (up to 40HP)	Cast Iron	ASTM Class 25	EN 1561-GJL-200 (JL1040)
	Adapter (50HP and higher)		ASTM Class A536	EN 1561-GJL-500-7 (JS1050)
7	Wear Ring	PPS		
8	Coupling (up to 40HP)	Cast Iron	A384.0-F	EN 1706-AC-AISI11Cu2(Fe)(AC46100)
	Coupling (50HP and higher)			
9-9A	Upper Head / Seal Housing	Stainless Steel	AISI 316	EN 10088-1-X2-CrNiMo17-12-2 (1.4401)
10	Mechanical Seal	Silicon Carbide / Carbon / Viton (opt. EPDM)		
11	Elastomers	Viton (opt. EPDM)		
12	Coupling Guard	Stainless Steel	AISI 304	EN 10088-1-X5-CrNi18-10 (1.4301)
13	Shaft Sleeve and Bushing	Tungsten Carbide		
14	Bushing for Diffuser	Carbon		
15	Fill/Drain Plugs	Stainless Steel	AISI 316	EN 10088-1-X2-CrNiMo17-12-2 (1.4401)
16	Tie Rods	Carbon Steel / Zinc Plated	A29 Gr. 1045	EN 10277
17	Adapter Ring	Stainless Steel	AISI 304	EN 10088-1-X5-CrNi18-10 (1.4301)

Commercial Water

e-SV Mechanical Seals



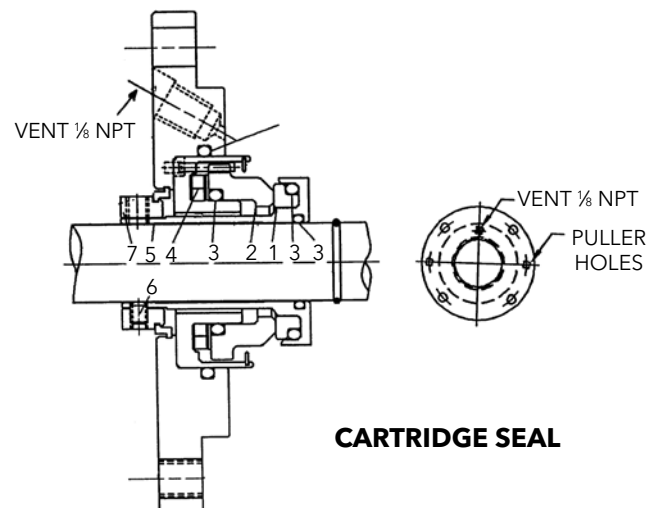
1 - 22SV



33 - 125SV

Pump	Code	Rotating Face 1	Stationary Face 2	Elastomers 3	Spring 4	Metal Components 5	Elastomer Temp Limits °F (°C)	Seal Temp Limits °F (°C)	Max. Working Pressure	Application
1SV thru 22SV	0	Carbon	Silicon Carbide Graphite Filled	Viton	316SS	316SS	-14 - 392°F (-10 - 200°C)	-22 - 250°F	580 psi (40 bar)	General Service
	2	Silicon Carbide Graphite Filled		EPR			-30 - 300°F (-34 - 150°C)			Severe Duty
	4									Severe Duty Boiler Feed
	6	Carbon		AFLAS			-14 - 392°F (-10 - 200°C)			up to 300°F (149°C)
	1	FDA Grade Carbon						Boiler Feed		
33SV thru 125SV	0	Carbon	Silicon Carbide Graphite Filled	Viton	316SS	316SS	-14 - 392°F (-10 - 200°C)	-22 - 250°F (-30 - 120°C)	580 psi (40 bar)	General Service
	2	Silicon Carbide Graphite Filled		EPR			-22 - 250°F (-30 - 120°C)			Severe Duty
	4									Severe Duty Boiler Feed
	6	Carbon		General Service Boiler Feed						

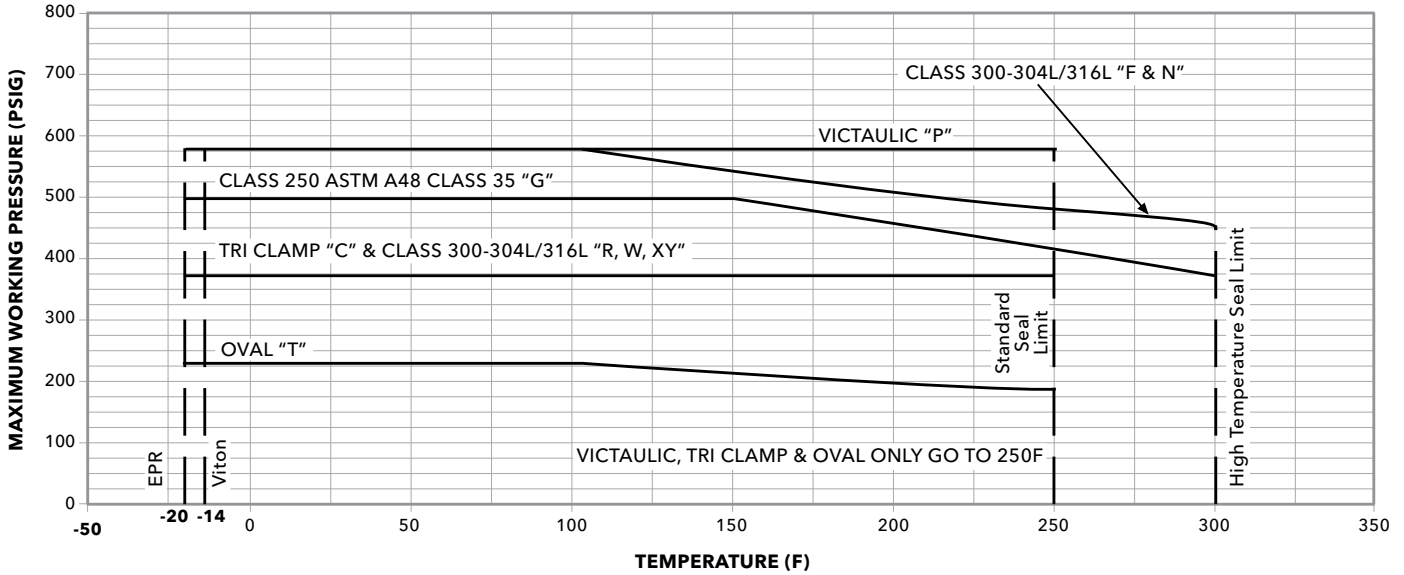
Pump	Rotating Face 1	Stationary Face 2	Elastomers 3	Spring 4	Sleeve 5	Set Screw 6	Locking Collar
33SV	Silicon Carbide	Carbon	Viton	316SS	316SS	300SS	316SS
46SV		Carbon	Viton				
66SV		Silicon Carbide	EPR				
92SV		Silicon Carbide	EPR				



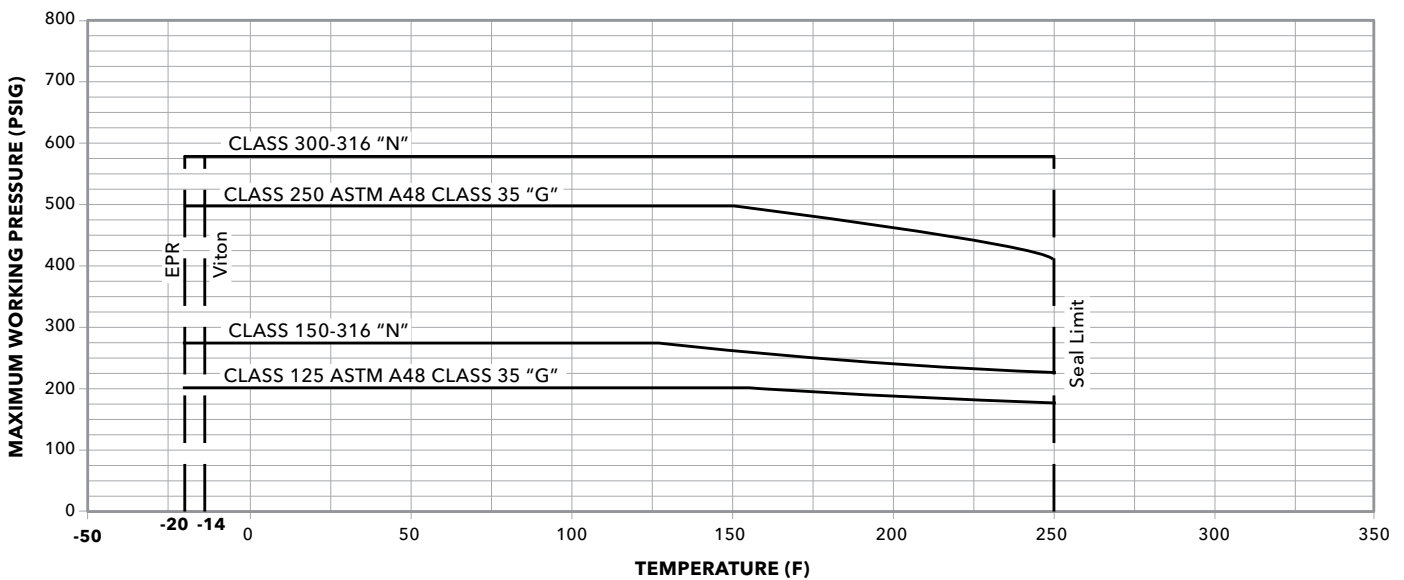
CARTRIDGE SEAL

Maximum Allowable Working Pressure Charts

1SV-22SV



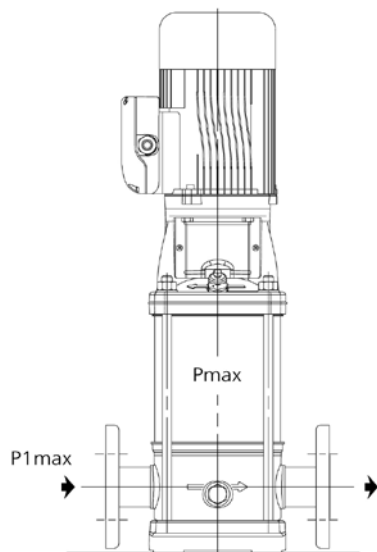
33SV-125SV



Commercial Water

Maximum Inlet Pressure

The following table shows the maximum permissible inlet pressure. However, the actual inlet pressure + pressure against a closed valve must always be lower than the maximum permissible operating pressure.



$$p_{1\max} \leq PN - p_{\max}$$

Having the following meaning of the symbols:

p_{\max} = Maximum pressure delivered by the pump

$p_{1\max}$ = Maximum inlet pressure

PN = Maximum operating pressure

Motor Data - Starts per Hour / Minimum Run Time

HP	Maximum Starts per Hour*	Minimum run time between starts (seconds)
0.5	24	120
0.75	24	120
1	15	75
1.5	13	76
2	12	77
3	9	30
5	8	83
7.5	7	88
10	6	92
15	5	100
20	5	110
25	5	115
30	4	120
40	4	130
50	3	145
60	3	170
75	3	180

NOTE(S)

- 1) Recommended motor starts per hour and minimum run time calculated based on NEMA standards MG1-12.44 in accordance to manufacturers allowable tolerance for heat rise and insulation breakdown.
- 2) Applied voltage and frequency in accordance with NEMA MG1-12.44
- 3) Starts based on NEMA three phase design A and design B AC induction motors.
- 4) External load WK2 is equal to or less than the values listed in NEMA MG1-12.54
- 5) Applicable to all NEMA (JM, JP, T and TC frame) motors used for Goulds Water Technology products.
- 6) Applicable to three phase motors only.

Commercial Water

Motor Data

3500 RPM, 60Hz

HP	Phase	Voltage	FLA	Enclosure	Order No.	SF	Frame Size
½	1	115/208-230	7/4.1-3.5	DP	V04721	1.25	56C
		115/208-230		TEFC	V04722	1.25	
	3	208-230/460	2.6-2/1	DP	V04A32E1BB3S	1.25	
		575	0.8		V04779	1.25	
		208-230/460	1.5/.75	DPE	V04A32E4BB2S	1.25	
		230/460	2.6-2/1	TEFC	V04A32F2BB3S	1.25	
		575	0.8		V04789	1.25	
		208-230/460	1.5/.75	TPE	V04A32E5BB3S	1.25	
		208-230/460	2.4-2.2/1.1	XP	V04A32E3BB1S	1.00	
¾	1	115/208-230	9.4/5.8-4.7	DP	V05721	1.25	
		115/208-230	9.6/6.1-4.8	TEFC	V05A12A2BB3S	1.25	
	3	230/460	2.7-2.6/1.3	DP	V05A32F1BB3S	1.25	
		575	0.96		V05779	1.25	
		208-230/460	2.7-2.6/1.3	DPE	V05A32E4BB2S	1.25	
		208-230/460		TEFC	V05A32E2BB3S	1.25	
		575	.96		V05789	1.25	
		208-230/460	2.5-2.2/1.1	TPE	V05A32E5BB3S	1.25	
		208-230/460	2.7-2.6/1.3	XP	V05A32E3BB1S	1.00	
1	1	115/208-230	15/7.9-7.5	DP	V06721	1.25	
		115/230	12/6	TEFC	V06A12B2BB3S	1.25	
	3	208-230/460	3.7-3.6/1.8	DP	V06A32E1BB3S	1.25	
		575	1.4		V06A32H1BB2S	1.25	
		208-230/460	3.7-3.6/1.8	DPE	V06A32E4BB2S	1.25	
		208-230/460		TEFC	V06A32E2BB3S	1.25	
		575	1.4		V06A32H2BB3S	1.25	
		230/460	2.8/1.4	TPE	V06A32F5BB3S	1.25	
		208-230/460	3.7-3.6/1.8	XP	V06A32E3BB1S	1.00	
1½	1	115/208-230	12.8/7-6.4	DP	V07721	1.15	
		115/208-230	16/8.4-8	TEFC	V07722	1.15	
	3	208-230/460	4.9-4.6/2.3	DP	V07A32E1BB2S	1.15	
		575	1.8		V07A32H1BB2S	1.15	
		208-230/460	4.5-4.2/2.1	DPE	V07741PE	1.15	
		208-230/460	4.9-4.6/2.3	TEFC	V07A32E2BB2S	1.15	
		575	1.8		V07789	1.15	
		208-230/460	4.3-4/2	TPE	V07742PE	1.15	
		208-230/460	5-4.6/2.3	XP	V07743	1.00	

Commercial Water

Motor Data

3500 RPM, 60Hz

HP	Phase	Voltage	FLA	Enclosure	Order No.	SF	Frame Size
2	1	115/208-230	26/12.4-13	DP	V08721	1.15	56C
		115/208-230	23/12-11.5	TEFC	V08722	1.15	
		575	2.2		V08779	1.15	
		208-230/460	5.5-5/2.5	DPE	V08A32E4BB2S	1.15	
		208-230/460	6.2-5.8/2.9	TEFC	V08A32E2BB2S	1.15	
		575	2.2		V08A32H2BB2S	1.15	
		208-230/460	5.4-5/2.5	TPE	V08A32E5BB2S	1.15	
		208-230/460	5.7-5.4/2.7	XP	V08743	1.00	
3	1	208-230	13.9-13	DP	V09721	1.15	56C
		115/208-230	26/13.8-13	TEFC	V09A12A2BB2S	1.15	
		575	3.2		V09A32H1BB2S	1.15	
		230/460	8-7.4/3.7	DPE	V09A32F4BB2S	1.15	
		208-230/460	8.1-7.6/3.8	TEFC	V09A32E2BB2S	1.15	
		575	3		V09A32H2BB2S	1.15	
		208-230/460	7/3.5	TPE	V09A32E5BD2S	1.15	
		208-230/460	7.8-7.4/3.7	XP	V09743	1.00	56C
5	1	208-230	24-23	DP	V10721A	1.15	184TC
		208-230	23.5-21.7	TEFC	V10A12D2BD2S	1.15	
	3	208-230/460	13.1-11.5/5.7	DP	V10A32E1BD2S	1.15	182TC
		575	4.8		V10A32H1BD2S	1.15	
		208-230/460	12.3-11.2/5.6	DPE	V10741APE	1.15	184TC
		208-230/460	13.2-12/6	TEFC	V10A32E2BD2S	1.15	
		575	4.8		V10A32H2BD2S	1.15	
		230/460	11.2/5.6	TPE	V10A32F5BD2S	1.15	
208-230/460	13.2-12/6	XP	V10A32E3BD1S	1.00			
7½	1	230	29	DP	V11721	1.15	213TC
		230	33	TEFC *	V11722	1.15	
	3	208-230/460	19-18/9	DP	V11A32E1BD2S	1.15	184TC
		575	7.2		V11A32H1BB2S	1.15	
		208-230/460	18.5-16.8/8.4	DPE	V11741APE	1.15	
		208-230/460	18.5-17.4/8.7	TEFC	V11A32E2BD2S	1.15	
		575	7		V11A32H2BD2S	1.15	
		230/460	17.8/8.9	TPE	V11742APE	1.15	
230/460	17.6/8.8	XP	V11743A	1.00	184TC		

Commercial Water

Motor Data

3500 RPM, 60Hz

HP	Phase	Voltage	FLA	Enclosure	Order No.	SF	Frame Size
10	1	208-230	48-46	DP	V12A12C1BE2S	1.15	215TC
		208-230	42-40	TEFC *	V12722	1.15	
	3	208-230/460	25.6-23.2/11.6	DP	V12A32E1BE2S	1.15	213TC
			575		10	V12A32H1BE2S	
		208-230/460	24-23/11.5	DPE	V12A32E4BE2S	1.15	215TC
		208-230/460	26.2-23.8/11.9	TEFC	V12A32E2BE2S	1.15	
		575	9.6		V12789	1.15	
		230/460	23.8/11.9	TPE	V12A32F5BE2S	1.15	
		208-230/460	28-26/13	XP	V12743	1.00	
15	208-230/460	39-37/18.5	DP	V13A32E1BE2S	1.15	254TC	
		575		14.5	V13779		1.15
	208-230/460	36.7-34/17	DPE	V13A32E4BE2S	1.15		
	208-230/460	38-35/17.5	TEFC	V13A32E2BK2S	1.15		
	575	14		V13A32H2BK2S	1.15		
	208-230/460	37-34.4/17.2	TPE	V13A32E5BK2S	1.15		
	208-230/460	37-33.6/16.8	XP	V13A32E3BK2S	1.00		
20	230/460	46/23	DP	V14A32F1BK2S	1.15	256TC	
		575		18	V14A32H1BK2S		1.15
	230/460	58/29	DPE	V14A32F4BK2S	1.15		
	208-230/460	50-46/23	TEFC	V14742	1.15		
	575	18.5		V14A32H2BK2S	1.15		
	208-230/460	49-45/22.5	TPE	V14A32E5BK2S	1.15		
	208-230/460	49-45/22.5	XP	V14743	1.00		
25	208-230/460	65-60/30	DP	V15A32E1BK2S	1.15	254TC	
		575		24	V15A32H1BK2S		1.15
	230/460	58/29	DPE	V15A32F4BK2S	1.15	256TC	
	208-230/460	61-57/28.5	TEFC	V15A32E2BL2S	1.15	284TC	
	575	22.5		V15789	1.15		
	208-230/460	60-56/28	TPE	V15742PE	1.15		
	230/460	57/28.5	XP	V15743	1.15		
30	230/460	70/35	DP	V16741	1.15		286TC
		575		27	V16A32H1BB2S	1.15	
	230/460	68/34	DPE	V16A32F4BL2S	1.15		
	208-230/460	74-68/34	TEFC	V16742	1.15		
	575	27		V16A32H2BL2S	1.15		
	208-230/460	76-68/34	TPE	V16A32E5BL2S	1.15		
	208-230/460	74-70/35	XP	V16743	1.15		

Commercial Water

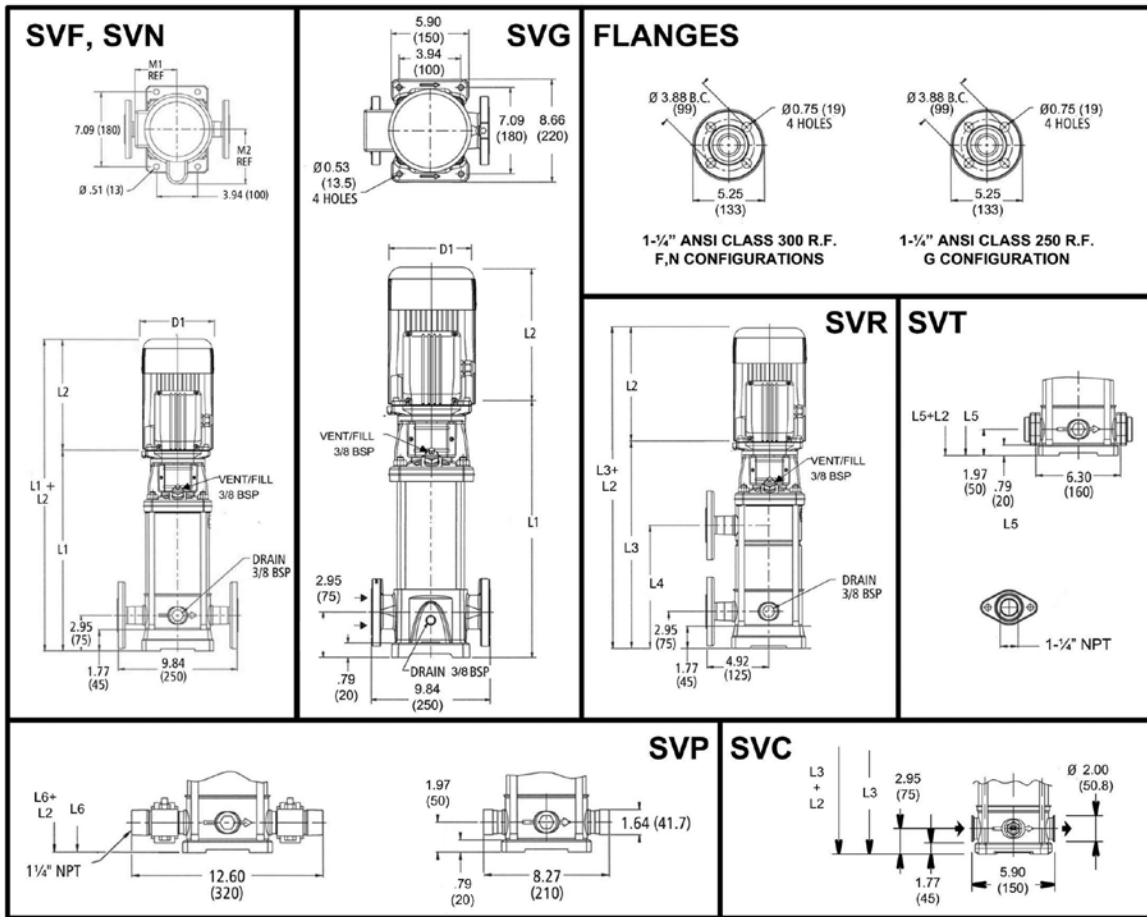
Motor Data

3500 RPM, 60Hz

HP	Phase	Voltage	FLA	Enclosure	Order No.	SF	Frame Size
40		208-230/460	102-96/48	DP	V17741	1.15	286TC
		575	37		V17A32H1BL2S	1.15	
		230/460	90/45	DPE	V17A32F4BL2S	1.15	
		208-230/460	100-90/45	TEFC	V17A32E2BL2S	1.15	
		575	35		V17789	1.15	
		230/460	95.7-88/44	TPE	X17A32F5BM2S	1.15	324TSC
	208-230/460	100-90/45	XP	X17A32F3BM2S	1.15		
50	3	230/460	118/59	DP	V18741S	1.15	324TSC
		575	48		V18779S	1.15	
		230/460	110/55	DPE	V18741SPE	1.15	326TSC
		208-230/460	126-112/56	TEFC	X18A32E2BM2S	1.15	
		575	45		V18789S	1.15	
		208-230/460	119-108/54	TPE	X18A32E5BM2S	1.15	
	230/460	112/56	XP	X18A32F3BM2S	1.15		
60		208-230/460	148-136/68	DP	V19741S	1.15	364TSC
		575	55		V19779S	1.15	
		230/460	130/65	DPE	V19741SPE	1.15	
		230/460	138/69	TEFC	X19A32F2BP2S	1.15	
		575	56		V19789S	1.15	
		208-230/460	150-134/67	TPE	X19A32F5BP2S	1.15	
	230/460	134/67	XP	X19A32F3BP2S	1.15		
75		230/460	176/88	DP	V20741S	1.15	365TSC
		575	75		V20779S	1.15	
		230/460	174/87	DPE	X20A32F4BP2S	1.15	
		208-230/460	182-166/83	TEFC	X20A32F2BP2S	1.15	
		575	67		V20789S	1.15	
		230/460	166/83	TPE	X20A32F5BP2S	1.15	
	230/460	XP		X20A32F3BP2S	1.15		

NOTES:

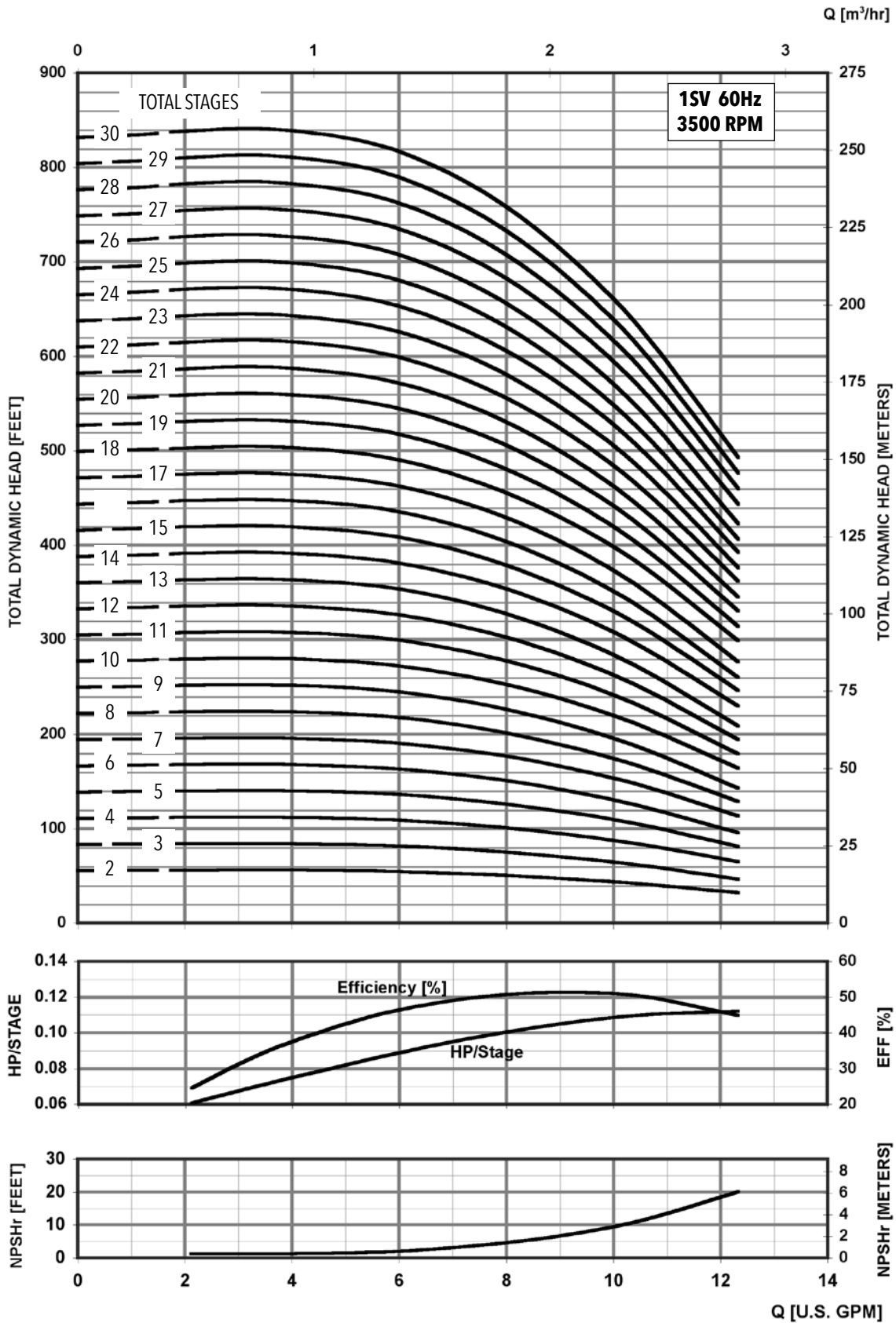
* Standard DP and TE Motors have a 1.15 Service Factor except for 7.5 HP and 10 HP, single-phase, TE Motors which are 1.0 S.F.
 EXPLOSION-PROOF (XP) Motors above have a 1.15 Service Factor, min. Class B insulation, and a UL Class 1, Div. 1, Group D rating.
 For availability consult factory. Goulds Water Technology choice of vendor.



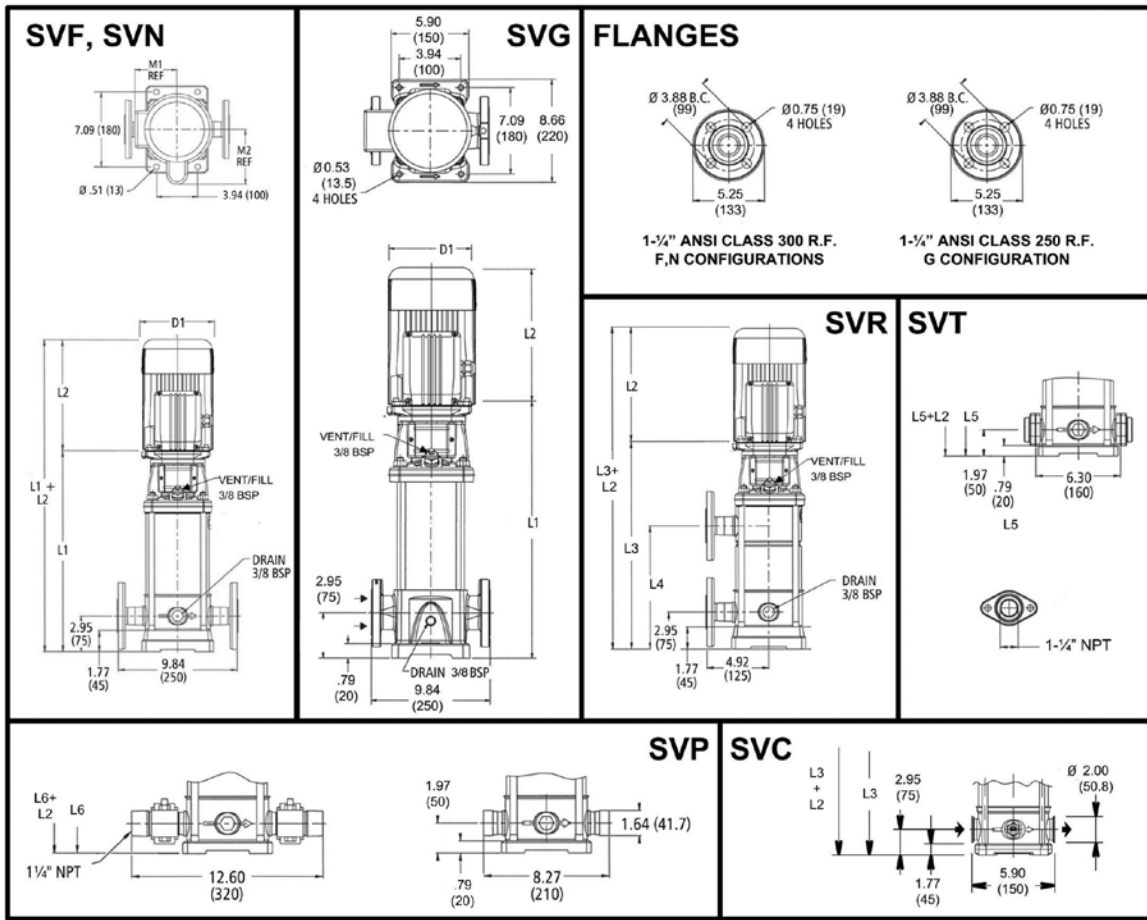
All dimensions are in inches (mm).

1SV SERIES – 60Hz, 3500 RPM ODP/TEFC Enclosures

Pump Type Stages	Motor				Dimensions (in)													Weight (lbs.)											
	HP	NEMA Frame				L1	L2				L3	L4	L5	L6	M (Ref.)	D1 (max.)				D2	Pump Only	Motor				Pump/Motor			
		ODP 10	TEFC 10	ODP 30	TEFC 30		ODP 10	TEFC 10	ODP 30	TEFC 30						ODP 10	TEFC 10	ODP 30	TEFC 30			ODP 10	TEFC 10	ODP 30	TEFC 30	ODP 10	TEFC 10	ODP 30	TEFC 30
1SV-02	0.5	56C	13.27	9.16	9.29	9.16	9.29	-	-	12.29	12.29	5.19	6.19	6.19	6.19	6.19	4.13	25	21	21	19	19	46	46	44	44			
1SV-03			13.27	9.16	9.29	9.16	9.29	-	-	12.29	12.29	5.19	6.19	6.19	6.19	6.19	4.13	26	21	21	19	19	47	47	45	45			
1SV-04			14.06	9.16	9.29	9.16	9.29	-	-	13.07	13.07	5.19	6.19	6.19	6.19	6.19	4.13	27	21	21	19	19	48	48	46	46			
1SV-05	0.75	56C	14.85	9.16	9.29	9.16	9.29	-	-	13.86	13.86	5.19	6.19	6.19	6.19	6.19	4.13	28	21	21	19	19	49	49	47	47			
1SV-06			15.63	10.79	9.91	9.16	9.29	-	-	14.65	14.65	5.19	6.19	6.19	6.19	6.19	4.13	28	27	29	21	21	55	57	49	49			
1SV-07			16.42	10.79	11.91	9.16	9.29	-	-	15.44	15.44	5.19	6.19	6.19	6.19	6.19	4.13	29	27	29	21	21	56	58	50	50			
1SV-08	1	56C	17.21	10.79	9.91	9.16	9.29	17.21	8.94	16.22	16.22	5.19	6.19	6.19	6.19	6.19	4.13	30	27	29	21	21	57	59	51	51			
1SV-09			18.00	10.66	11.19	9.16	9.29	18.00	9.72	17.01	17.01	5.74	6.19	7.19	6.19	6.19	4.13	31	32	40	23	23	63	71	54	54			
1SV-10			18.78	10.66	11.19	9.16	9.29	18.78	10.51	17.80	17.80	5.74	6.19	7.19	6.19	6.19	4.13	32	32	40	23	23	64	72	55	55			
1SV-11	1.5	56C	19.57	10.67	11.19	10.66	9.91	19.57	11.30	18.59	18.59	5.74	6.19	7.19	6.19	6.19	4.72	33	32	40	30	28	65	73	63	61			
1SV-12			20.36	10.67	11.19	10.66	9.91	20.36	12.09	19.37	19.37	5.74	6.19	7.19	6.19	6.19	4.72	34	32	40	30	28	66	74	64	62			
1SV-13			21.14	10.67	11.19	10.66	9.91	21.14	12.87	20.16	20.16	5.74	6.19	7.19	6.19	6.19	4.72	35	32	40	30	28	67	75	65	63			
1SV-14	2	56C	21.93	10.67	11.19	10.66	9.91	21.93	13.66	20.95	20.95	5.74	6.19	7.19	6.19	6.19	4.72	36	32	40	30	28	68	76	66	64			
1SV-15			22.72	10.67	11.19	10.66	9.91	22.72	14.45	21.74	21.74	5.74	6.19	7.19	6.19	6.19	4.72	37	32	40	30	28	69	77	67	65			
1SV-16			23.51	11.18	12.06	11.16	10.79	23.51	15.24	22.52	22.52	5.74	7.19	7.19	6.19	6.19	4.72	38	43	51	32	33	81	89	70	71			
1SV-17	3	56C	24.29	11.18	12.06	11.16	10.79	24.29	16.02	23.31	23.31	5.74	7.19	7.19	6.19	6.19	4.72	38	43	51	32	33	81	89	70	71			
1SV-18			25.08	11.18	12.06	11.16	10.79	25.08	16.81	24.10	24.10	5.74	7.19	7.19	6.19	6.19	4.72	39	43	51	32	33	82	90	71	72			
1SV-19			25.87	11.18	12.06	11.16	10.79	25.87	17.60	24.89	24.89	5.74	7.19	7.19	6.19	6.19	4.72	40	43	51	32	33	83	91	72	73			
1SV-20	3	56C	26.66	11.18	12.06	11.16	10.79	26.66	18.39	-	25.67	5.74	7.19	7.19	6.19	6.19	4.72	41	43	51	32	33	84	92	73	74			
1SV-21			27.44	11.57	13.44	11.18	11.16	27.44	19.17	-	26.46	5.75	6.50	7.19	7.16	7.19	5.51	42	49	64	41	44	91	106	83	86			
1SV-22			28.23	11.57	13.44	11.18	11.16	28.23	19.96	-	27.25	5.75	6.50	7.19	7.16	7.19	5.51	43	49	64	41	44	92	107	84	87			
1SV-23	3	56C	29.02	11.57	13.44	11.18	11.16	29.02	20.75	-	28.03	5.75	6.50	7.19	7.16	7.19	5.51	45	49	64	41	44	94	109	86	89			
1SV-24			29.81	11.57	13.44	11.18	11.16	29.81	21.54	-	28.82	5.75	6.50	7.19	7.16	7.19	5.51	46	49	64	41	44	95	110	87	90			
1SV-25			30.59	11.57	13.44	11.18	11.16	30.59	22.32	-	29.61	5.75	6.50	7.19	7.16	7.19	5.51	47	49	64	41	44	96	111	88	91			
1SV-26	3	56C	31.38	11.57	13.44	11.18	11.16	31.38	23.11	-	30.40	5.75	6.50	7.19	7.16	7.19	5.51	47	49	64	41	44	96	111	88	91			
1SV-27			32.17	11.57	13.44	11.18	11.16	32.17	23.90	-	31.18	5.75	6.50	7.19	7.16	7.19	5.51	48	49	64	41	44	97	112	89	92			
1SV-28			32.96	11.57	13.44	11.18	11.16	32.96	24.68	-	31.97	5.75	6.50	7.19	7.16	7.19	5.51	49	49	64	41	44	98	113	90	93			
1SV-29	3	56C	34.14	11.57	13.44	11.18	11.16	34.14	25.47	-	33.15	5.75	6.50	7.19	7.16	7.19	5.51	50	49	64	41	44	99	114	91	94			
1SV-30			34.53	11.57	13.44	11.18	11.16	-	-	-	33.55	5.75	6.50	7.19	7.16	7.19	5.51	51	49	64	41	44	100	115	92	95			



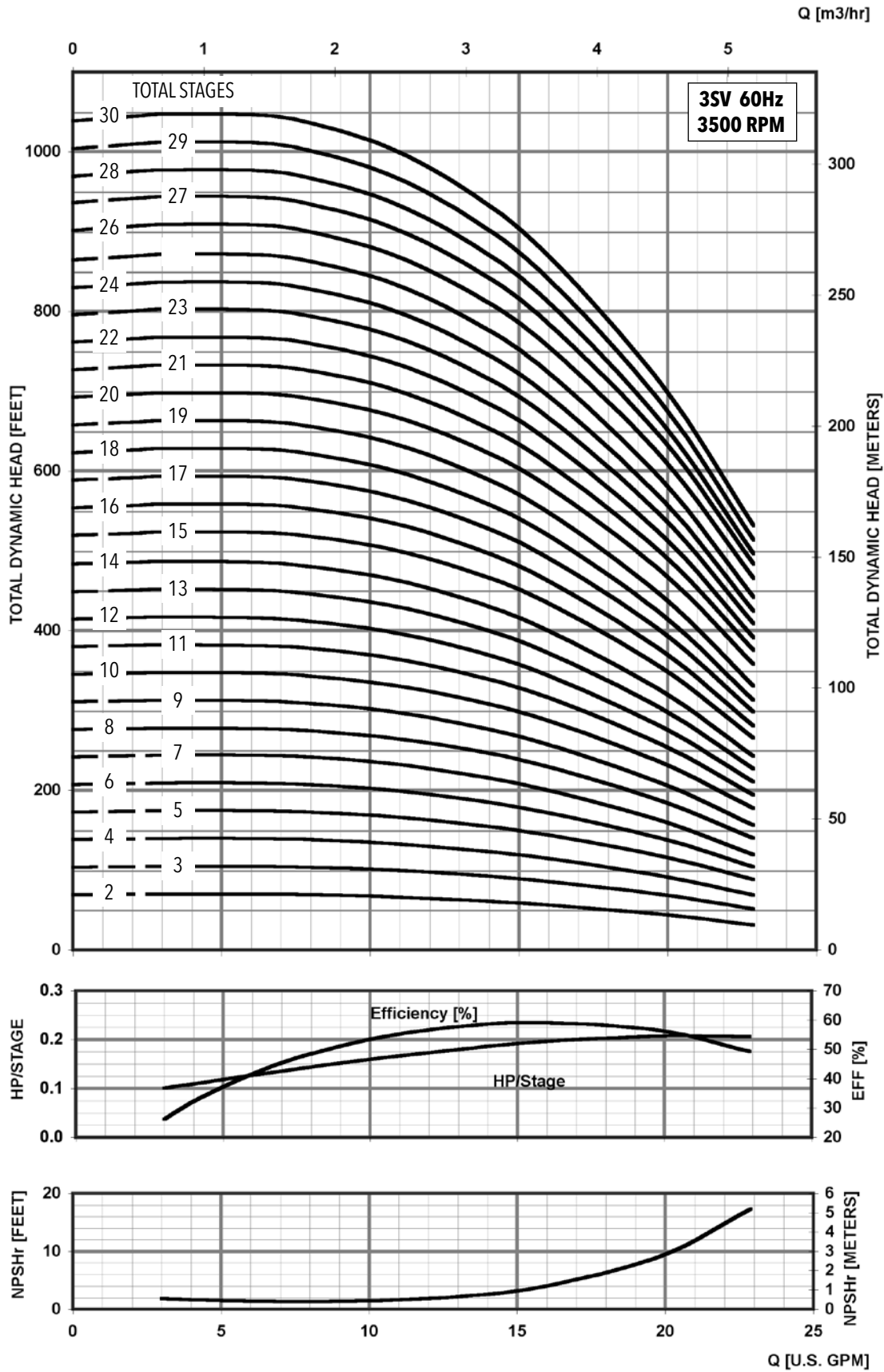
MINIMUM FLOW RATE: 2 GPM [½ m³/hr]



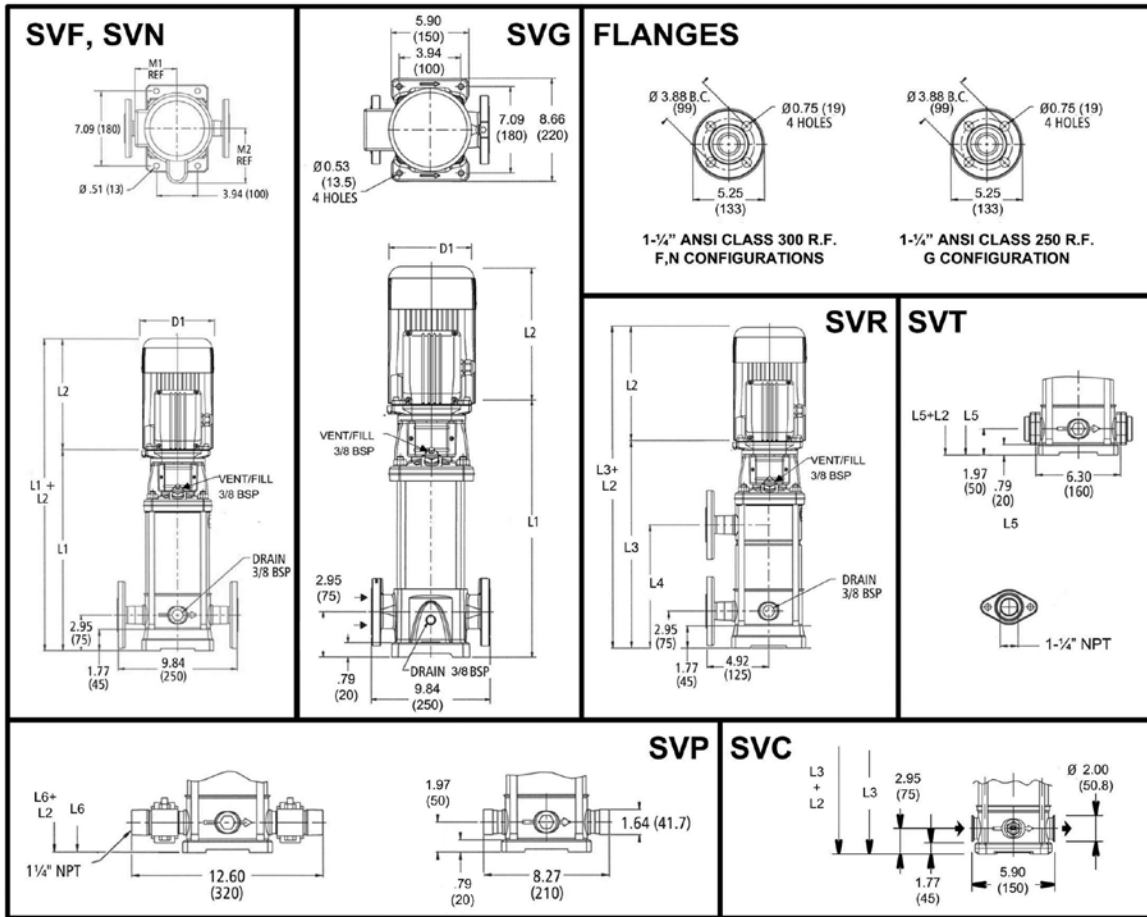
All dimensions are in inches (mm).

3SV SERIES – 60Hz, 3500 RPM ODP/TEFC Enclosures

Pump Type Stages	Motor				Dimensions (in)											Weight (lbs.)													
	HP	NEMA Frame				L1	L2				L3	L4	L5	L6	M (Ref.)	D1 (max.)				D2	Pump Only	Motor				Pump/Motor			
		ODP 1Ø	TEFC 1Ø	ODP 3Ø	TEFC 3Ø		ODP 1Ø	TEFC 1Ø	ODP 3Ø	TEFC 3Ø						ODP 1Ø	TEFC 1Ø	ODP 3Ø	TEFC 3Ø			ODP 1Ø	TEFC 1Ø	ODP 3Ø	TEFC 3Ø	ODP 1Ø	TEFC 1Ø	ODP 3Ø	TEFC 3Ø
3SV-02	0.5	56C				13.27	9.16	9.29	9.16	9.29	-	-	12.29	12.29	5.19	6.19	6.19	6.19	6.19	4.13	24	21	21	19	19	45	45	43	43
3SV-03						13.27	9.16	9.29	9.16	9.29	-	-	12.29	12.29	5.19	6.19	6.19	6.19	6.19	4.13	25	21	21	19	19	46	46	44	44
3SV-04	0.75	56C				14.06	10.79	9.91	9.16	9.29	-	-	13.07	13.07	5.19	6.19	6.19	6.19	6.19	4.13	26	27	29	21	21	53	55	47	47
3SV-05	1					14.85	10.66	11.19	9.16	9.29	-	-	13.86	13.86	5.74	6.19	7.19	6.19	6.19	4.13	27	32	40	23	23	59	67	50	50
3SV-06	1.5	56C				15.63	10.67	11.19	10.66	9.91	-	-	14.65	14.65	5.74	6.19	7.19	6.19	6.19	4.72	28	32	40	30	28	60	68	58	56
3SV-07						16.42	10.67	11.19	10.66	9.91	-	-	15.44	15.44	5.74	6.19	7.19	6.19	6.19	4.72	30	32	40	30	28	62	70	60	58
3SV-08	2	56C				17.21	10.67	11.19	10.66	9.91	17.21	8.94	16.22	16.22	5.74	6.19	7.19	6.19	6.19	4.72	31	32	40	30	28	63	71	61	59
3SV-09						18.00	11.18	12.06	11.16	10.79	18.00	9.72	17.01	17.01	5.74	7.19	7.19	6.19	6.19	4.72	32	43	51	32	33	75	83	64	65
3SV-10	3	56C				18.78	11.18	12.06	11.16	10.79	18.78	10.51	17.80	17.80	5.74	7.19	7.19	6.19	6.19	4.72	33	43	51	32	33	76	84	65	66
3SV-11						19.57	11.18	12.06	11.16	10.79	19.57	11.30	18.59	18.59	5.74	7.19	7.19	6.19	6.19	4.72	34	43	51	32	33	77	85	66	67
3SV-12	3	56C				20.36	11.57	13.44	11.18	11.16	20.36	12.09	19.37	19.37	5.75	6.50	7.19	7.16	7.19	5.51	35	49	64	41	44	84	99	76	79
3SV-13						21.14	11.57	13.44	11.18	11.16	21.14	12.87	20.16	20.16	5.75	6.50	7.19	7.16	7.19	5.51	36	49	64	41	44	85	100	77	80
3SV-14	3	56C				21.93	11.57	13.44	11.18	11.16	21.93	13.66	20.95	20.95	5.75	6.50	7.19	7.16	7.19	5.51	37	49	64	41	44	86	101	78	81
3SV-15						22.72	11.57	13.44	11.18	11.16	22.72	14.45	-	21.74	5.75	6.50	7.19	7.16	7.19	5.51	38	49	64	41	44	87	102	79	82
3SV-16	5	184TC				23.51	11.57	13.44	11.18	11.16	23.51	15.24	-	22.52	5.75	6.50	7.19	7.16	7.19	5.51	39	49	64	41	44	88	103	80	83
3SV-17						24.99	13.93	15.43	12.55	13.93	24.99	16.02	-	24.01	6.87	8.88	8.86	9.02	8.86	5.51	42	81	92	62	69	123	134	104	111
3SV-18	5	184TC				25.78	13.93	15.43	12.55	13.93	25.78	16.81	-	24.80	6.87	8.88	8.86	9.02	8.86	5.51	43	81	92	62	69	124	135	105	112
3SV-19						26.57	13.93	15.43	12.55	13.93	26.57	17.60	-	25.59	6.87	8.88	8.86	9.02	8.86	5.51	43	81	92	62	69	124	135	105	112
3SV-20	5	184TC				27.36	13.93	15.43	12.55	13.93	27.36	18.39	-	26.37	6.87	8.88	8.86	9.02	8.86	5.51	44	81	92	62	69	125	136	106	113
3SV-21						28.14	13.93	15.43	12.55	13.93	28.14	19.17	-	27.16	6.87	8.88	8.86	9.02	8.86	5.51	45	81	92	62	69	126	137	107	114
3SV-22	5	184TC				28.93	13.93	15.43	12.55	13.93	28.93	19.96	-	27.95	6.87	8.88	8.86	9.02	8.86	5.51	46	81	92	62	69	127	138	108	115
3SV-23						29.72	13.93	15.43	12.55	13.93	29.72	20.75	-	28.73	6.87	8.88	8.86	9.02	8.86	5.51	47	81	92	62	69	128	139	109	116
3SV-24	5	184TC				30.51	13.93	15.43	12.55	13.93	-	-	-	29.52	6.87	8.88	8.86	9.02	8.86	5.51	48	81	92	62	69	129	140	110	117
3SV-25						31.29	13.93	15.43	12.55	13.93	-	-	-	30.31	6.87	8.88	8.86	9.02	8.86	5.51	49	81	92	62	69	130	141	111	118
3SV-26	5	184TC				32.08	13.93	15.43	12.55	13.93	-	-	-	31.10	6.87	8.88	8.86	9.02	8.86	5.51	50	81	92	62	69	131	142	112	119
3SV-27						32.47	13.93	15.43	12.55	13.93	-	-	-	31.49	6.87	8.88	8.86	9.02	8.86	5.51	52	81	92	62	69	133	144	114	121
3SV-28	7.5	213TC				33.26	13.88	15.53	13.93	15.43	-	-	-	32.28	8.05	8.89	10.62	8.88	8.86	5.51	53	100	120	75	85	153	173	128	138
3SV-29						34.44	13.88	15.53	13.93	15.43	-	-	-	33.46	8.05	8.89	10.62	8.88	8.86	5.51	54	100	120	75	85	154	174	129	139
3SV-30	35.23	13.88	15.53	13.93	15.43	-	-	-	34.25	8.05	8.89	10.62	8.88	8.86	5.51	55	100	120	75	85	155	175	130	140					



MINIMUM FLOW RATE: 3 GPM [.68 m³/hr]



All dimensions are in inches (mm).

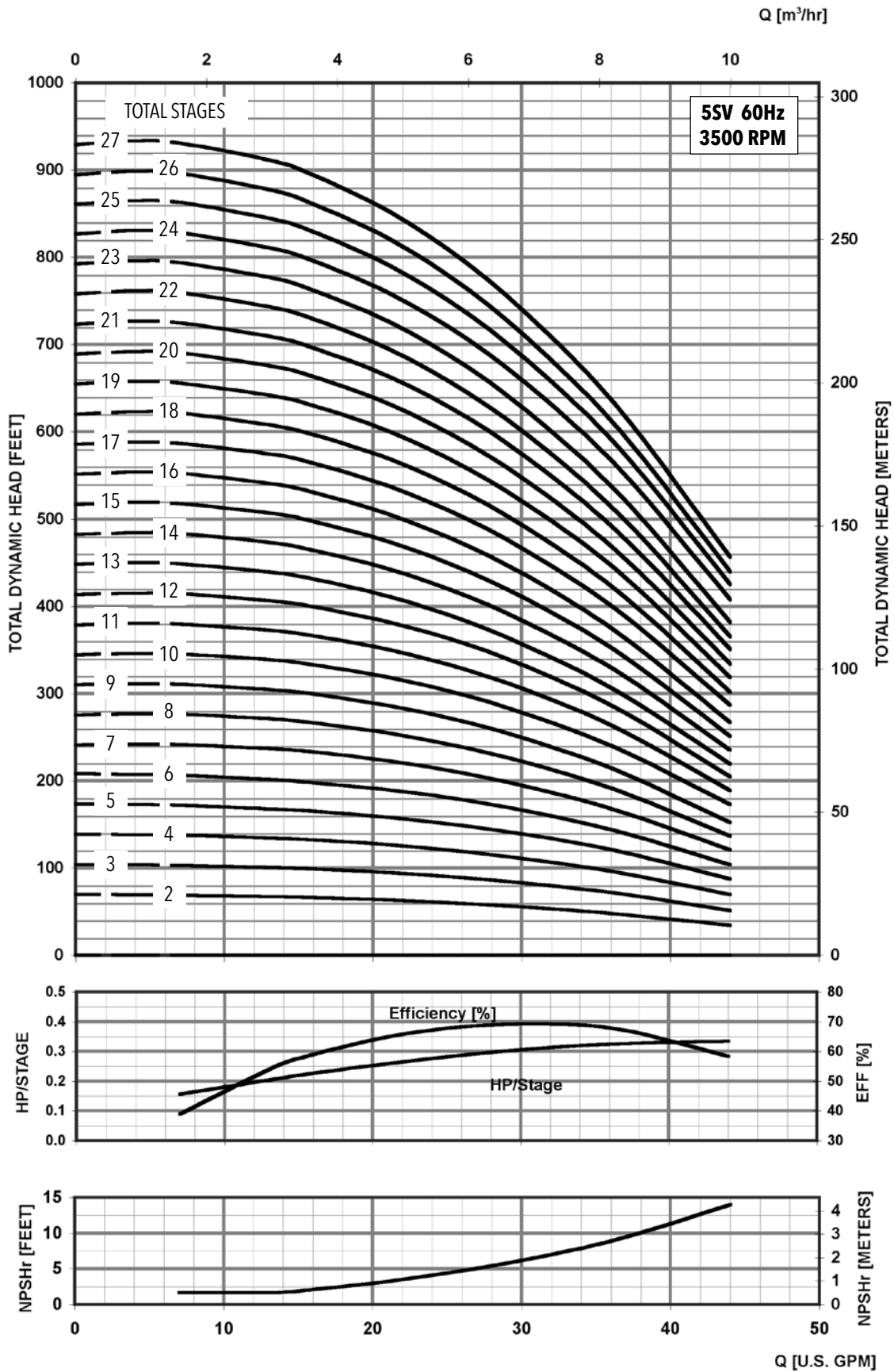
5SV SERIES – 60Hz, 3500 RPM ODP/TEFC Enclosures

Pump Type Stages	HP	Motor				Dimensions (in)														Weight (lbs.)									
		NEMA Frame				L1	L2				L3	L4	L5	L6	M (Ref.)	D1 (max.)				D2	Pump Only	Motor				Pump/Motor			
		ODP 1Ø	TEFC 1Ø	ODP 3Ø	TEFC 3Ø		ODP 1Ø	TEFC 1Ø	ODP 3Ø	TEFC 3Ø						ODP 1Ø	TEFC 1Ø	ODP 3Ø	TEFC 3Ø			ODP 1Ø	TEFC 1Ø	ODP 3Ø	TEFC 3Ø	ODP 1Ø	TEFC 1Ø	ODP 3Ø	TEFC 3Ø
5SV-02	0.75					13.86	10.79	9.91	9.16	9.29	-	-	12.88	12.88	5.19	6.19	6.19	6.19	6.19	4.13	25	27	29	21	21	52	54	46	46
5SV-03	1					13.86	10.66	11.19	9.16	9.29	-	-	12.88	12.88	5.74	6.19	7.19	6.19	6.19	4.13	26	32	40	23	23	58	66	49	49
5SV-04	1.5					14.85	10.67	11.19	10.66	9.91	-	-	13.86	13.86	5.74	6.19	7.19	6.19	6.19	4.72	28	32	40	30	28	60	68	58	56
5SV-05	2					15.83	10.67	11.19	10.66	9.91	-	-	14.85	14.85	5.74	6.19	7.19	6.19	6.19	4.72	29	32	40	30	28	61	69	59	57
5SV-06	2					16.81	11.18	12.06	11.16	10.79	-	-	15.83	15.83	5.74	7.19	7.19	6.19	6.19	4.72	30	43	51	32	33	73	81	62	63
5SV-07	2					17.80	11.18	12.06	11.16	10.79	17.80	9.53	16.81	16.81	5.74	7.19	7.19	6.19	6.19	4.72	31	43	51	32	33	74	82	63	64
5SV-08	3					18.78	11.57	13.44	11.18	11.16	18.78	10.51	17.80	17.80	5.75	6.50	7.19	7.16	7.19	5.51	33	49	64	41	44	82	97	74	77
5SV-09	3					19.77	11.57	13.44	11.18	11.16	19.77	11.50	18.78	18.78	5.75	6.50	7.19	7.16	7.19	5.51	33	49	64	41	44	82	97	74	77
5SV-10	3					20.75	11.57	13.44	11.18	11.16	20.75	12.48	19.77	19.77	5.75	6.50	7.19	7.16	7.19	5.51	34	49	64	41	44	83	98	75	78
5SV-11	5					22.44	13.93	15.43	12.55	13.93	22.44	13.46	21.45	21.45	6.87	8.88	8.86	9.02	8.86	5.51	37	81	92	62	69	118	129	99	106
5SV-12	5					23.42	13.93	15.43	12.55	13.93	23.42	14.45	22.44	22.44	6.87	8.88	8.86	9.02	8.86	5.51	38	81	92	62	69	119	130	100	107
5SV-13	5					24.40	13.93	15.43	12.55	13.93	24.40	15.43	23.42	23.42	6.87	8.88	8.86	9.02	8.86	5.51	40	81	92	62	69	121	132	102	109
5SV-14	5	184TC		184TC		25.39	13.93	15.43	12.55	13.93	25.39	16.42	24.40	24.40	6.87	8.88	8.86	9.02	8.86	5.51	40	81	92	62	69	121	132	102	109
5SV-15	5	184TC		184TC		26.37	13.93	15.43	12.55	13.93	26.37	17.40	-	25.39	6.87	8.88	8.86	9.02	8.86	5.51	41	81	92	62	69	122	133	103	110
5SV-16	5	184TC		184TC		27.36	13.93	15.43	12.55	13.93	27.36	18.39	-	26.37	6.87	8.88	8.86	9.02	8.86	5.51	43	81	92	62	69	124	135	105	112
5SV-17	5	184TC		184TC		28.54	13.93	15.43	12.55	13.93	28.54	19.37	-	27.55	6.87	8.88	8.86	9.02	8.86	5.51	45	81	92	62	69	126	137	107	114
5SV-18	7.5					29.33	13.88	15.53	13.93	15.43	29.33	20.35	-	28.34	8.05	8.89	10.62	8.88	8.86	5.51	46	100	120	75	85	146	166	121	131
5SV-19	7.5					30.51	13.88	15.53	13.93	15.43	30.51	21.34	-	29.52	8.05	8.89	10.62	8.88	8.86	5.51	47	100	120	75	85	147	167	122	132
5SV-20	7.5					31.69	13.88	15.53	13.93	15.43	31.69	22.32	-	30.70	8.05	8.89	10.62	8.88	8.86	5.51	48	100	120	75	85	148	168	123	133
5SV-21	7.5					32.28	13.88	15.53	13.93	15.43	32.28	23.31	-	31.29	8.05	8.89	10.62	8.88	8.86	5.51	49	100	120	75	85	149	169	124	134
5SV-22	7.5	213TC		184TC		33.34	13.88	15.53	13.93	15.43	33.34	24.29	-	32.36	8.05	8.89	10.62	8.88	8.86	5.51	50	100	120	75	85	150	170	125	135
5SV-23	7.5	213TC		184TC		34.25	13.88	15.53	13.93	15.43	34.25	25.28	-	33.26	8.05	8.89	10.62	8.88	8.86	5.51	51	100	120	75	85	151	171	126	136
5SV-24	7.5	213TC		184TC		35.31	13.88	15.53	13.93	15.43	-	-	-	34.33	8.05	8.89	10.62	8.88	8.86	5.51	53	100	120	75	85	153	173	128	138
5SV-25	7.5	213TC		184TC		36.21	13.88	15.53	13.93	15.43	-	-	-	35.23	8.05	8.89	10.62	8.88	8.86	5.51	53	100	120	75	85	153	173	128	138
5SV-26	7.5	213TC		184TC		37.28	13.88	15.53	13.93	15.43	-	-	-	36.29	8.05	8.89	10.62	8.88	8.86	5.51	54	100	120	75	85	154	174	129	139
5SV-27	10	215TC	213TC	215TC		38.84	16.63	16.68	15.55	15.51	-	-	-	37.86	8.77	10.62	10.18	10.18	10.28	5.51	62	132	145	107	122	194	207	169	184

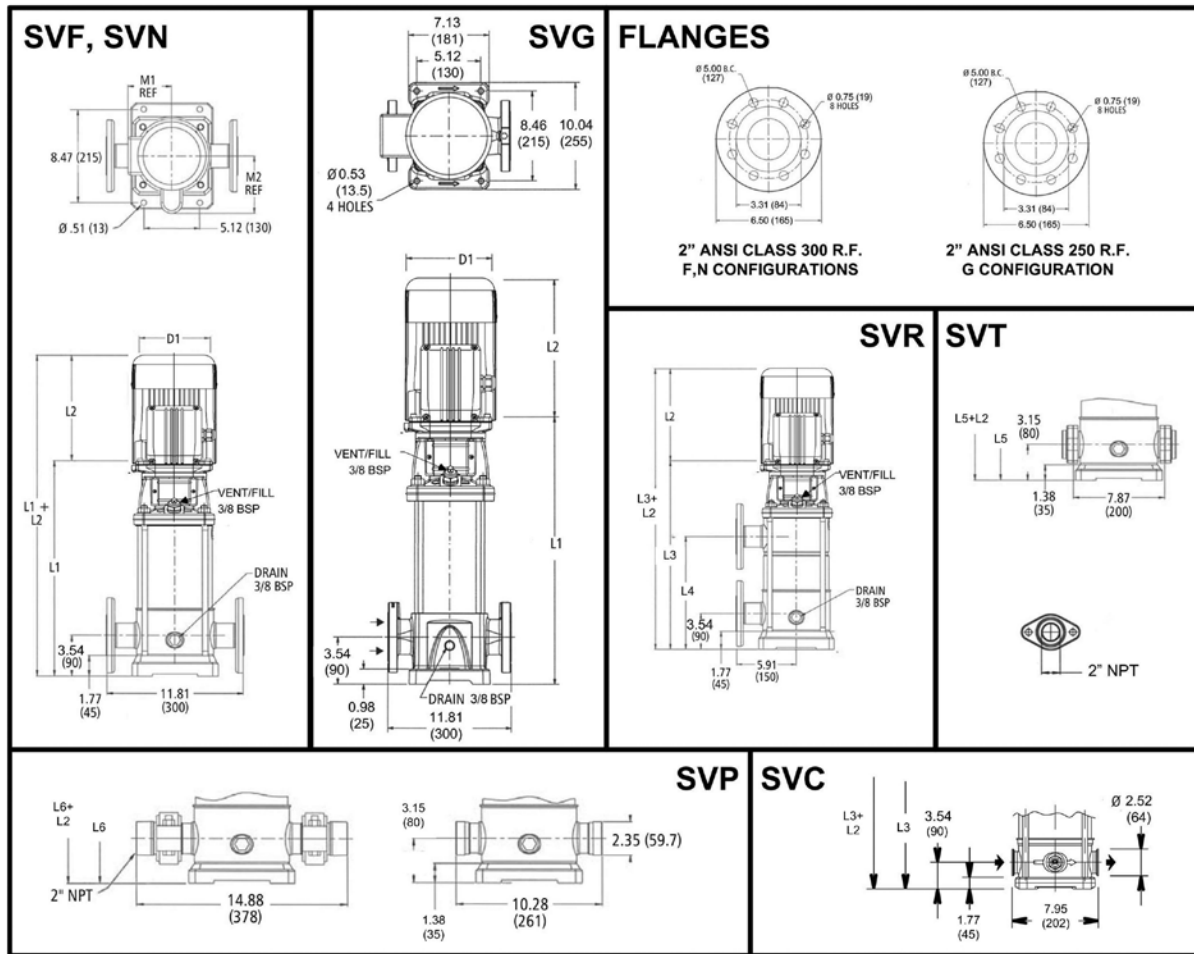
Performance Curve

5SV 3500 RPM

60 Hz



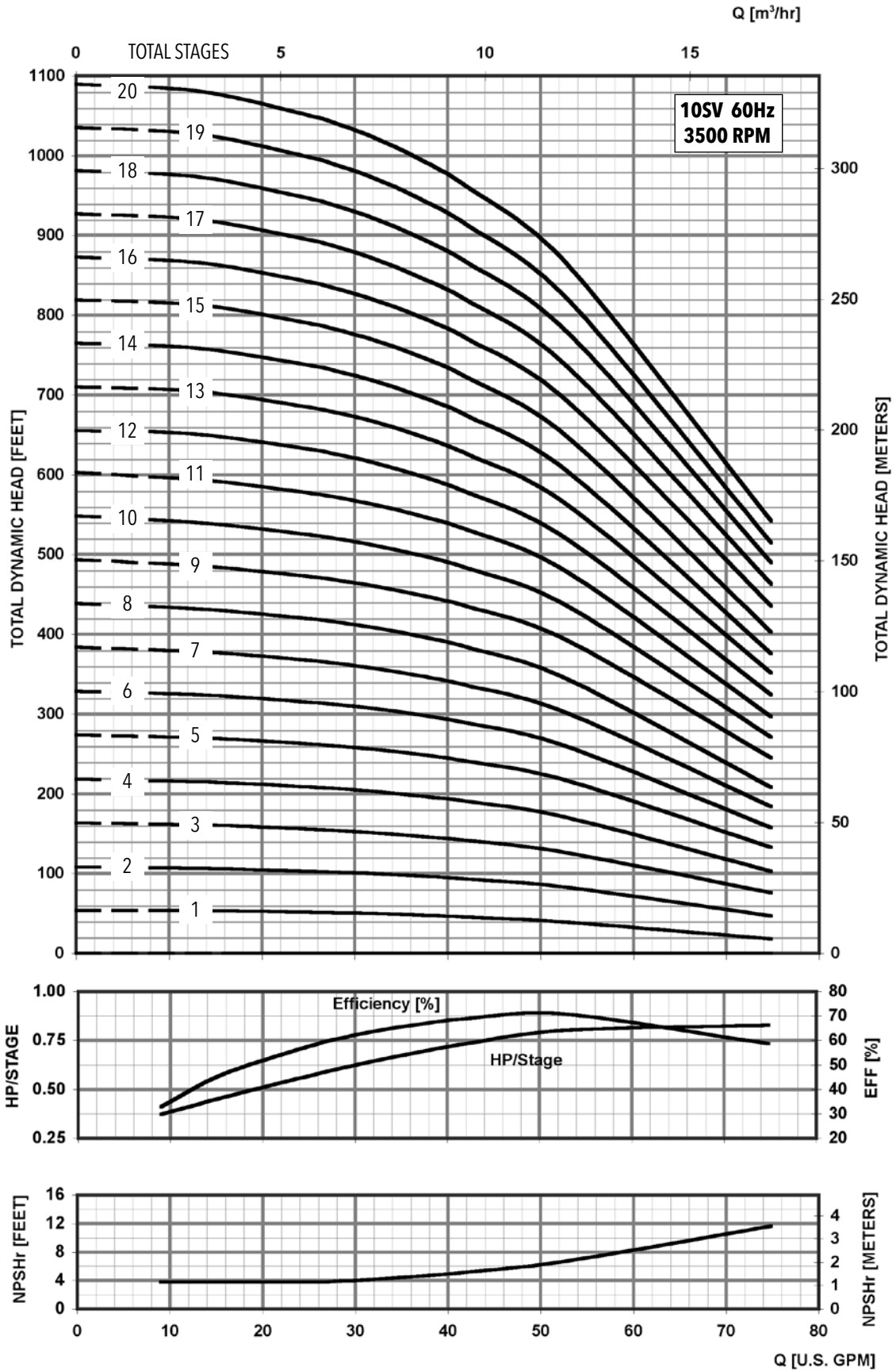
MINIMUM FLOW RATE: 7 GPM [1.6 m³/hr]

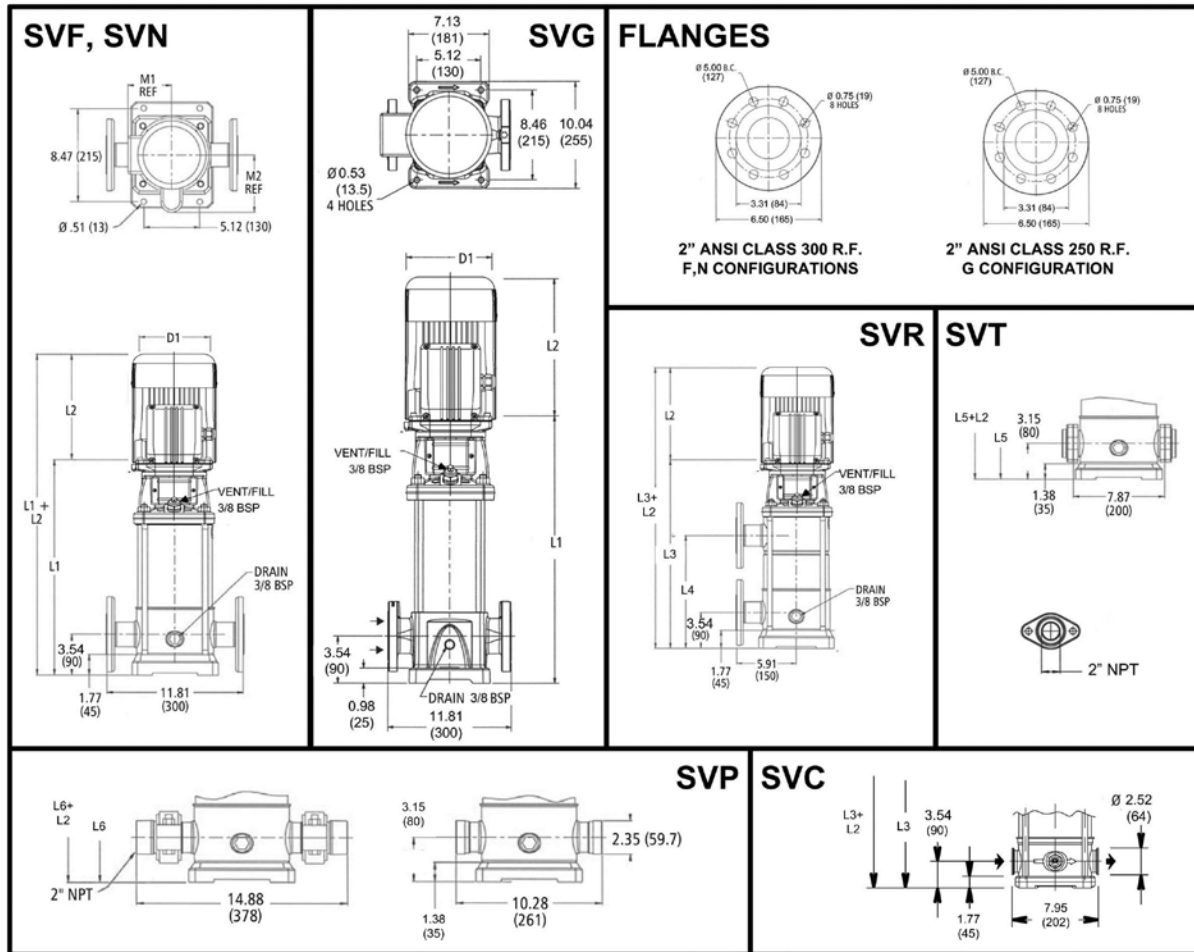


All dimensions are in inches (mm).

10SV SERIES – 60Hz, 3500 RPM ODP/TEFC Enclosures

Pump Type Stages	Motor				Dimensions (in)												Weight (lbs.)											
	HP	NEMA Frame			L1	L2				L3	L4	L5	L6	M (Ref.)	D1 (max.)				D2	Pump Only	Motor				Pump/Motor			
		ODP 1Ø	TEFC 1Ø	ODP 3Ø		TEFC 3Ø	ODP 1Ø	TEFC 1Ø	ODP 3Ø						TEFC 3Ø	ODP 1Ø	TEFC 1Ø	ODP 3Ø			TEFC 3Ø	ODP 1Ø	TEFC 1Ø	ODP 3Ø	TEFC 3Ø	ODP 1Ø	TEFC 1Ø	ODP 3Ø
10SV-01	0.75	56C			16.56	10.79	9.91	9.16	9.29	-	-	16.17	16.17	5.19	6.19	6.19	6.19	6.19	4.13	36	27	29	21	21	63	65	57	57
10SV-02	2	56C			16.56	11.18	12.06	11.16	10.79	-	-	16.17	16.17	5.74	7.19	7.19	6.19	6.19	4.72	38	43	51	32	33	81	89	70	71
10SV-03	3	56C			17.82	11.57	13.44	11.18	11.16	-	-	17.43	17.43	5.75	6.50	7.19	7.16	7.19	5.51	40	49	64	41	44	89	104	81	84
10SV-04	5	184TC	182TC	184TC	19.58	13.93	15.43	12.55	13.93	-	-	19.19	19.19	6.87	8.88	8.86	9.02	8.86	5.51	46	81	92	62	69	127	138	108	115
10SV-05	5				20.84	13.93	15.43	12.55	13.93	20.84	10.20	20.45	6.87	8.88	8.86	9.02	8.86	5.51	48	81	92	62	69	129	140	110	117	
10SV-06	5	184TC	182TC	184TC	22.10	13.93	15.43	12.55	13.93	22.10	11.46	21.71	21.71	6.87	8.88	8.86	9.02	8.86	5.51	50	81	92	62	69	131	142	112	119
10SV-07	5				23.36	13.88	15.53	13.93	15.43	23.36	12.72	22.97	8.05	8.89	10.62	8.88	8.86	5.51	52	100	120	75	85	152	172	127	137	
10SV-08	7.5	213TC	184TC	184TC	24.62	13.88	15.53	13.93	15.43	24.62	13.98	24.22	24.22	8.05	8.89	10.62	8.88	8.86	5.51	54	100	120	75	85	154	174	129	139
10SV-09	7.5				25.88	13.88	15.53	13.93	15.43	25.88	15.24	25.48	8.05	8.89	10.62	8.88	8.86	5.51	56	100	120	75	85	156	176	131	141	
10SV-10	10	215TC	213TC	215TC	27.71	16.63	16.68	15.55	15.51	27.71	16.50	-	27.31	8.77	10.62	10.18	10.18	10.28	5.51	66	132	145	107	122	198	211	173	188
10SV-11	10				28.97	16.63	16.68	15.55	15.51	28.97	17.76	-	28.57	8.77	10.62	10.18	10.18	10.28	5.51	68	132	145	107	122	200	213	175	190
10SV-12	10				29.44	16.63	16.68	15.55	15.51	29.44	19.02	-	29.05	8.77	10.62	10.18	10.18	10.28	5.51	70	132	145	107	122	202	215	177	192
10SV-13	10				31.51	16.63	16.68	15.55	15.51	31.51	20.28	-	31.11	8.77	10.62	10.18	10.18	10.28	5.51	75	132	145	107	122	207	220	182	197
10SV-14	15	215TC	254TC	254TC	32.85	16.63	16.68	15.55	15.51	32.85	21.54	-	32.45	8.77	10.62	10.18	10.28	5.51	77	132	145	107	122	209	222	184	199	
10SV-15	15				34.66	-	-	15.55	16.57	-	-	-	34.26	9.22	-	-	10.18	10.28	5.51	84	-	-	125	195	-	-	209	279
10SV-16	15				35.92	-	-	15.55	16.57	-	-	-	35.52	9.22	-	-	10.18	10.28	5.51	86	-	-	125	195	-	-	211	281
10SV-17	15				37.18	-	-	15.55	16.57	-	-	-	36.78	9.22	-	-	10.18	10.28	5.51	88	-	-	125	195	-	-	213	283
10SV-18	15				38.44	-	-	15.55	16.57	-	-	-	38.04	9.22	-	-	10.18	10.28	5.51	90	-	-	125	195	-	-	215	285
10SV-19	15				39.78	-	-	15.55	16.57	-	-	-	39.38	9.22	-	-	10.18	10.28	5.51	92	-	-	125	195	-	-	217	287
10SV-20	20	254TC	256TC	40.96	-	-	16.66	20.08	-	-	-	-	40.56	9.5	-	-	10.18	13.13	5.51	94	-	-	144	285	-	-	238	379

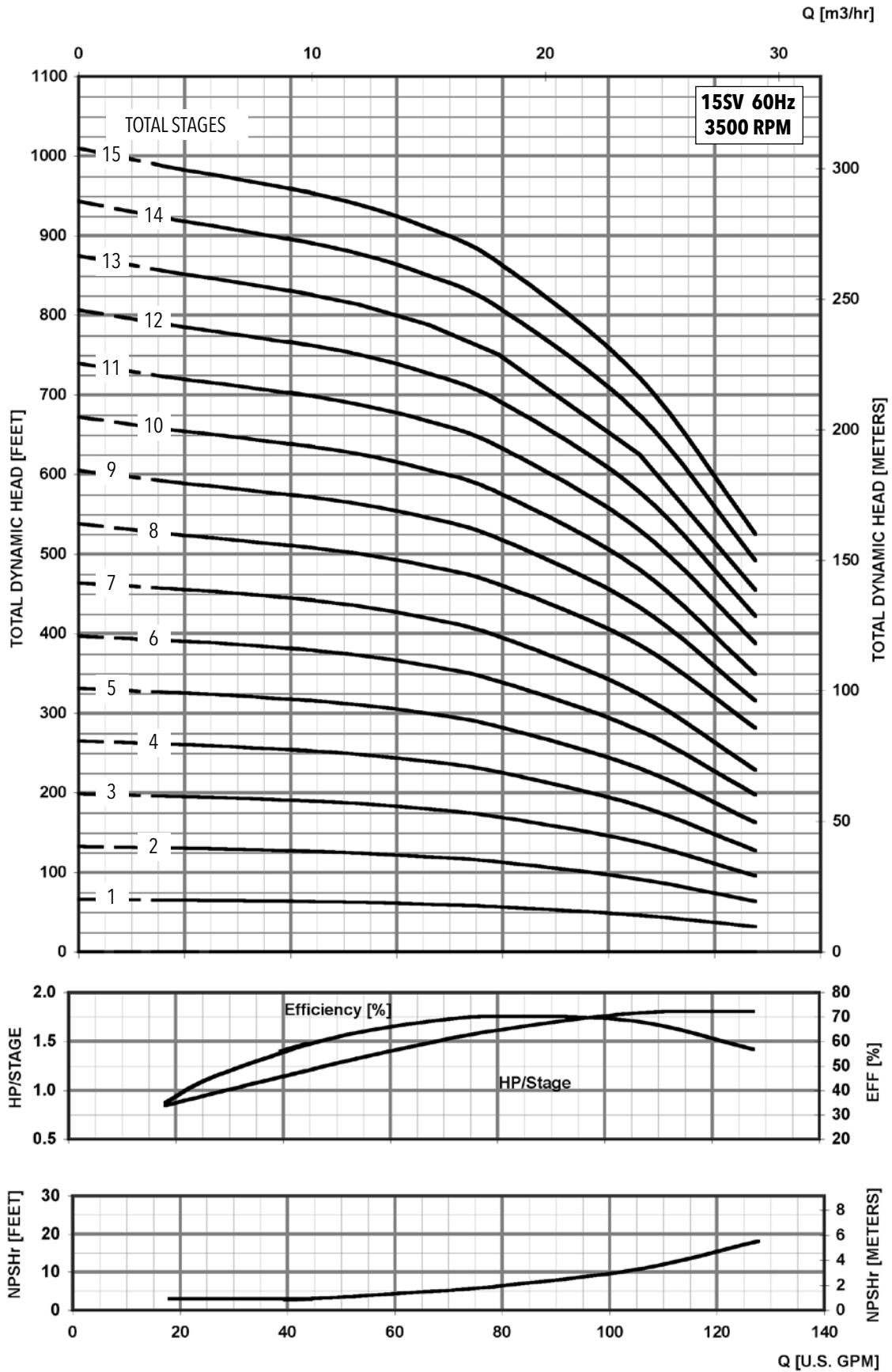


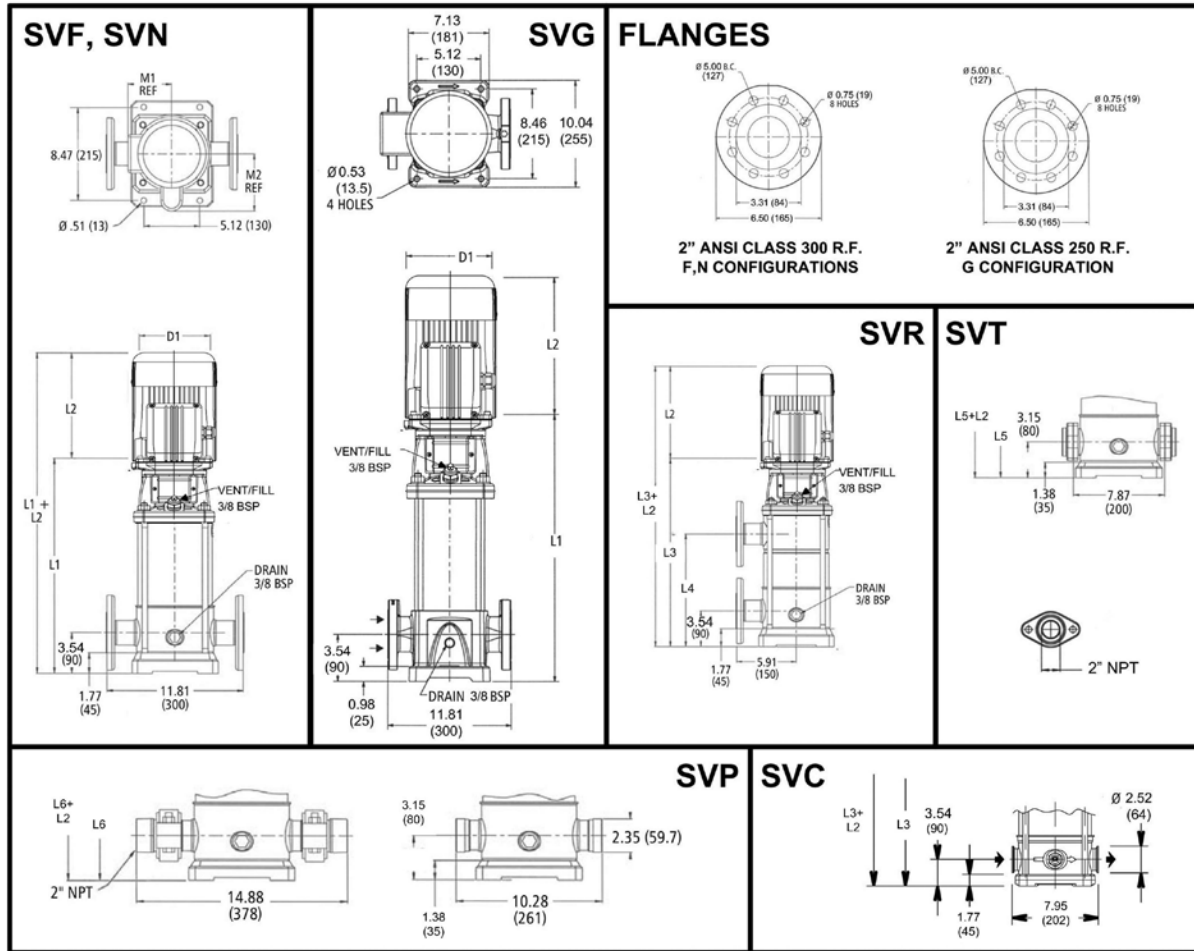


All dimensions are in inches (mm).

15SV SERIES – 60Hz, 3500 RPM ODP/TEFC Enclosures

Pump Type Stages	HP	Motor				Dimensions (in)											Weight (lbs.)												
		NEMA Frame				L1	L2				L3	L4	L5	L6	M (Ref.)	D1 (max.)				D2	Pump Only	Motor				Pump/Motor			
		ODP 1Ø	TEFC 1Ø	ODP 3Ø	TEFC 3Ø		ODP 1Ø	TEFC 1Ø	ODP 3Ø	TEFC 3Ø						ODP 1Ø	TEFC 1Ø	ODP 3Ø	TEFC 3Ø			ODP 1Ø	TEFC 1Ø	ODP 3Ø	TEFC 3Ø	ODP 1Ø	TEFC 1Ø	ODP 3Ø	TEFC 3Ø
15SV-01	2	56C				18.61	11.18	12.06	11.16	10.79	-	-	18.21	18.21	5.74	7.19	7.19	6.19	6.19	4.72	38	43	51	32	33	81	89	70	71
15SV-02	5	184TC	182TC	184TC	18.71	13.93	15.43	12.55	13.93	-	-	18.32	18.32	6.87	8.88	8.86	9.02	8.86	5.51	44	81	92	62	69	125	136	106	113	
15SV-03					20.60	13.93	15.43	12.55	13.93	-	-	20.21	20.21	6.87	8.88	8.86	9.02	8.86	5.51	47	81	92	62	69	128	139	109	116	
15SV-04	7.5	213TC	184TC		22.49	13.88	15.53	13.93	15.43	22.49	11.85	22.10	22.10	8.05	8.89	10.62	8.88	8.86	5.51	50	100	120	75	85	150	170	125	135	
15SV-05	10	215TC	213TC	215TC	24.95	16.63	16.68	15.55	15.51	24.95	13.74	24.56	24.56	8.77	10.62	10.18	10.18	10.28	5.51	59	132	145	107	122	191	204	166	181	
15SV-06					26.86	16.63	16.68	15.55	15.51	26.86	15.63	26.47	26.47	8.77	10.62	10.18	10.18	10.28	5.51	66	132	145	107	122	198	211	173	188	
15SV-07	15	215TC	254TC	254TC	29.38	-	-	15.55	16.57	29.38	17.52	28.99	28.99	9.22	-	-	10.18	10.28	5.51	74	-	-	125	195	-	-	199	269	
15SV-08					31.27	-	-	15.55	16.57	31.27	19.41	-	30.88	9.22	-	-	10.18	10.28	5.51	76	-	-	125	195	-	-	201	271	
15SV-09					33.16	-	-	15.55	16.57	33.16	21.30	-	32.77	9.22	-	-	10.18	10.28	5.51	79	-	-	125	195	-	-	204	274	
15SV-10	20	254TC	256TC	254TC	35.05	-	-	16.66	20.08	35.05	23.19	-	34.66	9.5	-	-	10.18	13.13	5.51	83	-	-	144	285	-	-	227	368	
15SV-11					36.94	-	-	16.66	20.08	36.94	25.08	-	36.55	9.5	-	-	10.18	13.13	5.51	86	-	-	144	285	-	-	230	371	
15SV-12					38.83	-	-	16.66	20.08	-	-	-	38.44	9.5	-	-	10.18	13.13	5.51	89	-	-	144	285	-	-	233	374	
15SV-13					41.35	-	-	21.44	19.54	-	-	-	40.96	12.94	-	-	11.63	12.94	5.51	100	-	-	185	283	-	-	285	383	
15SV-14	25	284TC	284TC	284TC	43.24	-	-	21.44	19.54	-	-	-	42.85	12.94	-	-	11.63	12.94	5.51	103	-	-	185	283	-	-	288	386	
15SV-15					45.13	-	-	21.44	19.54	-	-	-	44.74	12.94	-	-	11.63	12.94	5.51	106	-	-	185	283	-	-	291	389	

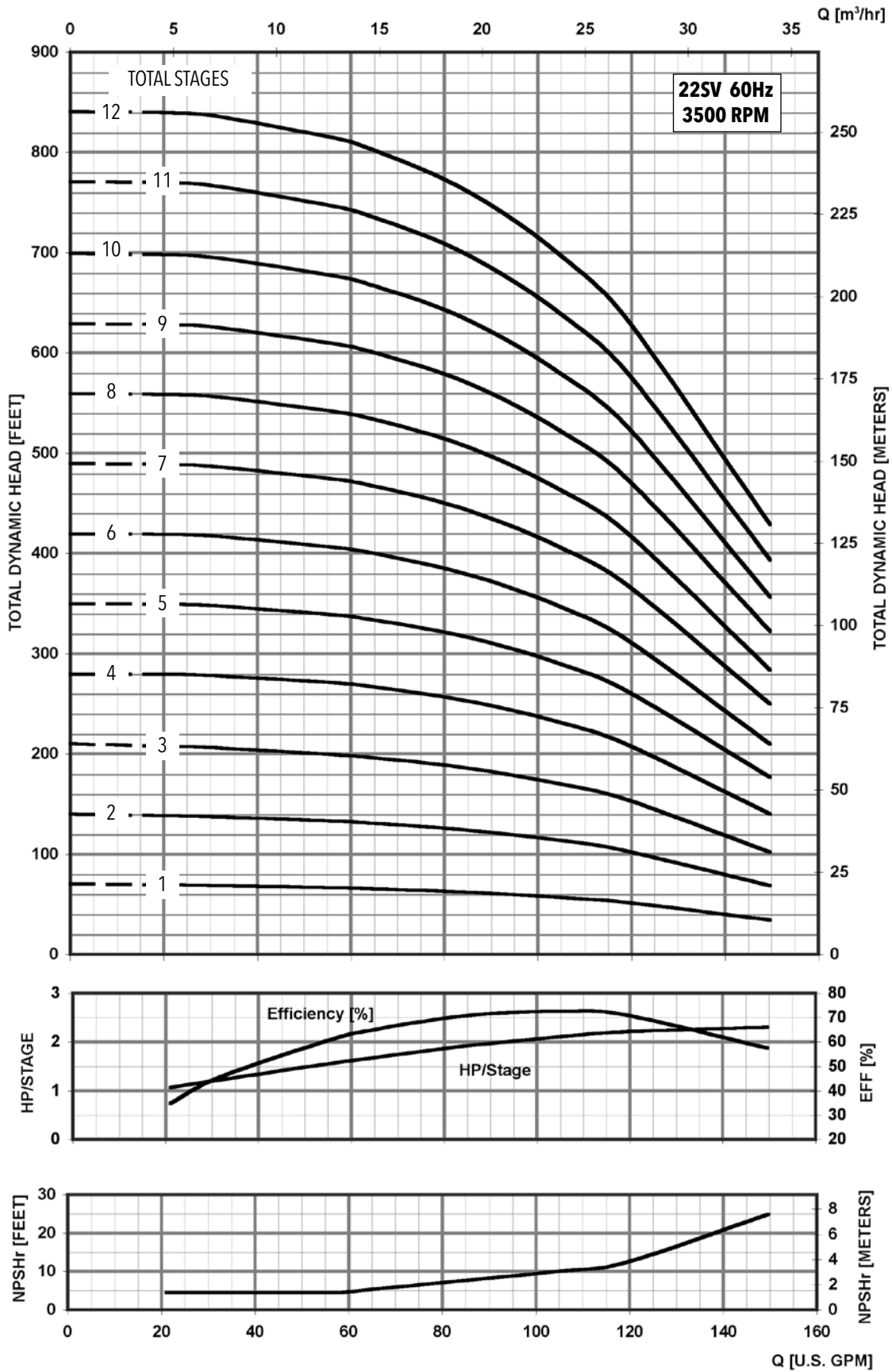




All dimensions are in inches (mm).

22SV SERIES – 60Hz, 3500 RPM ODP/TEFC Enclosures

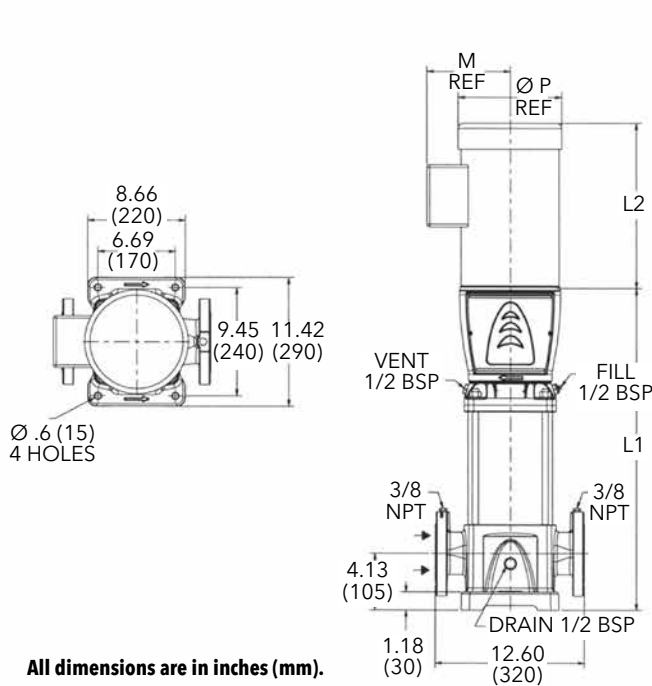
Pump Type Stages	HP	Motor				Dimensions (in)											Weight (lbs.)												
		NEMA Frame				L1	L2				L3	L4	L5	L6	M (Ref.)	D1 (max.)				D2	Pump Only	Motor				Pump/Motor			
		ODP 10	TEFC 10	ODP 30	TEFC 30		ODP 10	TEFC 10	ODP 30	TEFC 30						ODP 10	TEFC 10	ODP 30	TEFC 30			ODP 10	TEFC 10	ODP 30	TEFC 30	ODP 10	TEFC 10	ODP 30	TEFC 30
22SV-01	3	56C				18.61	11.57	13.44	11.18	11.16	-	-	18.21	18.21	5.75	6.50	7.19	7.16	7.19	5.51	39	49	64	41	44	88	103	80	83
22SV-02	5	184TC	182TC	184TC	18.71	13.93	15.43	12.55	13.93	-	-	18.32	18.32	6.87	8.88	8.86	9.02	8.86	5.51	45	81	92	62	69	126	137	107	114	
22SV-03	7.5	213TC	184TC		20.60	13.88	15.53	13.93	15.43	-	-	20.21	20.21	8.05	8.89	10.62	8.88	8.86	5.51	48	100	120	75	85	148	168	123	133	
22SV-04	10	215TC	213TC	215TC	23.06	16.63	16.68	15.55	15.51	23.06	11.85	22.67	22.67	8.77	10.62	10.18	10.18	10.28	5.51	58	132	145	107	122	190	203	165	180	
22SV-05	15	215TC		254TC	25.60	-	-	15.55	16.57	25.60	13.74	25.21	25.21	9.22	-	-	10.18	10.28	5.51	66	-	-	125	195	-	-	191	261	
22SV-06	15	215TC		254TC	27.49	-	-	15.55	16.57	27.49	15.63	27.10	27.10	9.22	-	-	10.18	10.28	5.51	69	-	-	125	195	-	-	194	264	
22SV-07	15	215TC		254TC	29.38	-	-	15.55	16.57	29.38	17.52	28.99	28.99	9.22	-	-	10.18	10.28	5.51	72	-	-	125	195	-	-	197	267	
22SV-08	20	215TC		256TC	31.27	-	-	16.66	20.08	31.27	19.41	-	30.88	9.50	-	-	10.18	13.13	5.51	75	-	-	144	285	-	-	219	360	
22SV-09	20	215TC		256TC	33.16	-	-	16.66	20.08	33.16	21.30	-	32.77	9.50	-	-	10.18	13.13	5.51	77	-	-	144	285	-	-	221	362	
22SV-10	25	215TC		284TC	35.68	-	-	21.44	19.54	35.68	23.19	-	35.29	12.94	-	-	11.63	12.94	5.51	89	-	-	185	283	-	-	274	372	
22SV-11	25	215TC		284TC	37.57	-	-	21.44	19.54	37.57	25.08	-	37.18	12.94	-	-	11.63	12.94	5.51	92	-	-	185	283	-	-	277	375	
22SV-12	25	215TC		284TC	39.46	-	-	21.44	19.54	-	-	-	39.07	12.94	-	-	11.63	12.94	5.51	95	-	-	185	283	-	-	280	378	



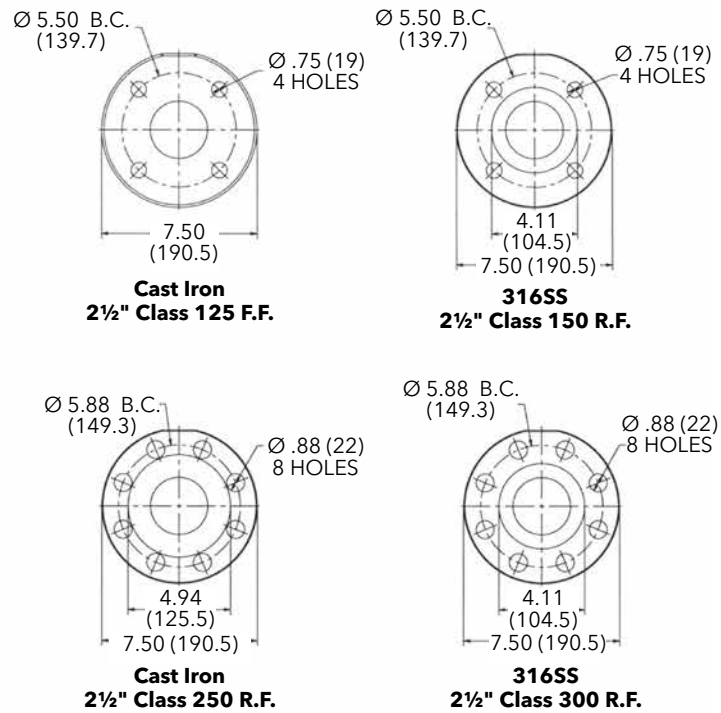
Dimensions and Weights

33SV Series 3500 RPM

60 Hz

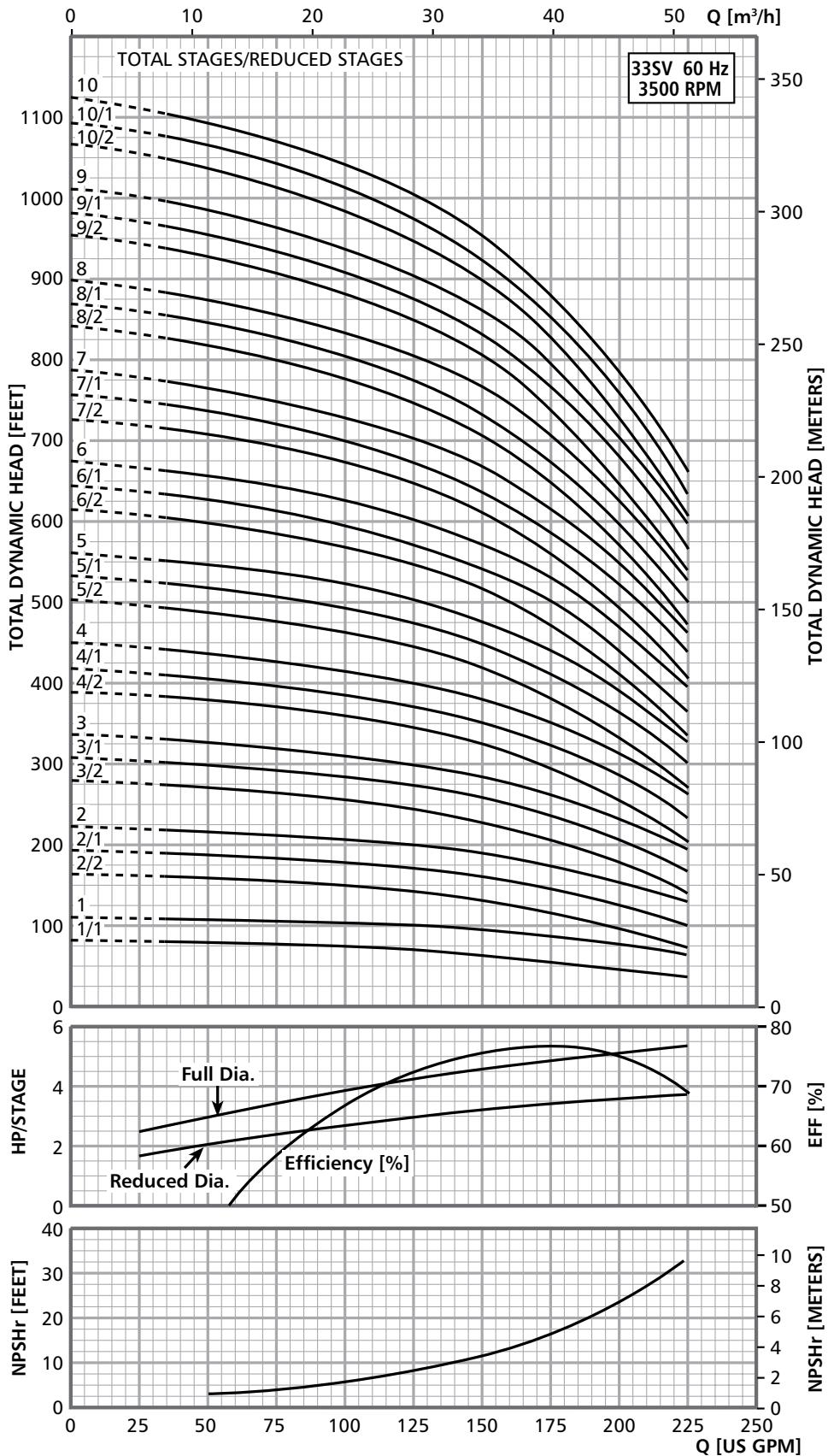


All dimensions are in inches (mm).



33SV SERIES – 60Hz, 3500 RPM ODP/TEFC Enclosures

Pump Type Stages	HP	Motor				Dimensions (in)										Weight (lbs.)									
		NEMA Frame				L1	L2				M (Ref.)	D1 (max.)				D2	Pump Only	Motor				Pump/Motor			
		ODP 1Ø	TEFC 1Ø	ODP 3Ø	TEFC 3Ø		ODP 1Ø	TEFC 1Ø	ODP 3Ø	TEFC 3Ø		ODP 1Ø	TEFC 1Ø	ODP 3Ø	TEFC 3Ø			ODP 1Ø	TEFC 1Ø	ODP 3Ø	TEFC 3Ø	ODP 1Ø	TEFC 1Ø	ODP 3Ø	TEFC 3Ø
33SV-1	5	184TC		182TC	184TC	20.62	13.93	15.43	12.55	13.93	6.87	8.88	8.86	9.02	8.86	5.51	132	81	92	62	69	213	224	194	201
33SV-2/2	7.5	213TC		213TC	184TC	23.58	13.88	15.53	13.93	15.43	8.05	8.89	10.62	8.88	8.86	5.51	143	100	120	75	85	243	263	218	228
33SV-2/1	10	215TC		213TC	215TC	23.58	16.63	16.68	15.55	15.51	8.77	10.62	10.18	10.18	10.28	4.13	143	132	145	107	122	275	288	250	265
33SV-2						23.58	16.63	16.68	15.55	15.51	8.77	10.62	10.18	10.18	10.28	4.13	143	132	145	107	122	275	288	250	265
33SV-3/2	15			215TC	254TC	26.54	-	-	15.55	16.57	9.22	-	-	10.18	10.28	4.72	152	-	-	125	195	-	-	277	347
33SV-3/1						26.54	-	-	15.55	16.57	9.22	-	-	10.18	10.28	4.72	152	-	-	125	195	-	-	277	347
33SV-3						26.54	-	-	15.55	16.57	9.22	-	-	10.18	10.28	4.72	152	-	-	125	195	-	-	277	347
33SV-4/2	20			254TC	256TC	29.50	-	-	16.66	20.08	9.50	-	-	10.18	13.13	5.51	161	-	-	144	285	-	-	305	446
33SV-4/1						29.50	-	-	16.66	20.08	9.50	-	-	10.18	13.13	5.51	161	-	-	144	285	-	-	305	446
33SV-4						29.50	-	-	16.66	20.08	9.50	-	-	10.18	13.13	5.51	161	-	-	144	285	-	-	305	446
33SV-5/2	25			254TC	284TC	32.44	-	-	21.44	19.54	12.94	-	-	11.63	12.94	5.51	172	-	-	185	283	-	-	357	455
33SV-5/1						32.44	-	-	21.44	19.54	12.94	-	-	11.63	12.94	5.51	172	-	-	185	283	-	-	357	455
33SV-5						32.44	-	-	21.44	19.54	12.94	-	-	11.63	12.94	5.51	186	-	-	185	283	-	-	371	469
33SV-6/2	30			284TC		35.40	-	-	21.75	19.54	12.21	-	-	13.25	12.94	5.51	194	-	-	296	382	-	-	490	576
33SV-6/1						35.40	-	-	21.75	19.54	12.21	-	-	13.25	12.94	5.51	194	-	-	296	382	-	-	490	576
33SV-6						35.40	-	-	21.75	19.54	12.21	-	-	13.25	12.94	5.51	194	-	-	296	382	-	-	490	576
33SV-7/2	40			286TC		38.55	-	-	21.75	23.18	13.11	-	-	13.25	15.56	5.51	204	-	-	315	446	-	-	519	650
33SV-7/1						38.55	-	-	21.75	23.18	13.11	-	-	13.25	15.56	5.51	204	-	-	315	446	-	-	519	650
33SV-7						38.55	-	-	21.75	23.18	13.11	-	-	13.25	15.56	5.51	204	-	-	315	446	-	-	519	650
33SV-8/2	40			286TC		41.30	-	-	21.75	23.18	13.11	-	-	13.25	15.56	5.51	221	-	-	315	446	-	-	536	667
33SV-8/1						41.30	-	-	21.75	23.18	13.11	-	-	13.25	15.56	5.51	229	-	-	315	446	-	-	544	675
33SV-8						41.30	-	-	21.75	23.18	13.11	-	-	13.25	15.56	5.51	229	-	-	315	446	-	-	544	675
33SV-9/2	50			324TSC	326TSC	44.25	-	-	22.75	23.19	12.21	-	-	13.03	15.69	5.51	238	-	-	320	450	-	-	558	688
33SV-9/1						44.25	-	-	22.75	23.19	12.21	-	-	13.03	15.69	5.51	238	-	-	320	450	-	-	558	688
33SV-9						44.25	-	-	22.75	23.19	12.21	-	-	13.03	15.69	5.51	238	-	-	320	450	-	-	558	688
33SV-10/2	50			324TSC	326TSC	47.20	-	-	22.75	23.19	12.21	-	-	13.03	15.69	5.51	249	-	-	320	450	-	-	569	699
33SV-10/1						47.20	-	-	22.75	23.19	12.21	-	-	13.03	15.69	5.51	249	-	-	320	450	-	-	569	699
33SV-10						47.20	-	-	22.75	23.19	12.21	-	-	13.03	15.69	5.51	249	-	-	320	450	-	-	569	699

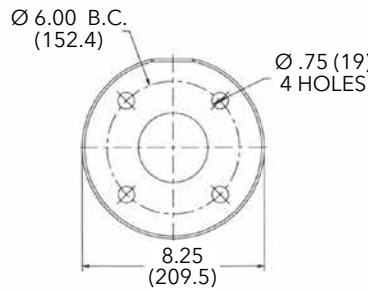
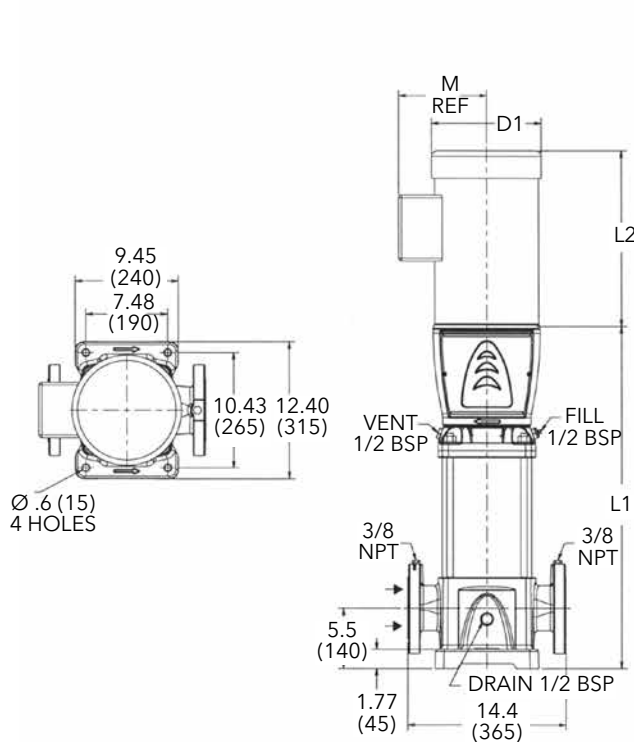


MINIMUM FLOW RATE: 35 GPM [8 m³/hr]

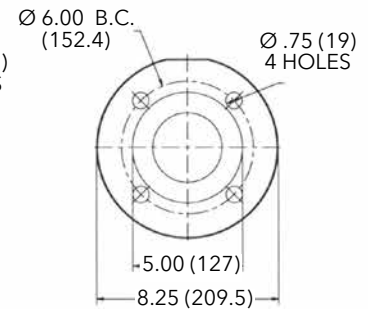
Dimensions and Weights

46SV Series 3500 RPM

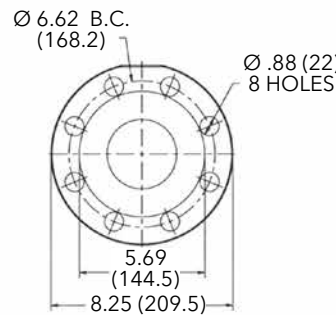
60 Hz



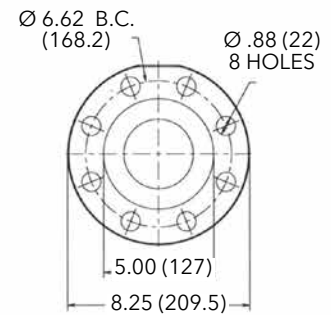
**Cast Iron
3\"/>**



**316SS
3\"/>**



**Cast Iron
3\"/>**

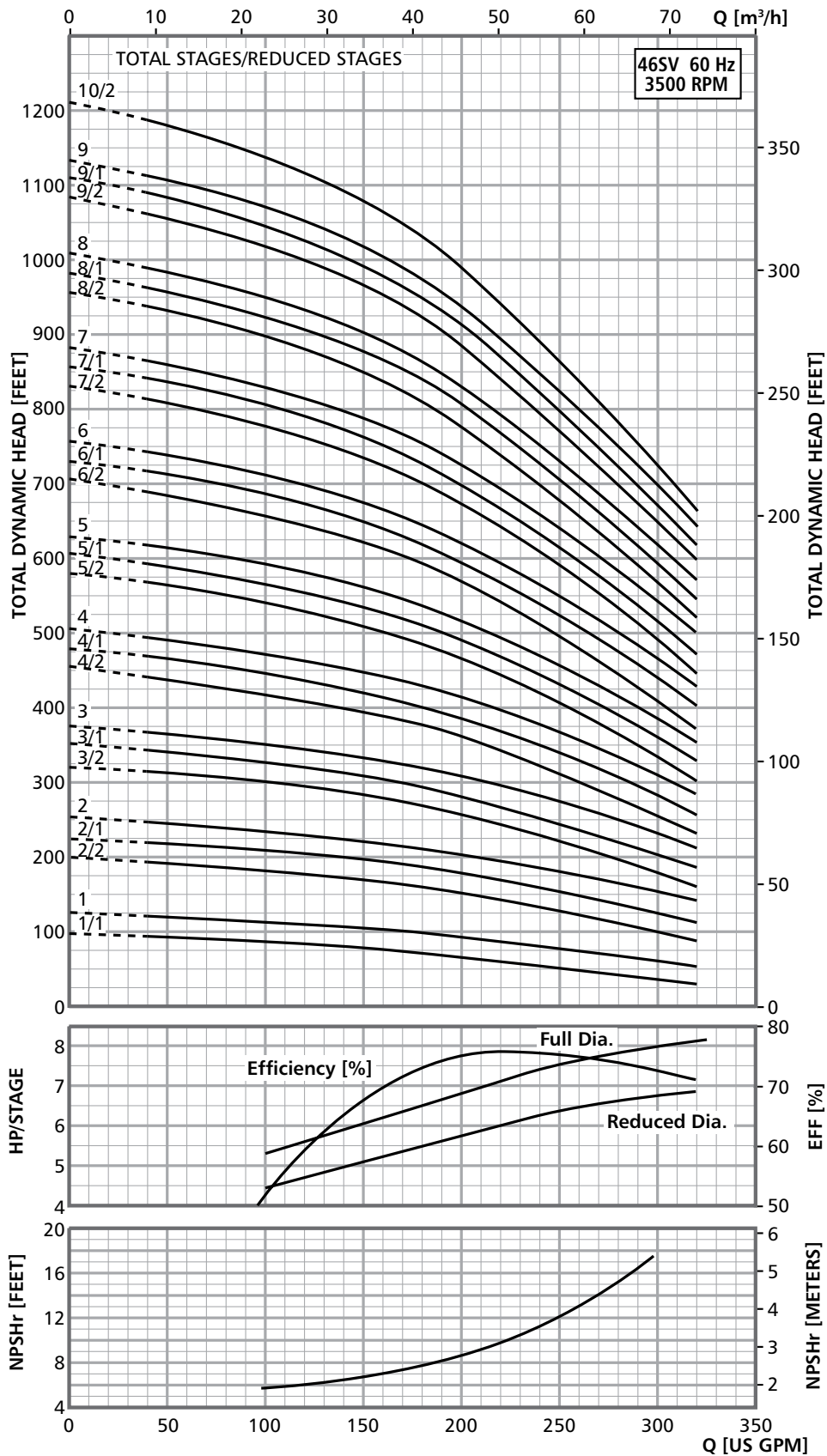


**316SS
3\"/>**

All dimensions are in inches (mm).

46SV SERIES – 60Hz, 3500 RPM ODP/TEFC Enclosures

Pump Type Stages	Motor				Dimensions (in)										Weight (lbs.)										
	HP	NEMA Frame			L1	L2				M (Ref.)	D1 (max.)				D2	Pump Only	Motor				Pump/Motor				
		ODP 1Ø	TEFC 1Ø	ODP 3Ø		TEFC 3Ø	ODP 1Ø	TEFC 1Ø	ODP 3Ø		TEFC 3Ø	ODP 1Ø	TEFC 1Ø	ODP 3Ø			TEFC 3Ø	ODP 1Ø	TEFC 1Ø	ODP 3Ø	TEFC 3Ø	ODP 1Ø	TEFC 1Ø	ODP 3Ø	TEFC 3Ø
46SV-1	10	213TC			215TC	22.19	16.63	16.68	15.55	15.51	8.77	10.62	10.18	10.18	10.28	4.13	174	132	145	107	122	306	319	281	296
46SV-2/2	15	-	-	215TC	254TC	25.19	-	-	15.55	16.57	9.22	-	-	10.18	10.28	4.72	158	-	-	125	195	-	-	283	353
46SV-2/1		-	-			25.19	-	-	15.55	16.57	9.22	-	-	10.18	10.28	4.72	158	-	-	125	195	-	-	283	353
46SV-2		-	-	-	-	25.19	-	-	15.55	16.57	9.22	-	-	10.18	10.28	4.72	158	-	-	125	195	-	-	283	353
46SV-3/2	20	-	-	254TC	256TC	28.12	-	-	16.66	20.08	9.50	-	-	10.18	13.13	5.51	169	-	-	144	285	-	-	313	454
46SV-3/1		-	-			28.12	-	-	16.66	20.08	9.50	-	-	10.18	13.13	5.51	169	-	-	144	285	-	-	313	454
46SV-3		-	-	-	-	28.12	-	-	16.66	20.08	9.50	-	-	10.18	13.13	5.51	169	-	-	144	285	-	-	313	454
46SV-4/2	25	-	-	254TC	284TC	29.63	-	-	21.44	19.54	12.94	-	-	11.63	12.94	5.51	183	-	-	185	283	-	-	368	466
46SV-4/1		-	-			32.63	-	-	21.75	19.54	12.21	-	-	13.25	12.94	5.51	192	-	-	296	382	-	-	488	574
46SV-4		-	-	-	-	32.63	-	-	21.75	19.54	12.21	-	-	13.25	12.94	5.51	192	-	-	296	382	-	-	488	574
46SV-5/2	30	-	-	284TC	286TC	32.63	-	-	21.75	19.54	12.21	-	-	13.25	12.94	5.51	192	-	-	296	382	-	-	488	574
46SV-5/1		-	-			32.63	-	-	21.75	19.54	12.21	-	-	13.25	12.94	5.51	192	-	-	296	382	-	-	488	574
46SV-5		-	-	-	-	32.63	-	-	21.75	19.54	12.21	-	-	13.25	12.94	5.51	192	-	-	296	382	-	-	488	574
46SV-6/2	40	-	-	286TC	286TC	35.56	-	-	21.75	23.18	13.11	-	-	13.25	15.56	5.51	199	-	-	315	446	-	-	514	645
46SV-6/1		-	-			35.56	-	-	21.75	23.18	13.11	-	-	13.25	15.56	5.51	199	-	-	315	446	-	-	514	645
46SV-6		-	-	-	-	35.56	-	-	21.75	23.18	13.11	-	-	13.25	15.56	5.51	199	-	-	315	446	-	-	514	645
46SV-7/2	50	-	-	324TSC	326TSC	38.50	-	-	21.75	23.18	13.11	-	-	13.25	15.56	5.51	208	-	-	315	446	-	-	523	654
46SV-7/1		-	-			38.00	-	-	22.75	23.19	12.21	-	-	13.03	15.69	5.51	216	-	-	320	450	-	-	536	666
46SV-7		-	-	-	-	38.00	-	-	22.75	23.19	12.21	-	-	13.03	15.69	5.51	216	-	-	320	450	-	-	536	666
46SV-8/2	60	-	-	324TSC	326TSC	40.94	-	-	22.75	23.19	12.21	-	-	13.03	15.69	5.51	233	-	-	320	450	-	-	553	683
46SV-8/1		-	-			40.94	-	-	22.75	23.19	12.21	-	-	13.03	15.69	5.51	233	-	-	320	450	-	-	553	683
46SV-8		-	-	-	-	40.94	-	-	22.75	23.19	12.21	-	-	13.03	15.69	5.51	233	-	-	320	450	-	-	553	683
46SV-9/2	75	-	-	364TSC	365TSC	43.94	-	-	22.75	30.69	14.95	-	-	13.03	19.25	5.51	242	-	-	372	689	-	-	614	931
46SV-9/1		-	-			43.94	-	-	22.75	30.69	14.95	-	-	13.03	19.25	5.51	242	-	-	372	689	-	-	614	931
46SV-9		-	-	-	-	43.94	-	-	22.75	30.69	14.95	-	-	13.03	19.25	5.51	242	-	-	372	689	-	-	614	931
46SV-10/2	75	-	-	364TSC	365TSC	46.88	-	-	24.38	30.69	14.95	-	-	15.13	19.25	5.51	253	-	-	447	747	-	-	700	1000
		-	-			46.88	-	-	24.38	30.69	14.95	-	-	15.13	19.25	5.51	253	-	-	447	747	-	-	700	1000
		-	-			49.81	-	-	24.38	30.69	14.95	-	-	15.13	19.25	5.51	264	-	-	447	747	-	-	711	1011

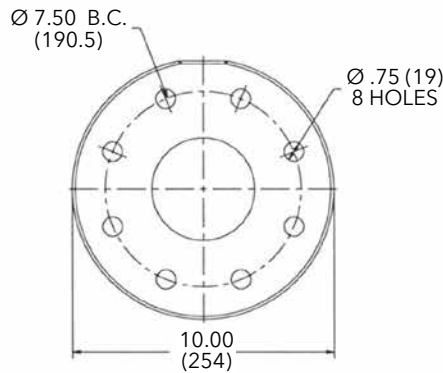
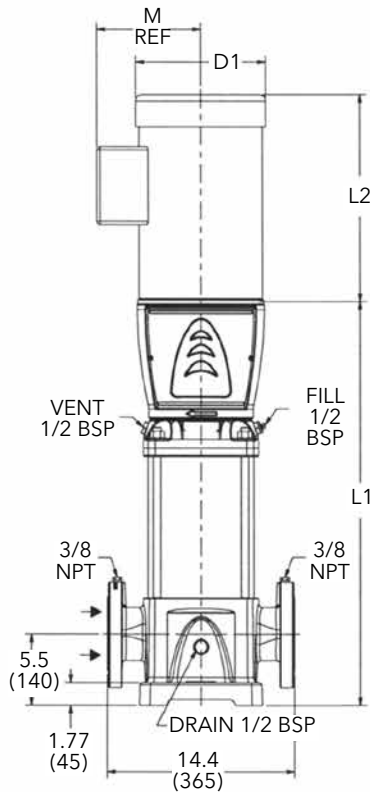
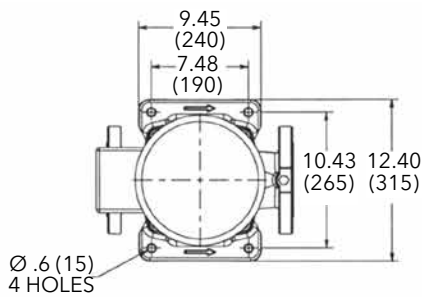


MINIMUM FLOW RATE: 40 GPM [9 m³/hr]

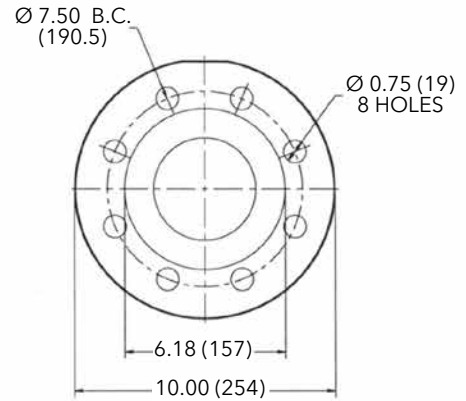
Dimensions and Weights

66SV Series 3500 RPM

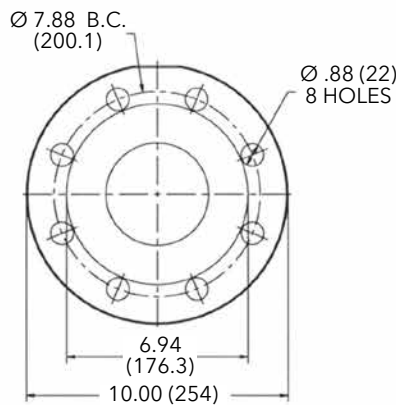
60 Hz



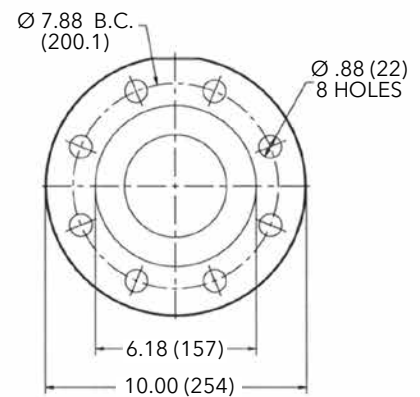
Cast Iron
4\"/>



316SS
4\"/>



Cast Iron
4\"/>

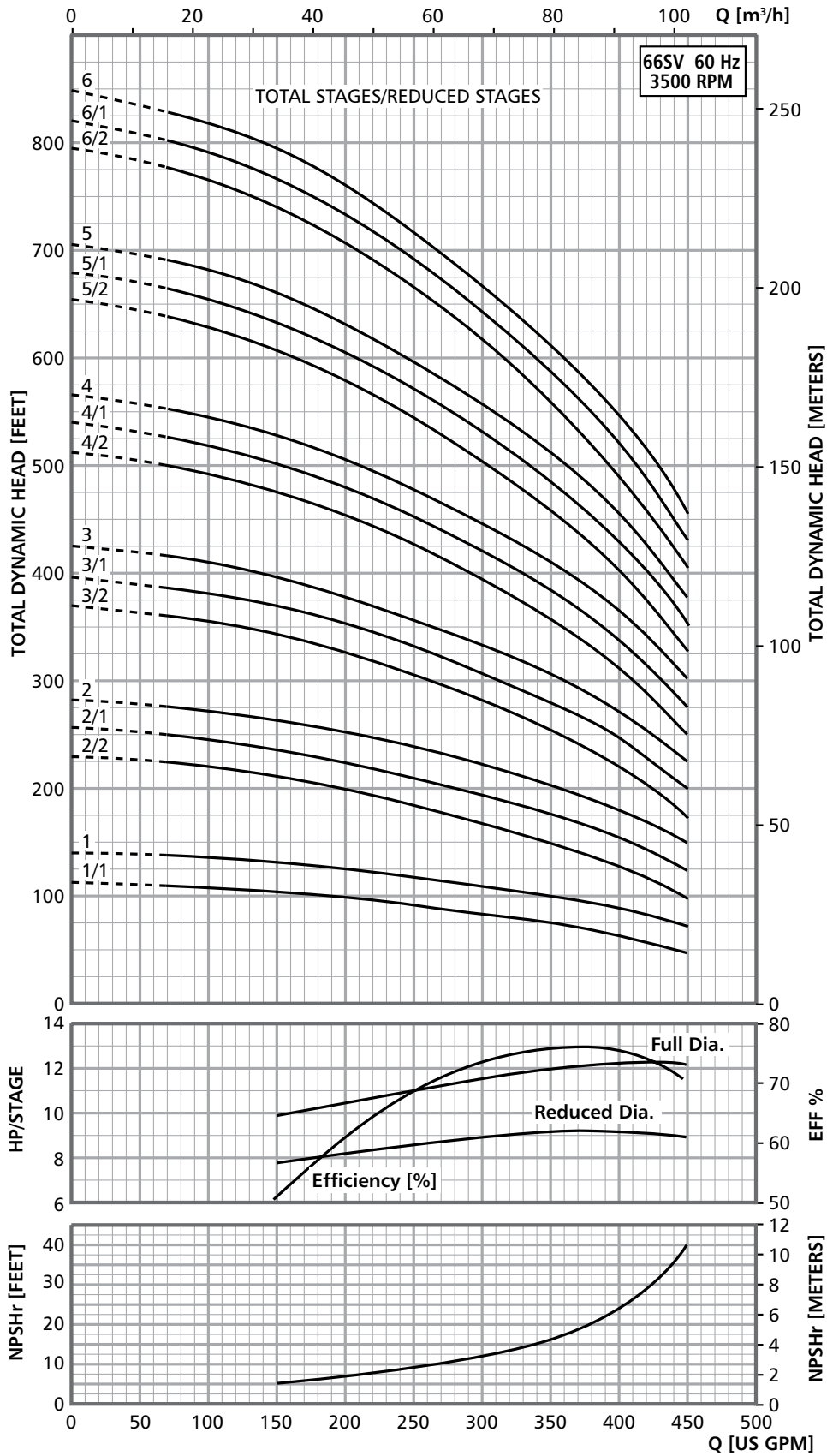


316SS
4\"/>

All dimensions are in inches (mm).

66SV SERIES – 60Hz, 3500 RPM ODP/TEFC Enclosures

Pump Type Stages	HP	Motor				Dimensions (in)										Weight (lbs.)									
		NEMA Frame				L1	L2				M (Ref.)	D1 (max.)				D2	Pump Only	Motor				Pump/Motor			
		ODP 1Ø	TEFC 1Ø	ODP 3Ø	TEFC 3Ø		ODP 1Ø	TEFC 1Ø	ODP 3Ø	TEFC 3Ø		ODP 1Ø	TEFC 1Ø	ODP 3Ø	TEFC 3Ø			ODP 1Ø	TEFC 1Ø	ODP 3Ø	TEFC 3Ø	ODP 1Ø	TEFC 1Ø	ODP 3Ø	TEFC 3Ø
66SV-1	15	-	-	215TC	254TC	23.19	-	-	15.56	16.56	9.25	-	-	10.19	10.31	5.51	185	-	-	128	250	-	-	313	435
66SV-2/2	20	-	-	254TC	256TC	26.75	-	-	15.56	16.56	9.25	-	-	10.19	10.31	5.51	196	-	-	220	280	-	-	416	476
66SV-2/1		-	-			26.75	-	-	15.56	16.56	9.25	-	-	10.19	10.31	5.51	196	-	-	220	280	-	-	416	476
66SV-2	25	-	-	256TC	284TC	28.31	-	-	18.00	23.38	13.12	-	-	11.63	15.31	5.51	210	-	-	240	420	-	-	450	630
66SV-3/2	30	-	-	284TC	284TC	31.81	-	-	20.12	23.38	13.12	-	-	13.25	15.31	5.51	223	-	-	325	445	-	-	548	668
66SV-3/1		-	-			31.81	-	-	20.12	23.38	13.12	-	-	13.25	15.31	5.51	223	-	-	325	445	-	-	548	668
66SV-3	40	-	-	284TC	284TC	31.81	-	-	20.12	23.38	13.12	-	-	13.25	15.31	5.51	223	-	-	328	448	-	-	551	671
66SV-4/2		-	-			35.38	-	-	20.12	23.38	13.12	-	-	13.25	15.31	5.51	234	-	-	328	448	-	-	562	682
66SV-4/1	50	-	-	326TSC	326TSC	34.88	-	-	22.50	23.38	13.12	-	-	13.25	15.31	5.51	242	-	-	382	592	-	-	624	834
66SV-4		-	-			34.88	-	-	22.50	23.38	13.12	-	-	13.25	15.31	5.51	242	-	-	382	592	-	-	624	834
66SV-5/2	60	-	-	326TSC	364TSC	38.44	-	-	22.50	23.38	13.12	-	-	13.25	15.31	5.51	252	-	-	382	592	-	-	634	844
66SV-5/1		-	-			38.44	-	-	22.50	27.22	14.96	-	-	13.25	19.00	5.51	252	-	-	474	736	-	-	726	988
66SV-5	75	-	-	326TSC	364TSC	38.44	-	-	22.50	27.22	14.96	-	-	13.25	19.00	5.51	252	-	-	474	736	-	-	726	988
66SV-6/2		-	-			41.94	-	-	24.12	27.22	14.96	-	-	15.12	19.00	5.51	266	-	-	500	762	-	-	766	1028
66SV-6/1	75	-	-	365TSC	365TSC	41.94	-	-	24.12	27.22	14.96	-	-	15.12	19.00	5.51	266	-	-	500	762	-	-	766	1028
66SV-6		-	-			41.94	-	-	24.12	27.22	14.96	-	-	15.12	19.00	5.51	266	-	-	500	762	-	-	766	1028

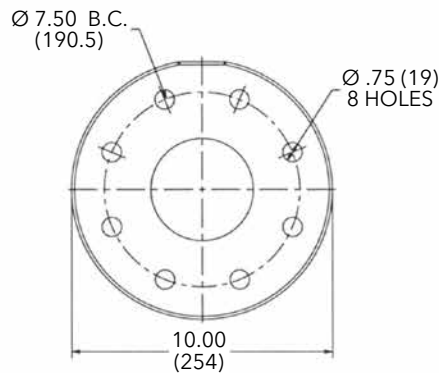
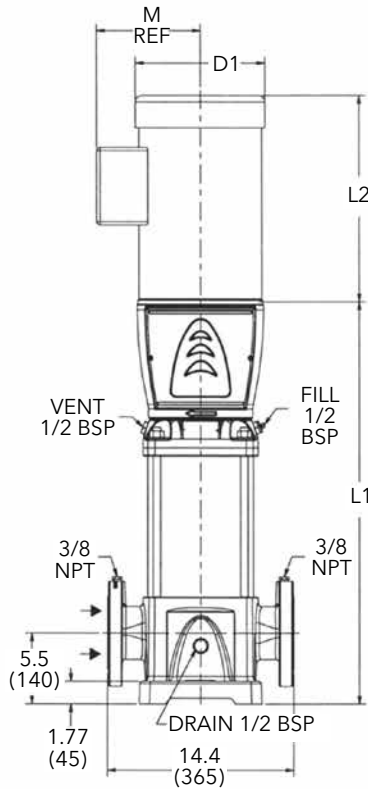
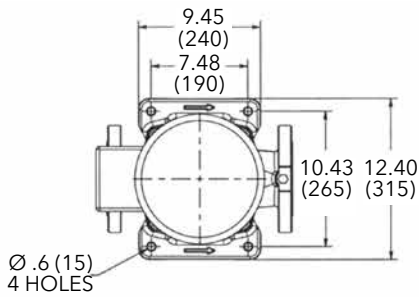


MINIMUM FLOW RATE: 70 GPM [16 m³/hr]

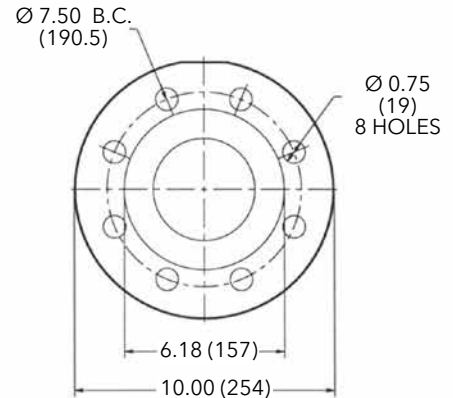
Dimensions and Weights

92SV Series 3500 RPM

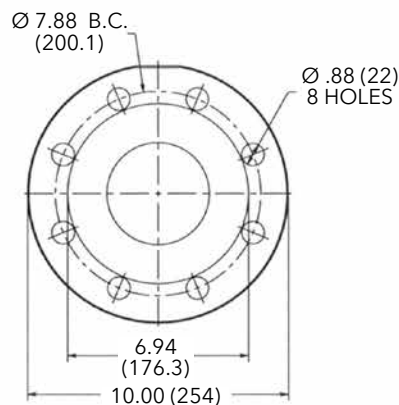
60 Hz



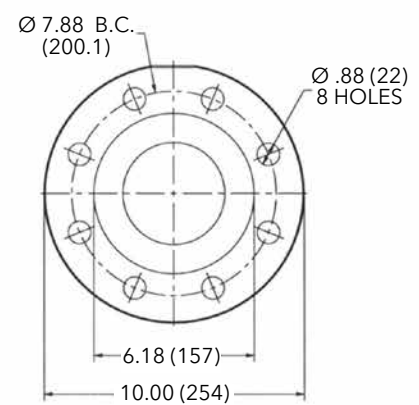
Cast Iron
4\"/>



316SS
4\"/>



Cast Iron
4\"/>

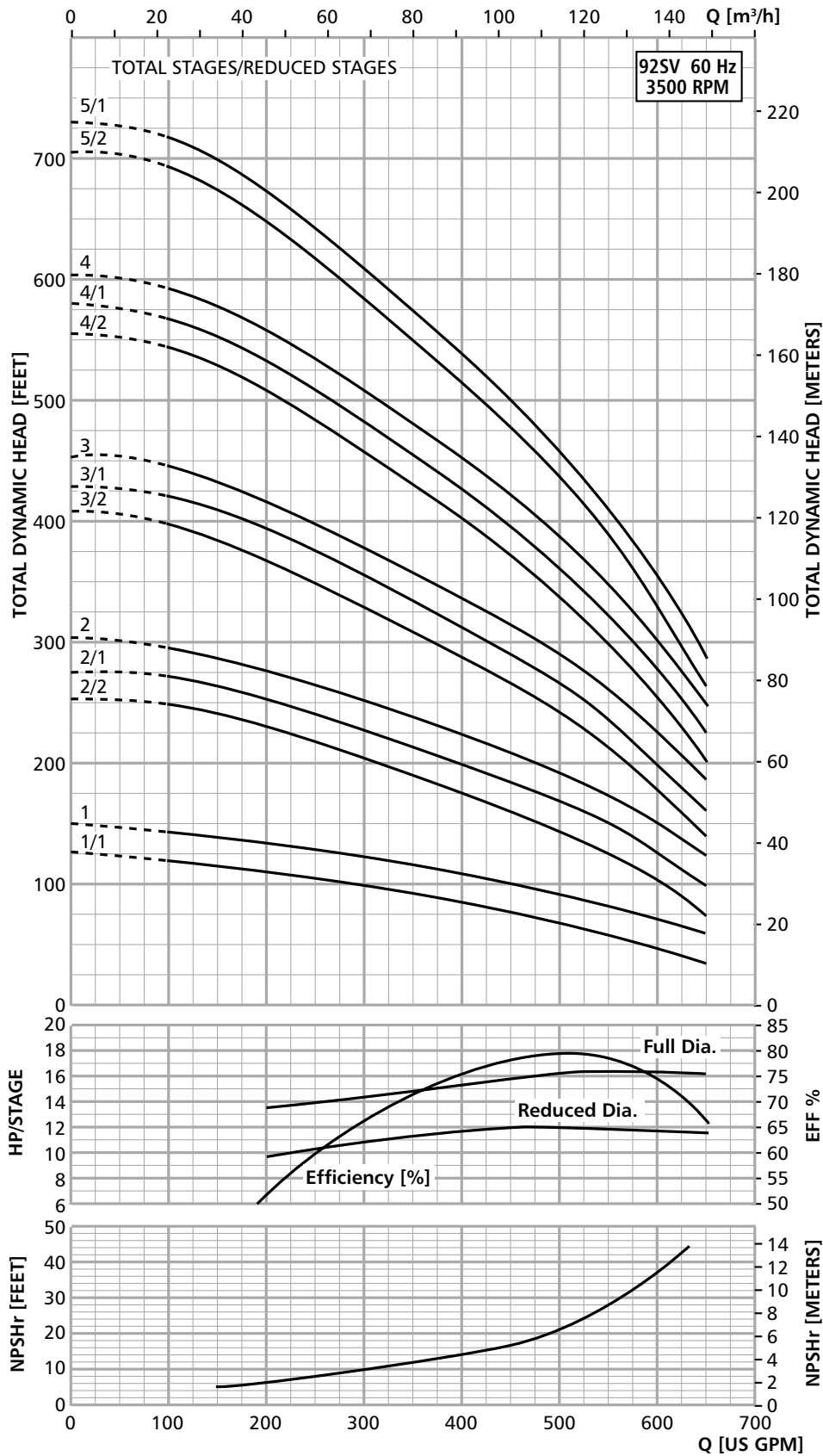


316SS
4\"/>

All dimensions are in inches (mm).

92SV SERIES – 60Hz, 3500 RPM ODP/TEFC Enclosures

Pump Type Stages	Motor				Dimensions (in)										Weight (lbs.)										
	HP	NEMA Frame			L1	L2				M (Ref.)	D1 (max.)				D2	Pump Only	Motor				Pump/Motor				
		ODP 1Ø	TEFC 1Ø	ODP 3Ø		TEFC 3Ø	ODP 1Ø	TEFC 1Ø	ODP 3Ø		TEFC 3Ø	ODP 1Ø	TEFC 1Ø	ODP 3Ø			TEFC 3Ø	ODP 1Ø	TEFC 1Ø	ODP 3Ø	TEFC 3Ø				
92SV-1	15	-	-	215TC	254TC	23.19	-	-	15.56	16.56	9.25	-	-	10.19	10.31	5.51	185	-	-	128	250	-	-	313	435
92SV-2/2	25	-	-	256TC	284TC	28.31	-	-	18.00	23.38	13.12	-	-	11.63	15.31	5.51	210	-	-	240	420	-	-	450	630
92SV-2/1	30	-	-	284TC	284TC	28.31	-	-	20.12	23.38	13.12	-	-	13.25	15.31	5.51	210	-	-	325	445	-	-	535	655
92SV-2		-	-	284TC	284TC	28.31	-	-	20.12	23.38	13.12	-	-	13.25	15.31	5.51	210	-	-	325	445	-	-	535	655
92SV-3/2	40	-	-	284TC	284TC	31.18	-	-	20.12	23.38	13.12	-	-	13.25	15.31	5.51	223	-	-	328	448	-	-	551	671
92SV-3/1		-	-	284TC	284TC	31.18	-	-	20.12	23.38	13.12	-	-	13.25	15.31	5.51	223	-	-	328	448	-	-	551	671
92SV-3	50	-	-	326TSC	326TSC	31.28	-	-	22.50	23.38	13.12	-	-	13.25	15.31	5.51	231	-	-	382	592	-	-	613	823
92SV-4/2	60	-	-	326TSC	364TSC	34.88	-	-	22.50	27.22	13.12	-	-	13.25	19.00	5.51	242	-	-	474	736	-	-	716	978
92SV-4/1		-	-	326TSC	364TSC	34.88	-	-	22.50	27.22	13.12	-	-	13.25	19.00	5.51	242	-	-	474	736	-	-	716	978
92SV-4		-	-	326TSC	364TSC	34.88	-	-	22.50	27.22	13.12	-	-	13.25	19.00	5.51	242	-	-	474	736	-	-	716	978
92SV-5/2	75	-	-	365TSC	365TSC	38.44	-	-	24.12	27.22	14.96	-	-	15.12	19.00	5.51	252	-	-	500	762	-	-	752	1014
92SV-5/1		-	-	365TSC	365TSC	38.44	-	-	24.12	27.22	14.96	-	-	15.12	19.00	5.51	252	-	-	500	762	-	-	752	1014



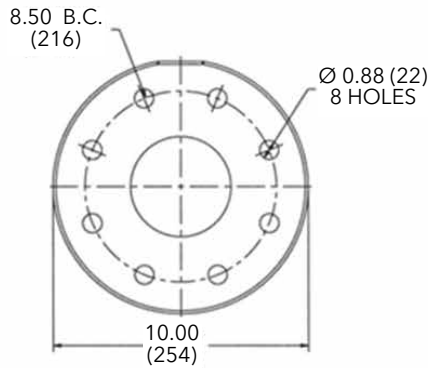
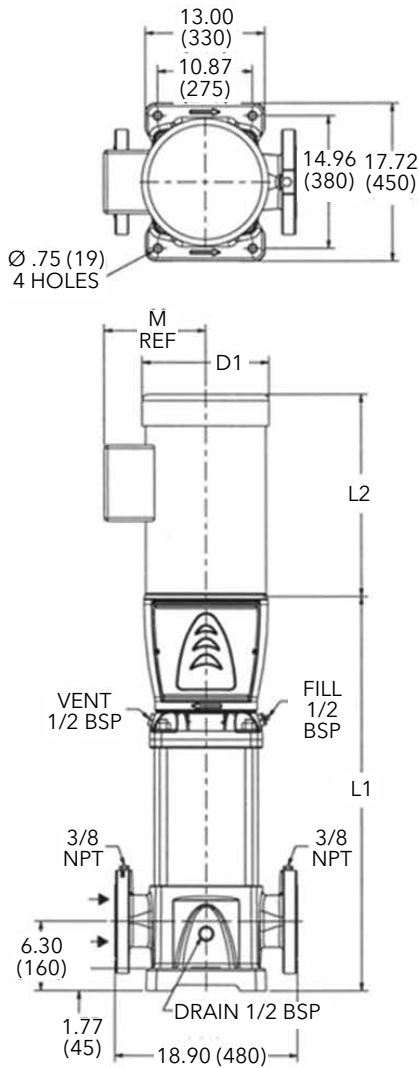
MINIMUM FLOW RATE: 100 GPM [23 m³/hr]

Commercial Water

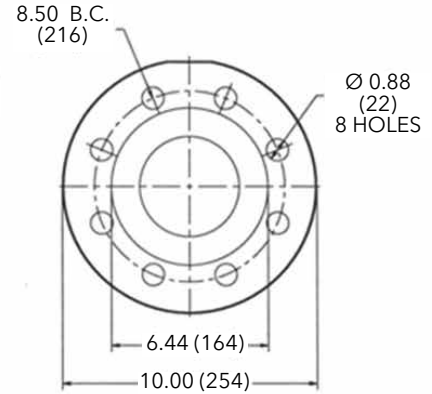
Dimensions and Weights

125SV Series 3500 RPM

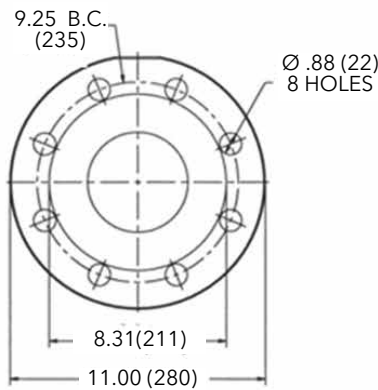
60 Hz



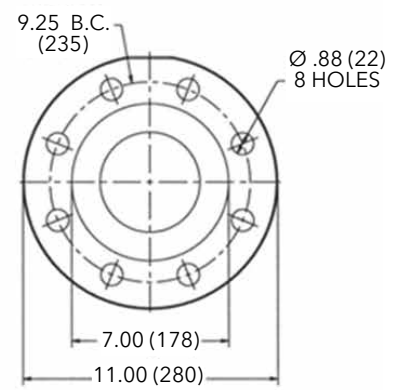
**Cast Iron
5" Class 125 F.F.**



**316SS
5" Class 150 R.F.**



**Cast Iron
5" Class 250 R.F.**

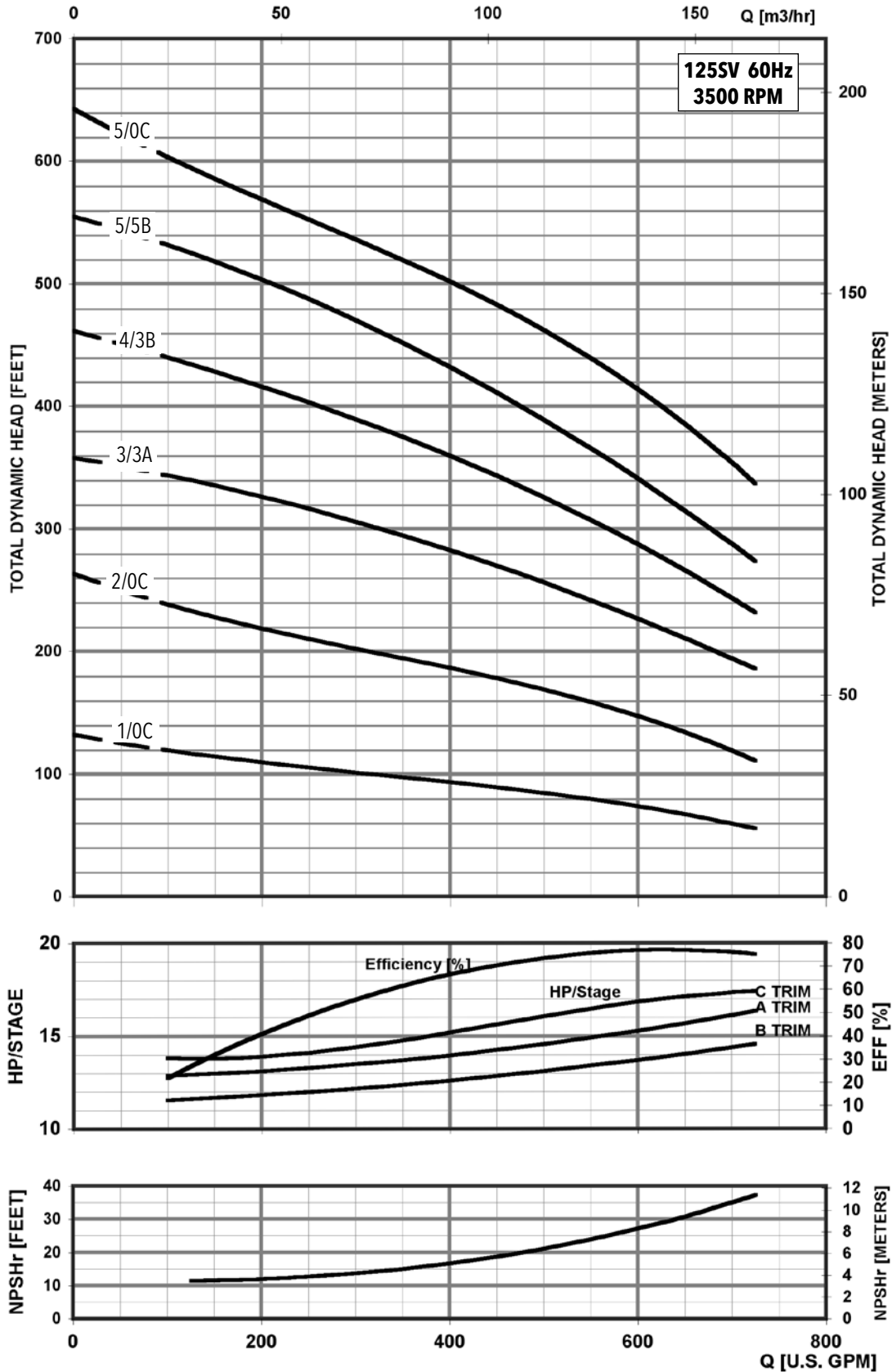


**316SS
5" Class 300 R.F.**

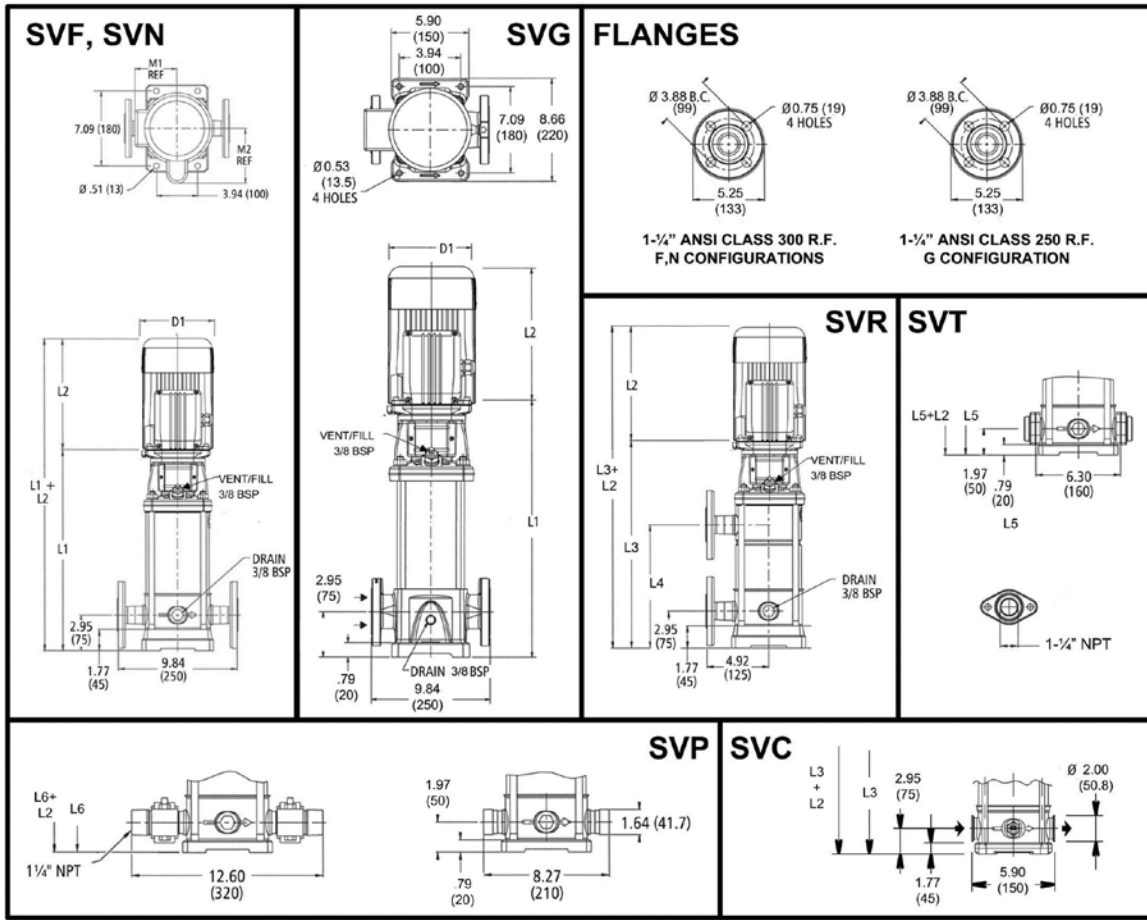
All dimensions are in inches (mm).

125SV SERIES – 60Hz, 3500 RPM ODP/TEFC Enclosures

Pump Type	HP	Motor		Dimensions (in)														Weight (lbs.)											
		NEMA Frame		L1	L2				L3	L4	L5	L6	M (Ref.)	D1 (max.)				D2	Pump	Motor				Pump/Motor					
		ODP 10	TEFC 10		ODP 30	TEFC 30	ODP 10	TEFC 10						ODP 30	TEFC 30	ODP 10	TEFC 10			ODP 30	TEFC 30	ODP 10	TEFC 10	ODP 30	TEFC 30	ODP 10	TEFC 10	ODP 30	TEFC 30
125SV10C	15	-	-	215TC	254TC	27.30	-	-	15.55	16.57	-	-	-	-	9.22	-	-	10.18	10.28	4.72	256	-	-	125	195	-	-	381	451
125SV20C	30	-	-	284TC	286TC	34.57	-	-	21.75	19.54	-	-	-	12.21	-	-	13.25	12.94	5.51	289	-	-	296	382	-	-	585	671	
125SV33A	40	-	-	286TC	286TC	40.47	-	-	21.75	23.18	-	-	-	13.11	-	-	13.25	15.56	5.51	315	-	-	315	446	-	-	630	761	
125SV43B	50	-	-	324TSC	326TSC	46.40	-	-	22.75	23.19	-	-	-	12.21	-	-	13.03	15.69	5.51	355	-	-	320	450	-	-	675	805	
125SV55B	60	-	-	324TSC	326TSC	52.30	-	-	22.75	30.69	-	-	-	14.95	-	-	13.03	19.25	5.51	379	-	-	372	689	-	-	751	1068	
125SV50C	75	-	-	364TSC	365TSC	52.28	-	-	24.38	30.69	-	-	-	14.95	-	-	15.13	19.25	5.51	379	-	-	447	747	-	-	826	1126	



MINIMUM FLOW RATE: 100 GPM [20 m³/hr]



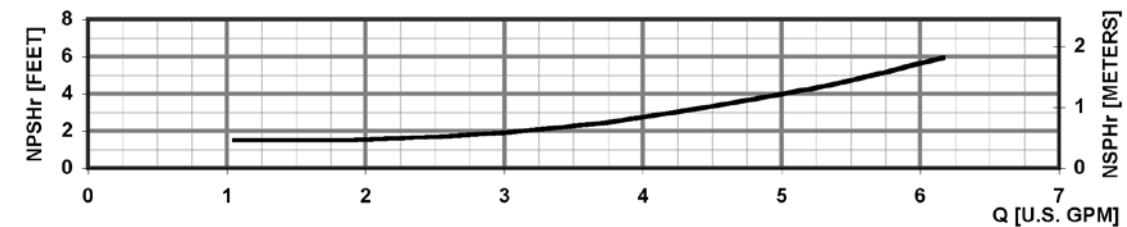
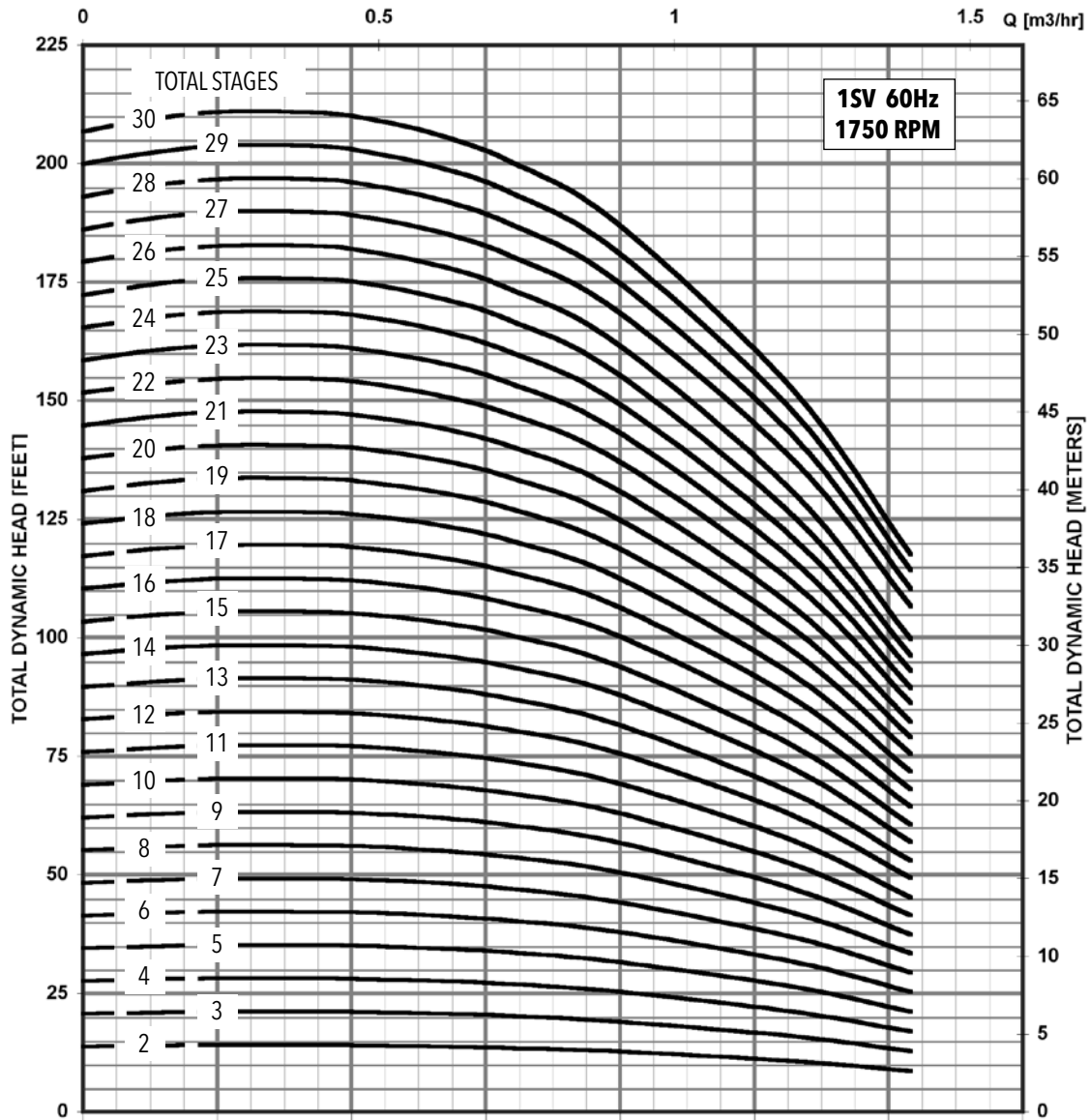
1SV SERIES – 60Hz, 1750 RPM ODP/TEFC Enclosures

Pump Type Stages	Motor				Dimensions (in)													Weight (lbs.)										
	HP	NEMA Frame			L1	L2				L3	L4	L5	L6	M (Ref.)	D1 (max.)				D2	Pump Only	Motor				Pump/Motor			
		ODP 1Ø	TEFC 1Ø	ODP 3Ø		TEFC 3Ø	ODP 1Ø	TEFC 1Ø	ODP 3Ø						TEFC 3Ø	ODP 1Ø	TEFC 1Ø	ODP 3Ø			TEFC 3Ø	ODP 1Ø	TEFC 1Ø	ODP 3Ø	TEFC 3Ø	ODP 1Ø	TEFC 1Ø	ODP 3Ø
1SV-02	0.5	56C	13.27	9.16	9.29	9.16	9.29	-	-	12.29	12.29	5.19	6.19	6.19	6.19	6.19	4.13	25	21	21	19	19	46	46	44	44		
1SV-03			13.27	9.16	9.29	9.16	9.29	-	-	12.29	12.29	5.19	6.19	6.19	6.19	6.19	4.13	26	21	21	19	19	47	47	45	45		
1SV-04			14.06	9.16	9.29	9.16	9.29	-	-	13.07	13.07	5.19	6.19	6.19	6.19	6.19	4.13	27	21	21	19	19	48	48	46	46		
1SV-05			14.85	9.16	9.29	9.16	9.29	-	-	13.86	13.86	5.19	6.19	6.19	6.19	6.19	4.13	28	21	21	19	19	49	49	47	47		
1SV-06			15.63	9.16	9.29	9.16	9.29	-	-	14.65	14.65	5.19	6.19	6.19	6.19	6.19	4.13	28	21	21	19	19	49	49	47	47		
1SV-07			16.42	9.16	9.29	9.16	9.29	-	-	15.44	15.44	5.19	6.19	6.19	6.19	6.19	4.13	29	21	21	19	19	50	50	48	48		
1SV-08			17.21	9.16	9.29	9.16	9.29	17.21	8.94	16.22	16.22	5.19	6.19	6.19	6.19	6.19	4.13	30	21	21	19	19	51	51	49	49		
1SV-09			18.00	9.16	9.29	9.16	9.29	18.00	9.72	17.01	17.01	5.19	6.19	6.19	6.19	6.19	4.13	31	21	21	19	19	52	52	50	50		
1SV-10			18.78	9.16	9.29	9.16	9.29	18.78	10.51	17.80	17.80	5.19	6.19	6.19	6.19	6.19	4.13	32	21	21	19	19	53	53	51	51		
1SV-11			19.57	9.16	9.29	9.16	9.29	19.57	11.30	18.59	18.59	5.19	6.19	6.19	6.19	6.19	4.13	33	21	21	19	19	54	54	52	52		
1SV-12			20.36	9.16	9.29	9.16	9.29	20.36	12.09	19.37	19.37	5.19	6.19	6.19	6.19	6.19	4.13	34	21	21	19	19	55	55	53	53		
1SV-13			21.14	9.16	9.29	9.16	9.29	21.14	12.87	20.16	20.16	5.19	6.19	6.19	6.19	6.19	4.13	35	21	21	19	19	56	56	54	54		
1SV-14			21.93	9.16	9.29	9.16	9.29	21.93	13.66	20.95	20.95	5.19	6.19	6.19	6.19	6.19	4.13	36	21	21	19	19	57	57	55	55		
1SV-15			22.72	9.16	9.29	9.16	9.29	22.72	14.45	21.74	21.74	5.19	6.19	6.19	6.19	6.19	4.13	37	21	21	19	19	58	58	56	56		
1SV-16			23.51	9.16	9.29	9.16	9.29	23.51	15.24	22.52	22.52	5.19	6.19	6.19	6.19	6.19	4.13	38	21	21	19	19	59	59	57	57		
1SV-17			24.29	9.16	9.29	9.16	9.29	24.29	16.02	23.31	23.31	5.19	6.19	6.19	6.19	6.19	4.13	38	21	21	19	19	59	59	57	57		
1SV-18			25.08	9.16	9.29	9.16	9.29	25.08	16.81	24.10	24.10	5.19	6.19	6.19	6.19	6.19	4.13	39	21	21	19	19	60	60	58	58		
1SV-19			25.87	9.16	9.29	9.16	9.29	25.87	17.60	24.89	24.89	5.19	6.19	6.19	6.19	6.19	4.13	40	21	21	19	19	61	61	59	59		
1SV-20			26.66	9.16	9.29	9.16	9.29	26.66	18.39	25.67	25.67	5.19	6.19	6.19	6.19	6.19	4.13	41	21	21	19	19	62	62	60	60		
1SV-21			27.44	9.16	9.29	9.16	9.29	27.44	19.17	26.46	26.46	5.19	6.19	6.19	6.19	6.19	4.13	42	21	21	19	19	63	63	61	61		
1SV-22			28.23	9.16	9.29	9.16	9.29	28.23	19.96	27.25	27.25	5.19	6.19	6.19	6.19	6.19	4.13	43	21	21	19	19	64	64	62	62		
1SV-23			29.02	9.16	9.29	9.16	9.29	29.02	20.75	28.03	28.03	5.19	6.19	6.19	6.19	6.19	4.13	45	21	21	19	19	66	66	64	64		
1SV-24			29.81	9.16	9.29	9.16	9.29	29.81	21.54	28.82	28.82	5.19	6.19	6.19	6.19	6.19	4.13	46	21	21	19	19	67	67	65	65		
1SV-25			30.59	9.16	9.29	9.16	9.29	30.59	22.32	29.61	29.61	5.19	6.19	6.19	6.19	6.19	4.13	47	21	21	19	19	68	68	66	66		
1SV-26			31.38	9.16	9.29	9.16	9.29	31.38	23.11	30.40	30.40	5.19	6.19	6.19	6.19	6.19	4.13	47	21	21	19	19	68	68	66	66		
1SV-27			32.17	9.16	9.29	9.16	9.29	32.17	23.90	31.18	31.18	5.19	6.19	6.19	6.19	6.19	4.13	48	21	21	19	19	69	69	67	67		
1SV-28			32.96	9.16	9.29	9.16	9.29	32.96	24.68	31.97	31.97	5.19	6.19	6.19	6.19	6.19	4.13	49	21	21	19	19	70	70	68	68		
1SV-29			34.14	9.16	9.29	9.16	9.29	34.14	25.47	33.15	33.15	5.19	6.19	6.19	6.19	6.19	4.13	50	21	21	19	19	71	71	69	69		
1SV-30			34.53	9.16	9.29	9.16	9.29	34.53	26.26	33.55	33.55	5.19	6.19	6.19	6.19	6.19	4.13	51	21	21	19	19	72	72	70	70		

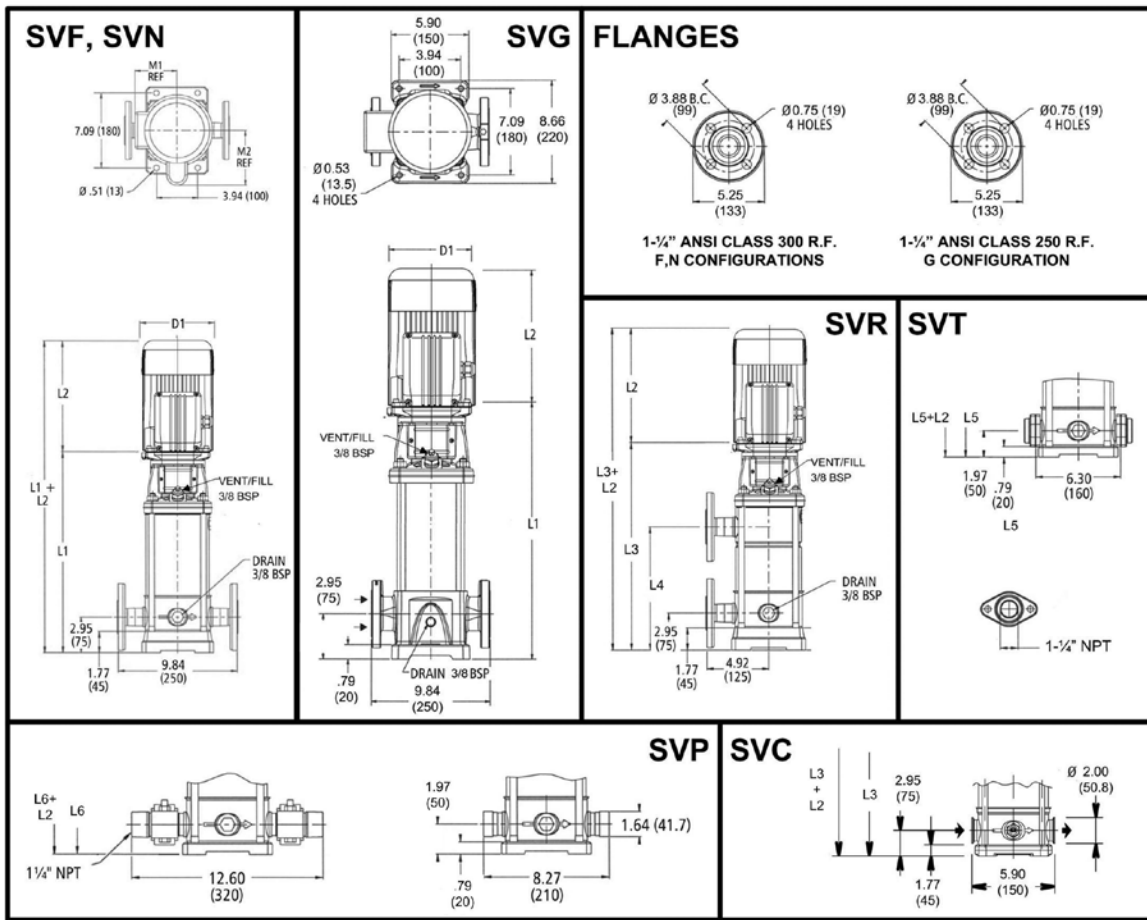
Performance Curve

1SV 1750 RPM

60 Hz

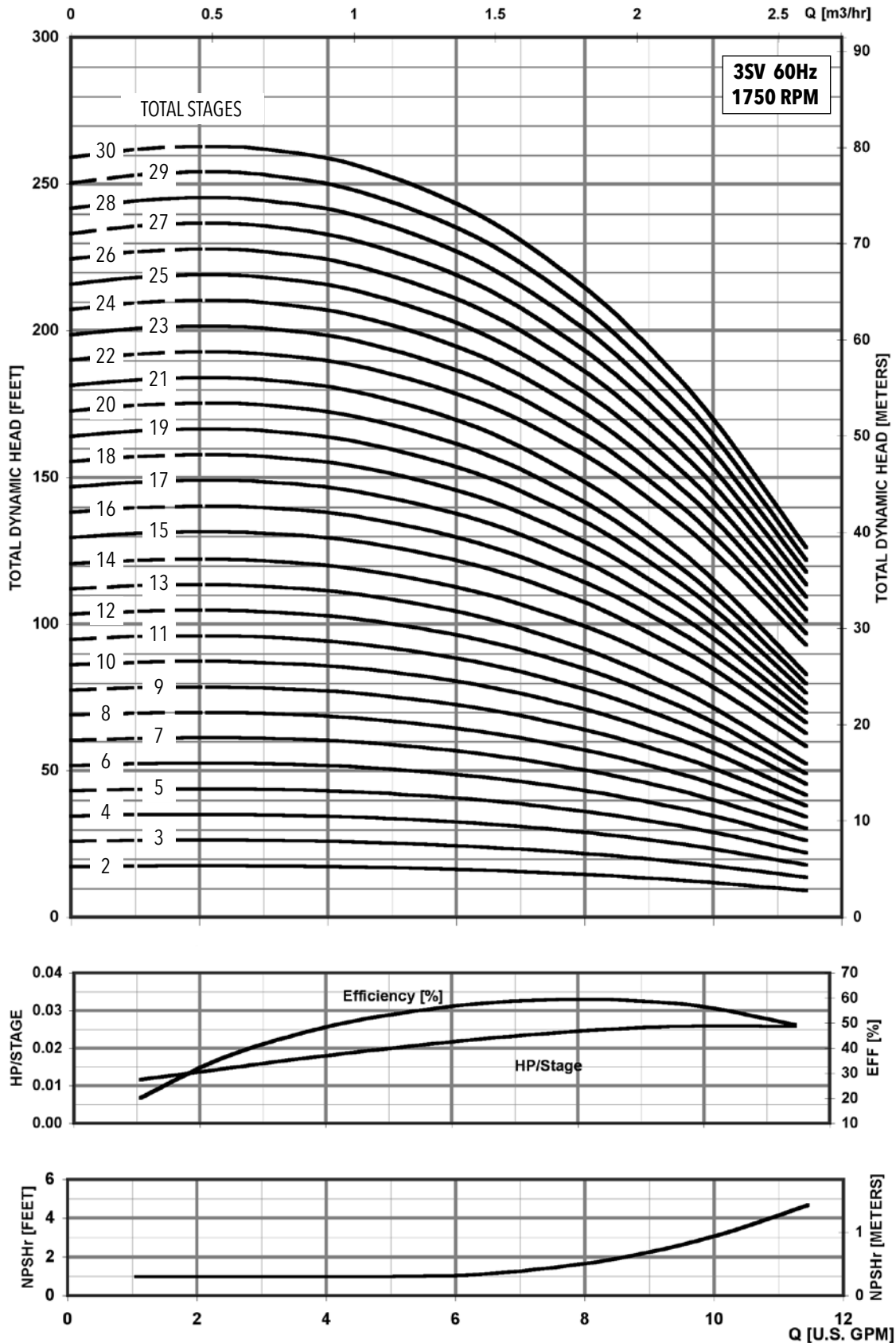


MINIMUM FLOW RATE: 1 GPM [.24 m³/hr]

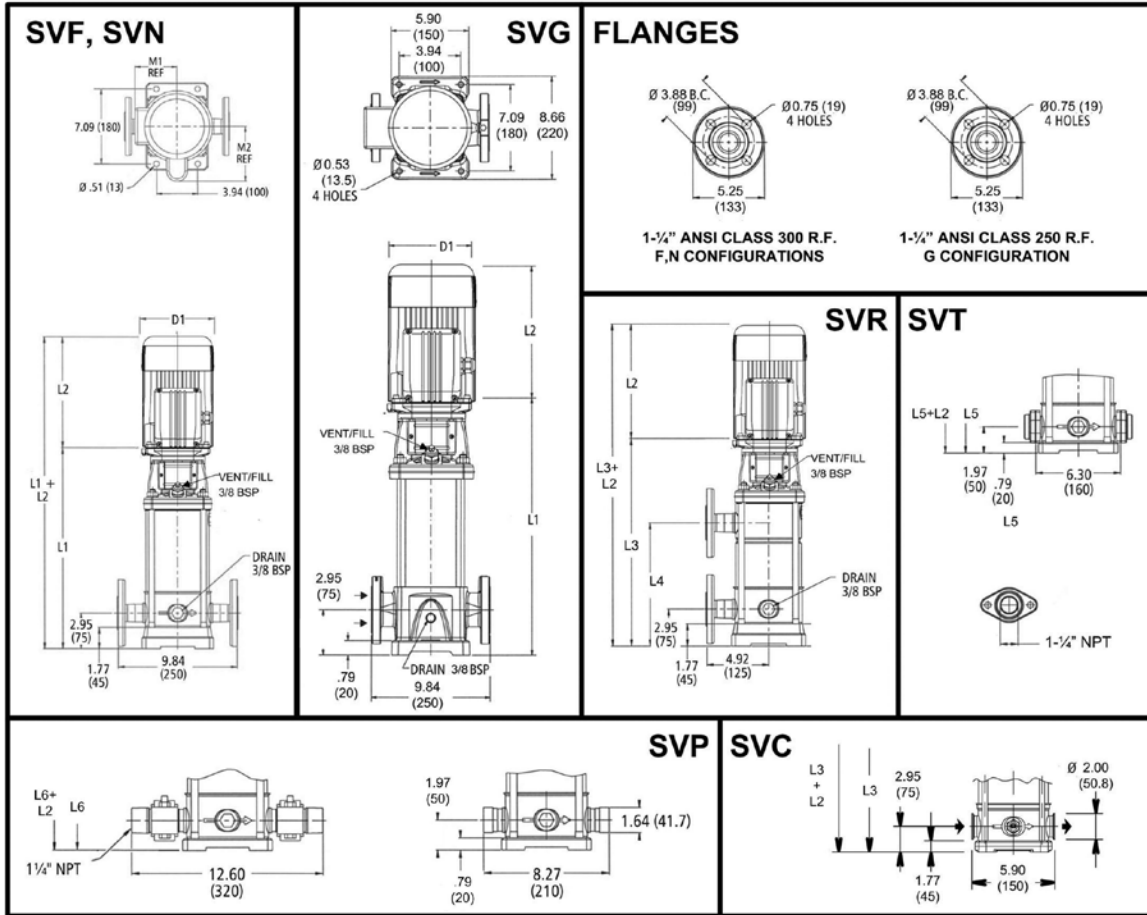


3SV SERIES – 60Hz, 1750 RPM ODP/TEFC Enclosures

Pump Type Stages	Motor					Dimensions (in)										Weight (lbs.)													
	HP	NEMA Frame				L1	L2				L3	L4	L5	L6	M (Ref.)	D1 (max.)				D2	Pump Only	Motor				Pump/Motor			
		ODP 1Ø	TEFC 1Ø	ODP 3Ø	TEFC 3Ø		ODP 1Ø	TEFC 1Ø	ODP 3Ø	TEFC 3Ø						ODP 1Ø	TEFC 1Ø	ODP 3Ø	TEFC 3Ø			ODP 1Ø	TEFC 1Ø	ODP 3Ø	TEFC 3Ø	ODP 1Ø	TEFC 1Ø	ODP 3Ø	TEFC 3Ø
3SV-02					13.27	9.16	9.29	9.16	9.29	-	-	12.29	12.29	5.19	6.19	6.19	6.19	6.19	4.13	24	21	21	19	19	45	45	43	43	
3SV-03					13.27	9.16	9.29	9.16	9.29	-	-	12.29	12.29	5.19	6.19	6.19	6.19	6.19	4.13	25	21	21	19	19	46	46	44	44	
3SV-04					14.06	9.16	9.29	9.16	9.29	-	-	13.07	13.07	5.19	6.19	6.19	6.19	6.19	4.13	26	21	21	19	19	47	47	45	45	
3SV-05					14.85	9.16	9.29	9.16	9.29	-	-	13.86	13.86	5.19	6.19	6.19	6.19	6.19	4.13	27	21	21	19	19	48	48	46	46	
3SV-06					15.63	9.16	9.29	9.16	9.29	-	-	14.65	14.65	5.19	6.19	6.19	6.19	6.19	4.13	28	21	21	19	19	49	49	47	47	
3SV-07					16.42	9.16	9.29	9.16	9.29	-	-	15.44	15.44	5.19	6.19	6.19	6.19	6.19	4.13	30	21	21	19	19	51	51	49	49	
3SV-08					17.21	9.16	9.29	9.16	9.29	17.21	8.94	16.22	16.22	5.19	6.19	6.19	6.19	6.19	4.13	31	21	21	19	19	52	52	50	50	
3SV-09					18.00	9.16	9.29	9.16	9.29	18.00	9.72	17.01	17.01	5.19	6.19	6.19	6.19	6.19	4.13	32	21	21	19	19	53	53	51	51	
3SV-10					18.78	9.16	9.29	9.16	9.29	18.78	10.51	17.80	17.80	5.19	6.19	6.19	6.19	6.19	4.13	33	21	21	19	19	54	54	52	52	
3SV-11					19.57	9.16	9.29	9.16	9.29	19.57	11.30	18.59	18.59	5.19	6.19	6.19	6.19	6.19	4.13	34	21	21	19	19	55	55	53	53	
3SV-12					20.36	9.16	9.29	9.16	9.29	20.36	12.09	19.37	19.37	5.19	6.19	6.19	6.19	6.19	4.13	35	21	21	19	19	56	56	54	54	
3SV-13					21.14	9.16	9.29	9.16	9.29	21.14	12.87	20.16	20.16	5.19	6.19	6.19	6.19	6.19	4.13	36	21	21	19	19	57	57	55	55	
3SV-14					21.93	9.16	9.29	9.16	9.29	21.93	13.66	20.95	20.95	5.19	6.19	6.19	6.19	6.19	4.13	37	21	21	19	19	58	58	56	56	
3SV-15					22.72	9.16	9.29	9.16	9.29	22.72	14.45	21.74	21.74	5.19	6.19	6.19	6.19	6.19	4.13	38	21	21	19	19	59	59	57	57	
3SV-16				56C	23.51	9.16	9.29	9.16	9.29	23.51	15.24	22.52	22.52	5.19	6.19	6.19	6.19	6.19	4.13	39	21	21	19	19	60	60	58	58	
3SV-17					24.29	9.16	9.29	9.16	9.29	24.29	16.02	23.31	23.31	5.19	6.19	6.19	6.19	6.19	4.13	40	21	21	19	19	61	61	59	59	
3SV-18					25.08	9.16	9.29	9.16	9.29	25.08	16.81	24.10	24.10	5.19	6.19	6.19	6.19	6.19	4.13	41	21	21	19	19	62	62	60	60	
3SV-19					25.87	9.16	9.29	9.16	9.29	25.87	17.60	24.89	24.89	5.19	6.19	6.19	6.19	6.19	4.13	41	21	21	19	19	62	62	60	60	
3SV-20					26.66	9.16	9.29	9.16	9.29	26.66	18.39	25.67	25.67	5.19	6.19	6.19	6.19	6.19	4.13	42	21	21	19	19	63	63	61	61	
3SV-21					27.44	9.16	9.29	9.16	9.29	27.44	19.17	26.46	26.46	5.19	6.19	6.19	6.19	6.19	4.13	43	21	21	19	19	64	64	62	62	
3SV-22					28.23	9.16	9.29	9.16	9.29	28.23	19.96	27.25	27.25	5.19	6.19	6.19	6.19	6.19	4.13	44	21	21	19	19	65	65	63	63	
3SV-23					29.02	9.16	9.29	9.16	9.29	29.02	20.75	28.03	28.03	5.19	6.19	6.19	6.19	6.19	4.13	45	21	21	19	19	66	66	64	64	
3SV-24					29.81	9.16	9.29	9.16	9.29	29.81	21.54	28.82	28.82	5.19	6.19	6.19	6.19	6.19	4.13	46	21	21	19	19	67	67	65	65	
3SV-25					30.59	9.16	9.29	9.16	9.29	30.59	22.32	29.61	29.61	5.19	6.19	6.19	6.19	6.19	4.13	47	21	21	19	19	68	68	66	66	
3SV-26					31.38	10.79	9.91	9.16	9.29	31.38	23.11	30.40	30.40	5.19	6.19	6.19	6.19	6.19	4.13	48	27	29	21	21	75	77	69	69	
3SV-27					31.77	10.79	9.91	9.16	9.29	31.77	23.90	30.79	30.79	5.19	6.19	6.19	6.19	6.19	4.13	50	27	29	21	21	77	79	71	71	
3SV-28	0.75				32.56	10.79	9.91	9.16	9.29	32.56	24.68	31.58	31.58	5.19	6.19	6.19	6.19	6.19	4.13	51	27	29	21	21	78	80	72	72	
3SV-29					33.74	10.79	9.91	9.16	9.29	33.74	25.47	32.76	32.76	5.19	6.19	6.19	6.19	6.19	4.13	52	27	29	21	21	79	81	73	73	
3SV-30					34.53	10.79	9.91	9.16	9.29	34.53	26.26	33.55	33.55	5.19	6.19	6.19	6.19	6.19	4.13	53	27	29	21	21	80	82	74	74	

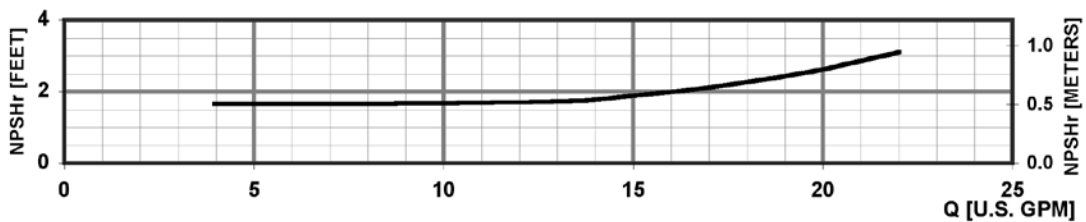
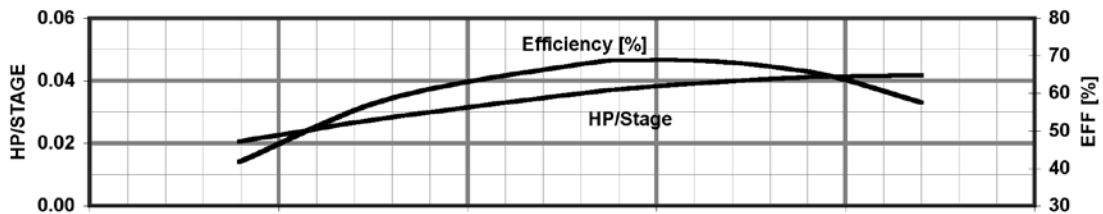
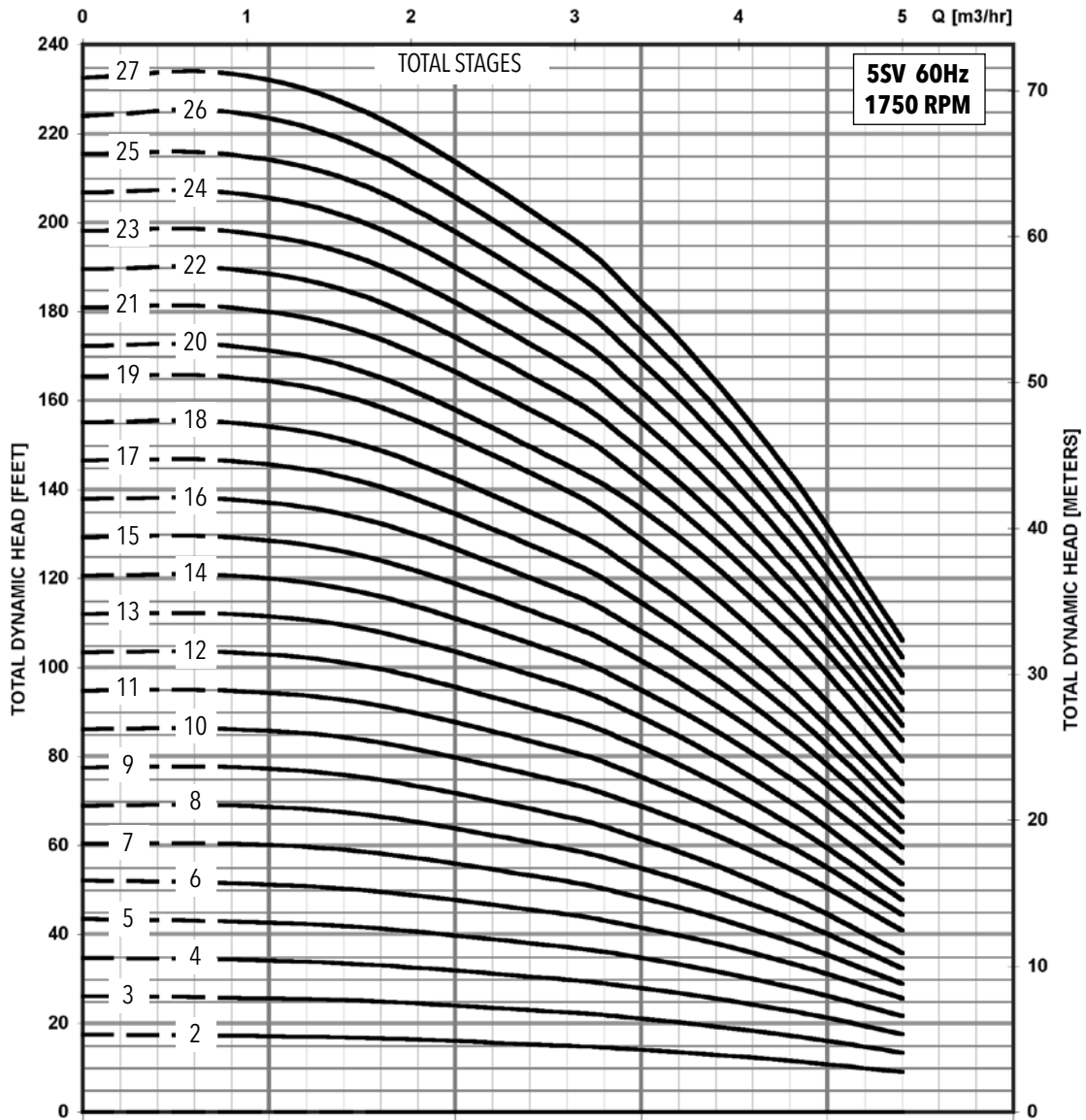


MINIMUM FLOW RATE: 1 GPM [.24 m³/hr]

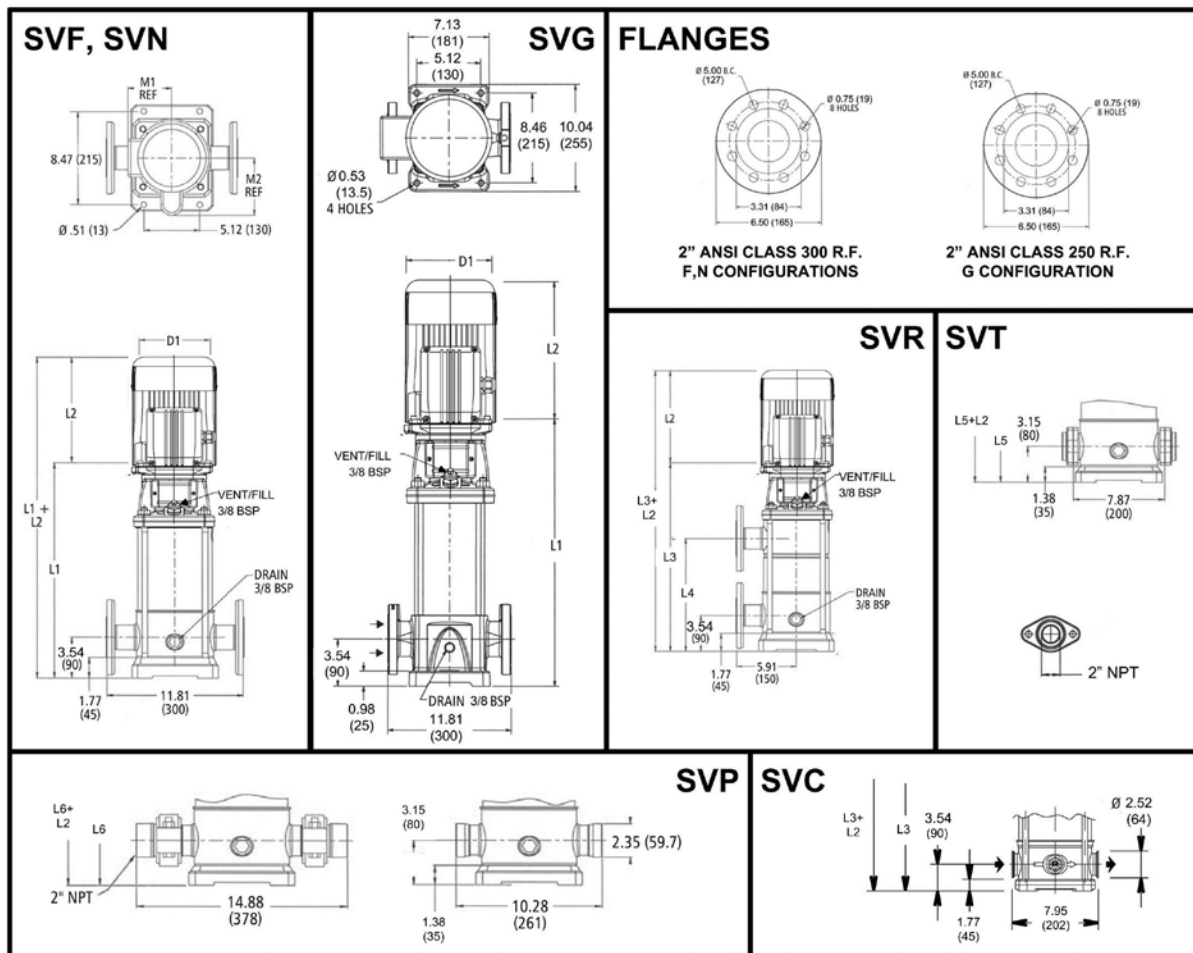


5SV SERIES – 60Hz, 1750 RPM ODP/TEFC Enclosures

Pump Type Stages	Motor					Dimensions (in)											Weight (lbs.)												
	HP	NEMA Frame				L1	L2				L3	L4	L5	L6	M (Ref.)	D1 (max.)				D2	Pump Only	Motor				Pump/Motor			
		ODP 1Ø	TEFC 1Ø	ODP 3Ø	TEFC 3Ø		ODP 1Ø	TEFC 1Ø	ODP 3Ø	TEFC 3Ø						ODP 1Ø	TEFC 1Ø	ODP 3Ø	TEFC 3Ø			ODP 1Ø	TEFC 1Ø	ODP 3Ø	TEFC 3Ø	ODP 1Ø	TEFC 1Ø	ODP 3Ø	TEFC 3Ø
5SV-02	0.5	56C	13.86	9.16	9.29	9.16	9.29	-	-	12.88	12.88	5.19	6.19	6.19	6.19	6.19	4.13	25	21	21	19	19	46	46	44	44			
5SV-03			13.86	9.16	9.29	9.16	9.29	-	-	12.88	12.88	5.19	6.19	6.19	6.19	6.19	4.13	26	21	21	19	19	47	47	45	45			
5SV-04			14.85	9.16	9.29	9.16	9.29	-	-	13.86	13.86	5.19	6.19	6.19	6.19	6.19	4.13	28	21	21	19	19	49	49	47	47			
5SV-05			15.83	9.16	9.29	9.16	9.29	-	-	14.85	14.85	5.19	6.19	6.19	6.19	6.19	4.13	29	21	21	19	19	50	50	48	48			
5SV-06			16.81	9.16	9.29	9.16	9.29	-	-	15.83	15.83	5.19	6.19	6.19	6.19	6.19	4.13	30	21	21	19	19	51	51	49	49			
5SV-07			17.80	9.16	9.29	9.16	9.29	17.80	9.53	16.81	16.81	5.19	6.19	6.19	6.19	6.19	4.13	31	21	21	19	19	52	52	50	50			
5SV-08			18.78	9.16	9.29	9.16	9.29	18.78	10.51	17.80	17.80	5.19	6.19	6.19	6.19	6.19	4.13	33	21	21	19	19	54	54	52	52			
5SV-09			19.77	9.16	9.29	9.16	9.29	19.77	11.50	18.78	18.78	5.19	6.19	6.19	6.19	6.19	4.13	33	21	21	19	19	54	54	52	52			
5SV-10			20.75	9.16	9.29	9.16	9.29	20.75	12.48	19.77	19.77	5.19	6.19	6.19	6.19	6.19	4.13	34	21	21	19	19	55	55	53	53			
5SV-11			21.74	9.16	9.29	9.16	9.29	21.74	13.46	20.75	20.75	5.19	6.19	6.19	6.19	6.19	4.13	35	21	21	19	19	56	56	54	54			
5SV-12			22.72	9.16	9.29	9.16	9.29	22.72	14.45	21.74	21.74	5.19	6.19	6.19	6.19	6.19	4.13	36	21	21	19	19	57	57	55	55			
5SV-13			23.70	9.16	9.29	9.16	9.29	23.70	15.43	22.72	22.72	5.19	6.19	6.19	6.19	6.19	4.13	38	21	21	19	19	59	59	57	57			
5SV-14			24.69	9.16	9.29	9.16	9.29	24.69	16.42	23.70	23.70	5.19	6.19	6.19	6.19	6.19	4.13	38	21	21	19	19	59	59	57	57			
5SV-15			25.67	9.16	9.29	9.16	9.29	25.67	17.40	24.69	24.69	5.19	6.19	6.19	6.19	6.19	4.13	39	21	21	19	19	60	60	58	58			
5SV-16			26.66	9.16	9.29	9.16	9.29	26.66	18.39	25.67	25.67	5.19	6.19	6.19	6.19	6.19	4.13	41	21	21	19	19	62	62	60	60			
5SV-17			0.75	56C	27.84	10.79	9.91	9.16	9.29	27.84	19.37	26.85	26.85	5.19	6.19	6.19	6.19	6.19	4.13	43	27	29	21	21	70	72	64	64	
5SV-18					28.63	10.79	9.91	9.16	9.29	28.63	20.35	27.64	27.64	5.19	6.19	6.19	6.19	6.19	4.13	44	27	29	21	21	71	73	65	65	
5SV-19					29.81	10.79	9.91	9.16	9.29	29.81	21.34	28.82	28.82	5.19	6.19	6.19	6.19	6.19	4.13	45	27	29	21	21	72	74	66	66	
5SV-20	30.99	10.79			9.91	9.16	9.29	30.99	22.32	30.00	30.00	5.19	6.19	6.19	6.19	6.19	4.13	46	27	29	21	21	73	75	67	67			
5SV-21	31.58	10.79			9.91	9.16	9.29	31.58	23.31	30.59	30.59	5.19	6.19	6.19	6.19	6.19	4.13	47	27	29	21	21	74	76	68	68			
5SV-22	32.64	10.79			9.91	9.16	9.29	32.64	24.29	31.66	31.66	5.19	6.19	6.19	6.19	6.19	4.13	48	27	29	21	21	75	77	69	69			
5SV-23	33.55	10.79			9.91	9.16	9.29	33.55	25.28	32.56	32.56	5.19	6.19	6.19	6.19	6.19	4.13	49	27	29	21	21	76	78	70	70			
5SV-24	34.61	10.79			9.91	9.16	9.29	34.61	26.26	33.63	33.63	5.19	6.19	6.19	6.19	6.19	4.13	51	27	29	21	21	78	80	72	72			
5SV-25	35.51	10.66			11.19	9.16	9.29	35.51	27.24	34.53	34.53	5.74	6.19	7.19	6.19	6.19	4.13	51	32	40	23	23	83	91	74	74			
5SV-26	36.58	10.66			11.19	9.16	9.29	36.58	28.23	35.59	35.59	5.74	6.19	7.19	6.19	6.19	4.13	52	32	40	23	23	84	92	75	75			
5SV-27	37.56	10.66			11.19	9.16	9.29	37.56	29.21	36.58	36.58	5.74	6.19	7.19	6.19	6.19	4.13	53	32	40	23	23	85	93	76	76			



MINIMUM FLOW RATE: 3 GPM [.7 m³/hr]



All dimensions are in inches (mm).

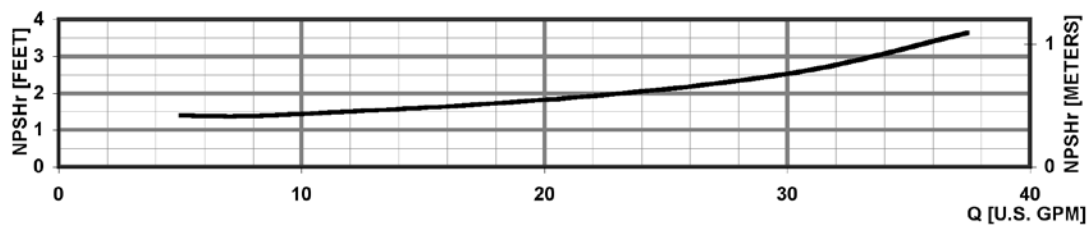
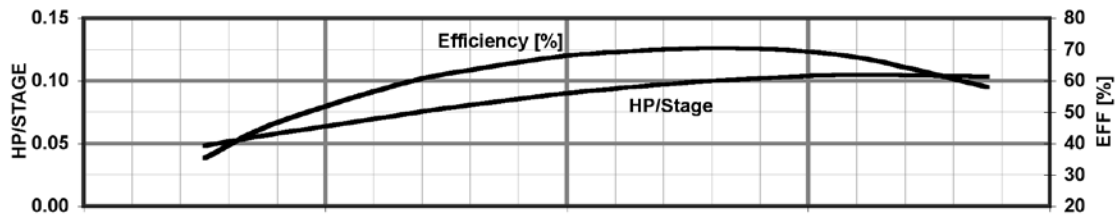
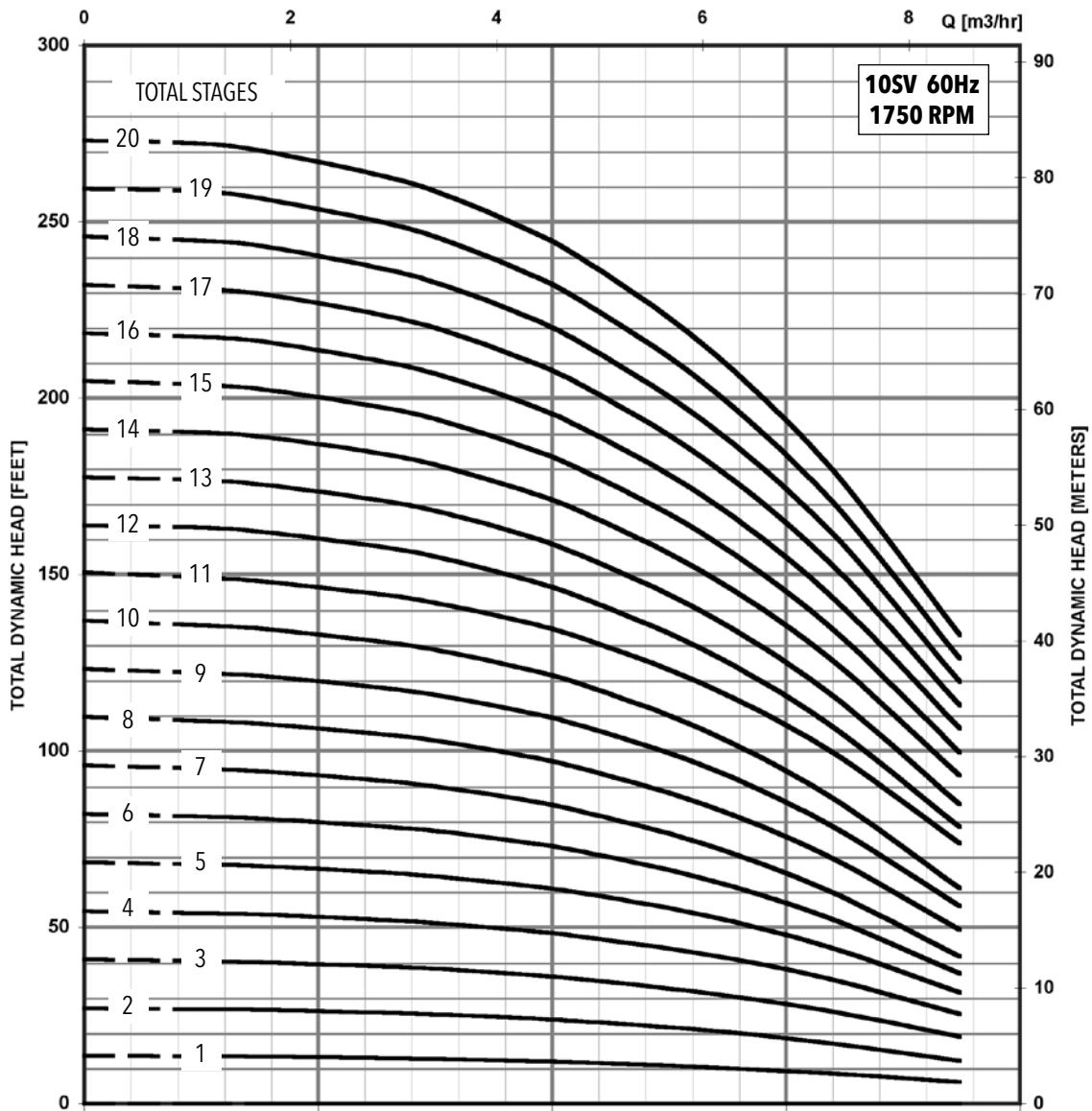
10SV SERIES – 60Hz, 1750 RPM ODP/TEFC Enclosures

Pump Type Stages	Motor				Dimensions (in)											Weight (lbs.)												
	HP	NEMA Frame			L1	L2				L3	L4	L5	L6	M (Ref.)	D1 (max.)				D2	Pump Only	Motor				Pump/Motor			
		ODP 10	TEFC 10	ODP 30		TEFC 30	ODP 10	TEFC 10	ODP 30						TEFC 30	ODP 10	TEFC 10	ODP 30			TEFC 30	ODP 10	TEFC 10	ODP 30	TEFC 30	ODP 10	TEFC 10	ODP 30
10SV-01	56C				16.56	9.16	9.29	9.16	9.29	-	-	16.17	16.17	5.19	6.2	6.19	6.19	6.19	4.13	36	21	21	19	19	57	57	55	55
10SV-02					16.56	9.16	9.29	9.16	9.29	-	-	16.17	16.17	5.19	6.2	6.19	6.19	6.19	4.13	38	21	21	19	19	59	59	57	57
10SV-03					17.82	9.16	9.29	9.16	9.29	-	-	17.43	17.43	5.19	6.2	6.19	6.19	6.19	4.13	40	21	21	19	19	61	61	59	59
10SV-04					19.08	9.16	9.29	9.16	9.29	-	-	18.69	18.69	5.19	6.2	6.19	6.19	6.19	4.13	43	21	21	19	19	64	64	62	62
10SV-05					20.34	9.16	9.29	9.16	9.29	20.34	10.20	19.95	19.95	5.19	6.2	6.19	6.19	6.19	4.13	45	21	21	19	19	66	66	64	64
10SV-06					21.60	10.79	9.91	9.16	9.29	21.60	11.46	21.21	21.21	5.19	6.19	6.19	6.19	6.19	4.13	47	27	29	21	21	74	76	68	68
10SV-07					22.86	10.79	9.91	9.16	9.29	22.86	12.72	22.47	22.47	5.19	6.19	6.19	6.19	6.19	4.13	49	27	29	21	21	76	78	70	70
10SV-08					24.12	10.79	9.91	9.16	9.29	24.12	13.98	23.72	23.72	5.19	6.19	6.19	6.19	6.19	4.13	51	27	29	21	21	78	80	72	72
10SV-09					25.38	10.66	11.19	9.16	9.29	25.38	15.24	24.98	24.98	5.74	6.2	7.19	6.19	6.19	4.13	53	32	40	23	23	85	93	76	76
10SV-10					26.64	10.66	11.19	9.16	9.29	26.64	16.50	26.24	26.24	5.74	6.2	7.19	6.19	6.19	4.13	56	32	40	23	23	88	96	79	79
10SV-11					27.90	10.67	11.19	10.66	9.91	27.90	17.76	27.50	27.50	5.74	6.2	7.19	6.19	6.19	4.72	58	32	40	30	28	90	98	88	86
10SV-12					28.37	10.67	11.19	10.66	9.91	28.37	19.02	27.98	27.98	5.74	6.2	7.19	6.19	6.19	4.72	60	32	40	30	28	92	100	90	88
10SV-13					30.44	10.67	11.19	10.66	9.91	30.44	20.28	30.04	30.04	5.74	6.2	7.19	6.19	6.19	4.72	65	32	40	30	28	97	105	95	93
10SV-14					31.78	10.67	11.19	10.66	9.91	31.78	21.54	31.38	31.38	5.74	6.2	7.19	6.19	6.19	4.72	67	32	40	30	28	99	107	97	95
10SV-15					32.96	11.18	12.06	11.16	10.79	32.96	22.80	32.56	32.56	5.74	7.19	7.19	6.19	6.19	4.72	69	43	51	32	33	112	120	101	102
10SV-16					34.22	11.18	12.06	11.16	10.79	34.22	24.06	33.82	33.82	5.74	7.19	7.19	6.19	6.19	4.72	71	43	51	32	33	114	122	103	104
10SV-17					35.48	11.18	12.06	11.16	10.79	35.48	25.31	35.08	35.08	5.74	7.19	7.19	6.19	6.19	4.72	73	43	51	32	33	116	124	105	106
10SV-18					36.74	11.18	12.06	11.16	10.79	36.74	26.57	36.34	36.34	5.74	7.19	7.19	6.19	6.19	4.72	75	43	51	32	33	118	126	107	108
10SV-19					38.08	11.18	12.06	11.16	10.79	38.08	27.83	37.68	37.68	5.74	7.19	7.19	6.19	6.19	4.72	77	43	51	32	33	120	128	109	110
10SV-20					39.26	11.57	13.44	11.18	11.16	39.26	29.09	38.86	38.86	5.75	6.5	7.19	7.16	7.19	5.51	79	49	64	41	44	128	143	120	123

Performance Curve

10SV 1750 RPM

60 Hz

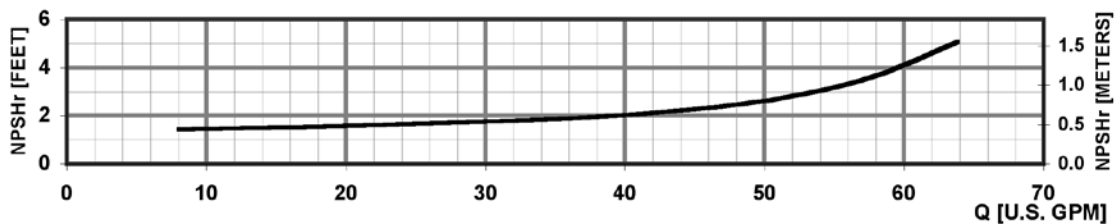
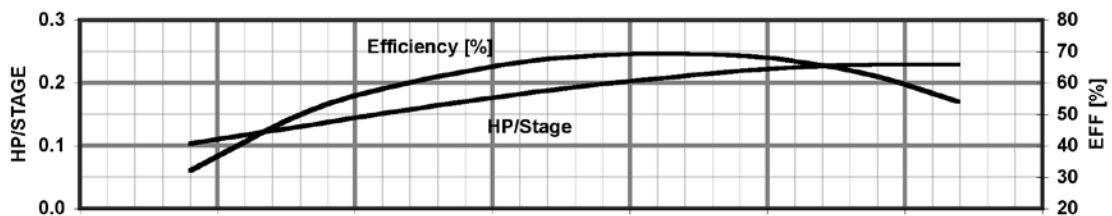
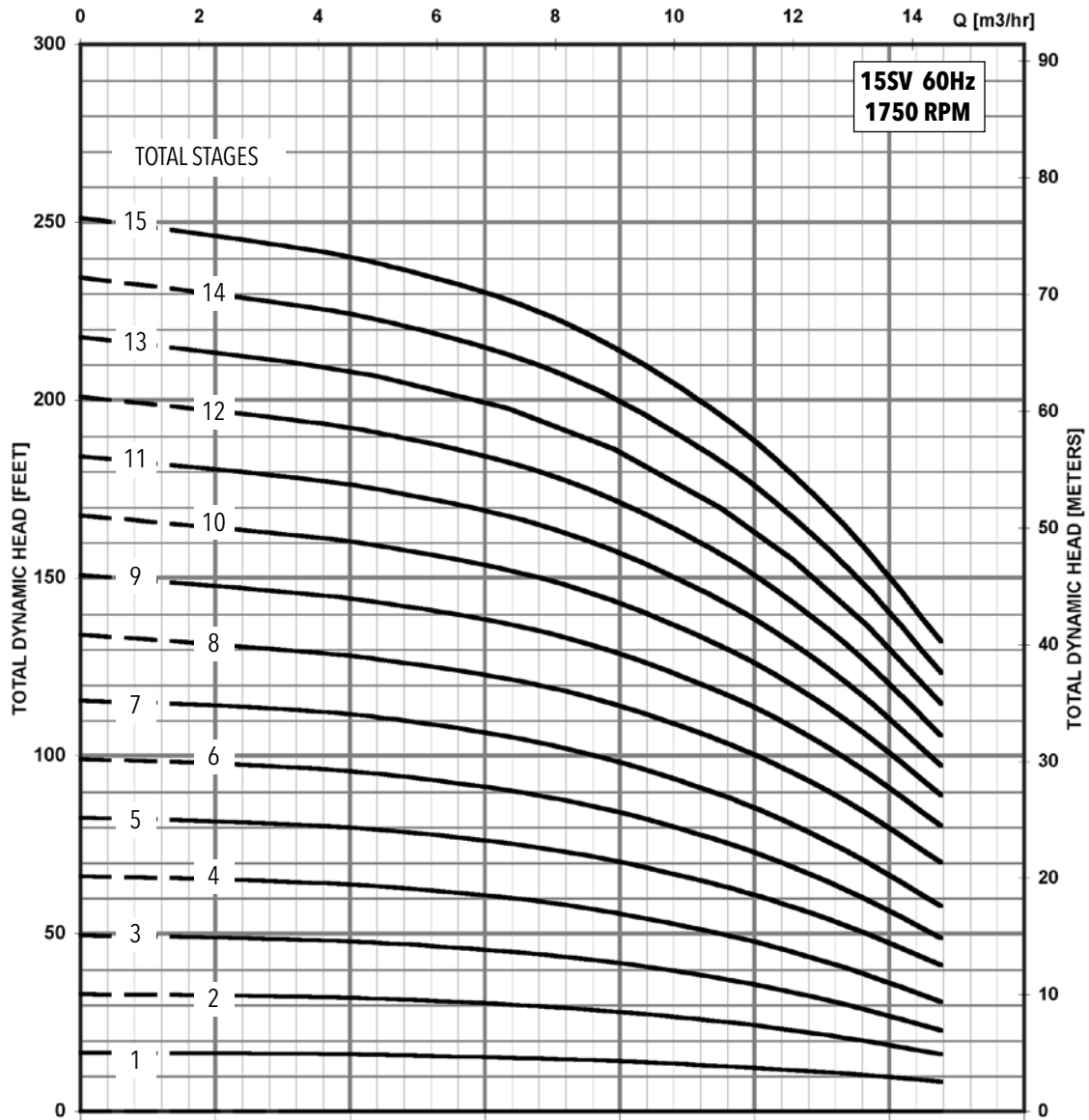


MINIMUM FLOW RATE: 5 GPM [1.4 m³/hr]

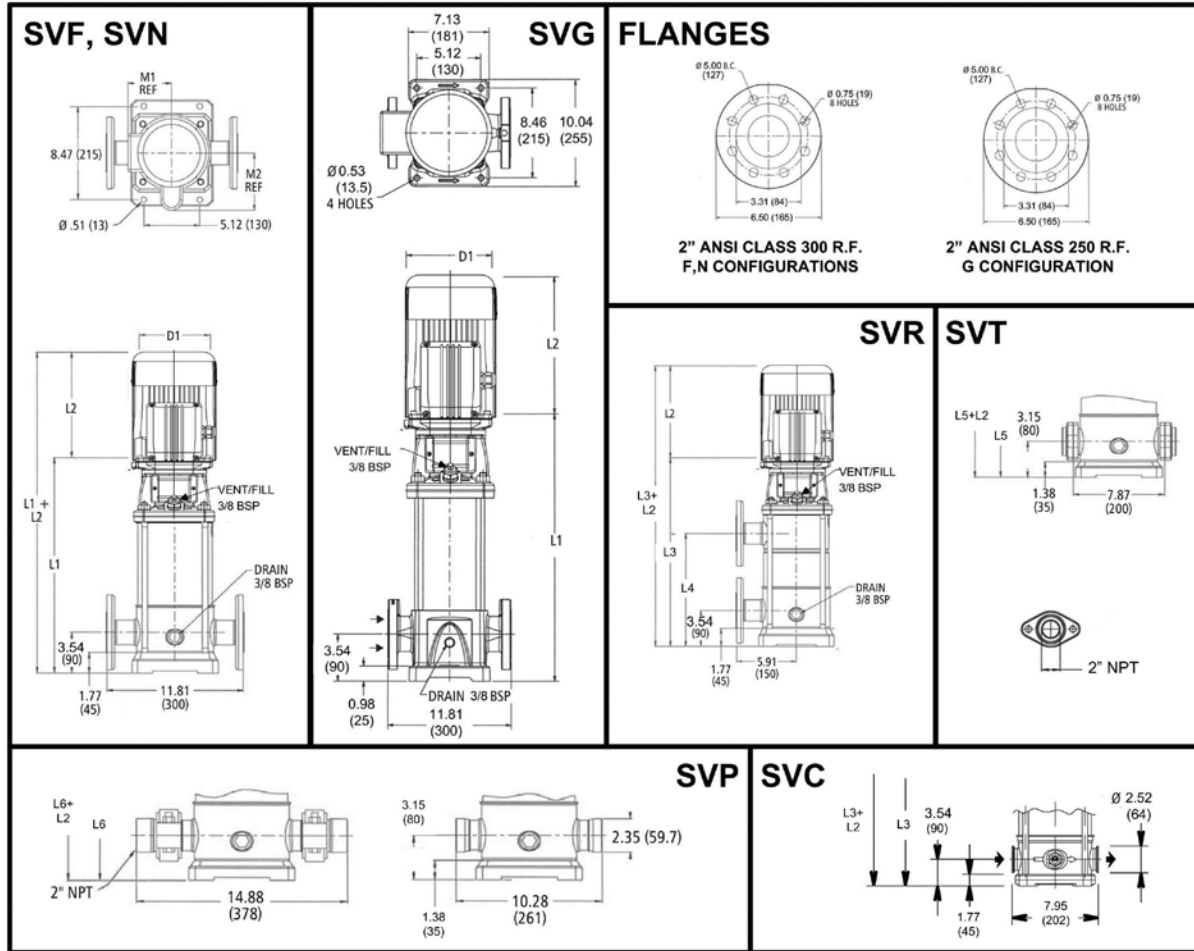
Performance Curve

15SV 1750 RPM

60 Hz



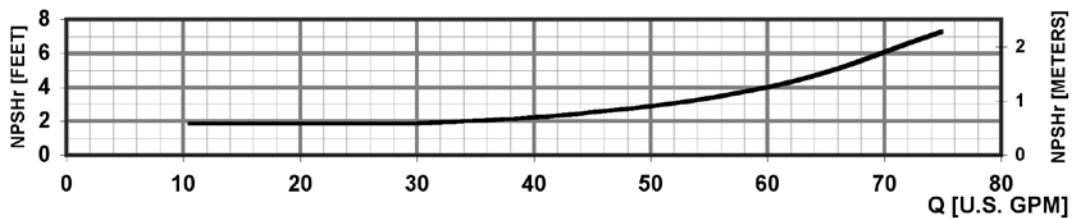
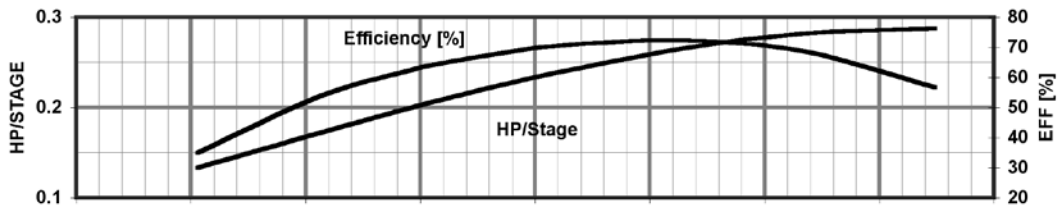
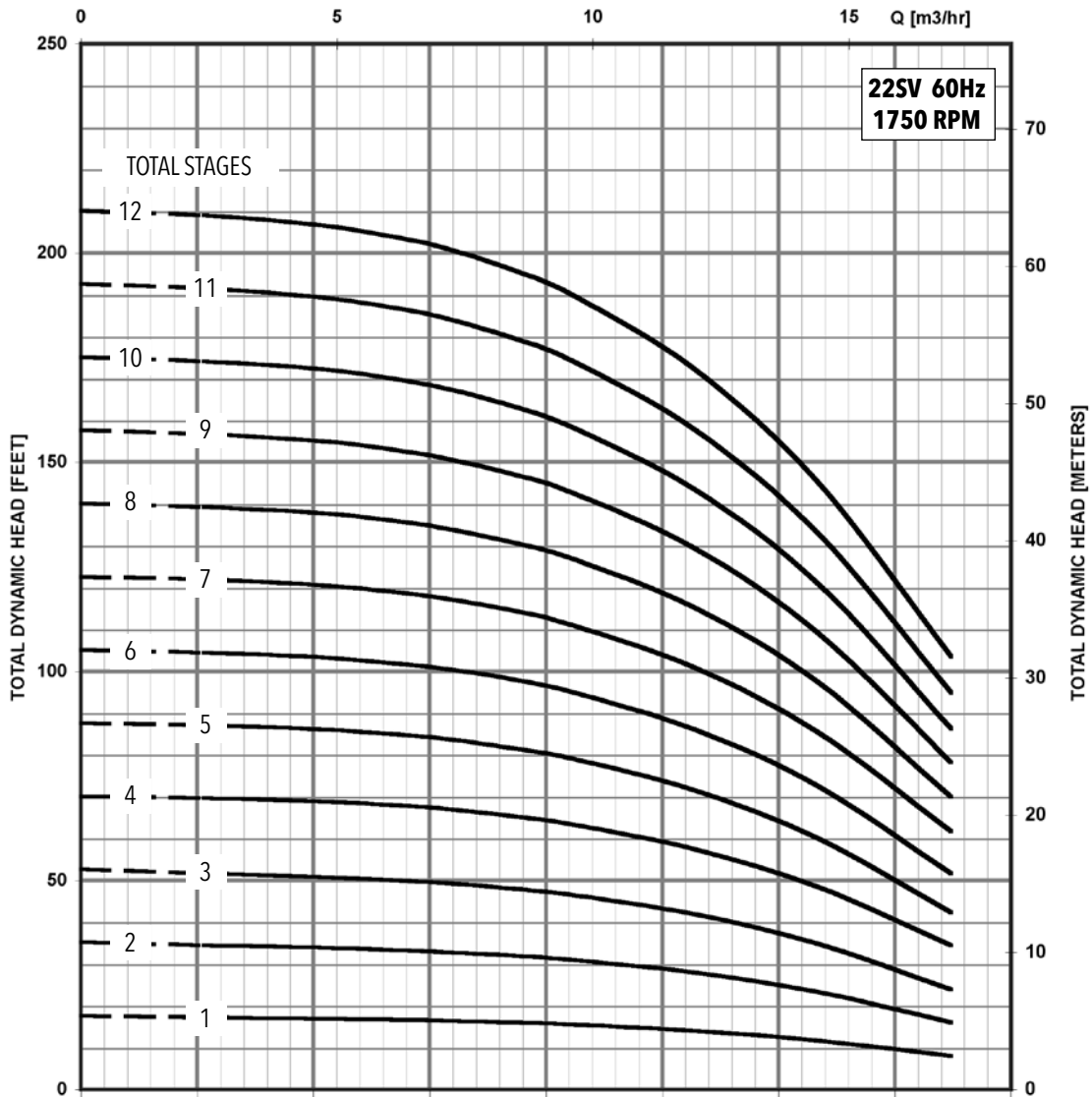
MINIMUM FLOW RATE: 8 GPM [2 m³/hr]



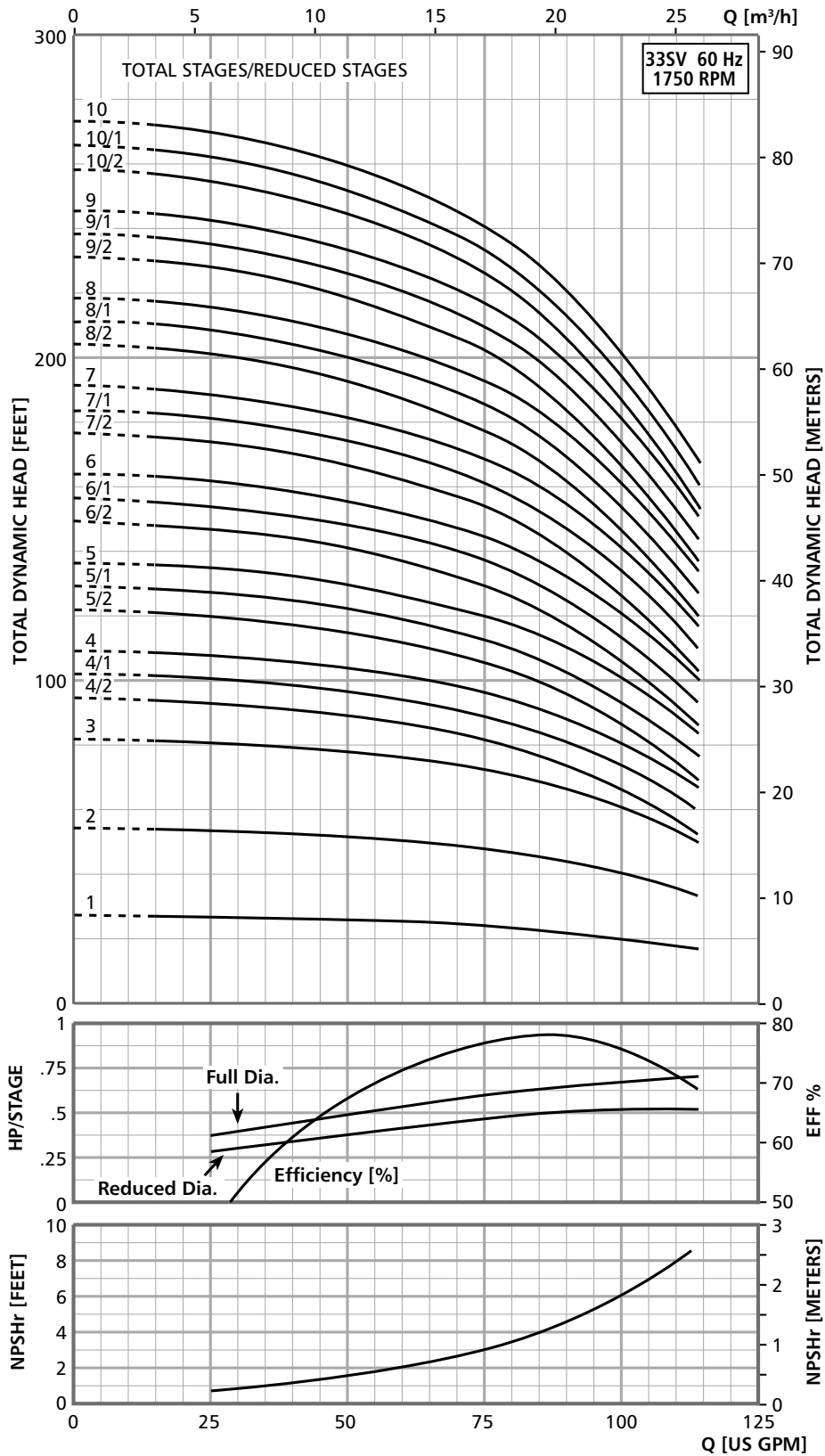
All dimensions are in inches (mm).

22SV SERIES – 60Hz, 1750 RPM ODP/TEFC Enclosures

Pump Type Stages	HP	Motor				Dimensions (in)														Weight (lbs.)									
		NEMA Frame				L1	L2				L3	L4	L5	L6	M (Ref.)	D1 (max.)				D2	Pump Only	Motor				Pump/Motor			
		ODP 1Ø	TEFC 1Ø	ODP 3Ø	TEFC 3Ø		ODP 1Ø	TEFC 1Ø	ODP 3Ø	TEFC 3Ø						ODP 1Ø	TEFC 1Ø	ODP 3Ø	TEFC 3Ø			ODP 1Ø	TEFC 1Ø	ODP 3Ø	TEFC 3Ø	ODP 1Ø	TEFC 1Ø	ODP 3Ø	TEFC 3Ø
22SV01	0.5	56C	18.21	9.16	9.29	9.16	9.29	-	-	18.21	18.21	5.19	6.19	6.19	6.19	6.19	4.13	39	21	21	19	19	60	60	58	58			
22SV02			18.21	9.16	9.29	9.16	9.29	-	-	17.82	17.82	5.19	6.19	6.19	6.19	6.19	4.13	42	21	21	19	19	63	63	61	61			
22SV03	0.75		20.10	10.79	9.91	9.16	9.29	-	-	19.71	19.71	5.19	6.19	6.19	6.19	6.19	4.13	45	27	29	21	21	72	74	66	66			
22SV04	1.5		21.99	10.67	11.19	10.66	9.91	21.99	11.85	21.60	21.60	5.74	6.19	7.19	6.19	6.19	4.72	48	32	40	30	28	80	88	78	76			
22SV05			23.90	10.67	11.19	10.66	9.91	23.90	13.74	23.51	23.51	5.74	6.19	7.19	6.19	6.19	4.72	51	32	40	30	28	83	91	81	79			
22SV06	2		25.79	11.18	12.06	11.16	10.79	25.79	15.63	25.40	25.40	5.74	7.19	7.19	6.19	6.19	4.72	54	43	51	32	33	97	105	86	87			
22SV07			27.68	11.18	12.06	11.16	10.79	27.68	17.52	27.29	27.29	5.74	7.19	7.19	6.19	6.19	4.72	57	43	51	32	33	100	108	89	90			
22SV08	3		29.57	11.57	13.44	11.18	11.16	29.57	19.41	29.18	29.18	5.75	6.50	7.19	7.16	7.19	5.51	60	49	64	41	44	109	124	101	104			
22SV09			31.46	11.57	13.44	11.18	11.16	31.46	21.30	31.07	31.07	5.75	6.50	7.19	7.16	7.19	5.51	62	49	64	41	44	111	126	103	106			
22SV10	3		33.35	11.57	13.44	11.18	11.16	33.35	23.19	32.96	32.96	5.75	6.50	7.19	7.16	7.19	5.51	66	49	64	41	44	115	130	107	110			
22SV11			35.24	11.57	13.44	11.18	11.16	35.24	25.08	34.85	34.85	5.75	6.50	7.19	7.16	7.19	5.51	69	49	64	41	44	118	133	110	113			
22SV12	5		184TC	182TC	184TC	37.63	13.93	15.43	12.55	13.93	37.63	26.97	37.24	37.24	6.87	8.88	8.86	9.02	8.86	5.51	75	81	92	62	69	156	167	137	144



MINIMUM FLOW RATE: 11 GPM [2.5 m³/hr]

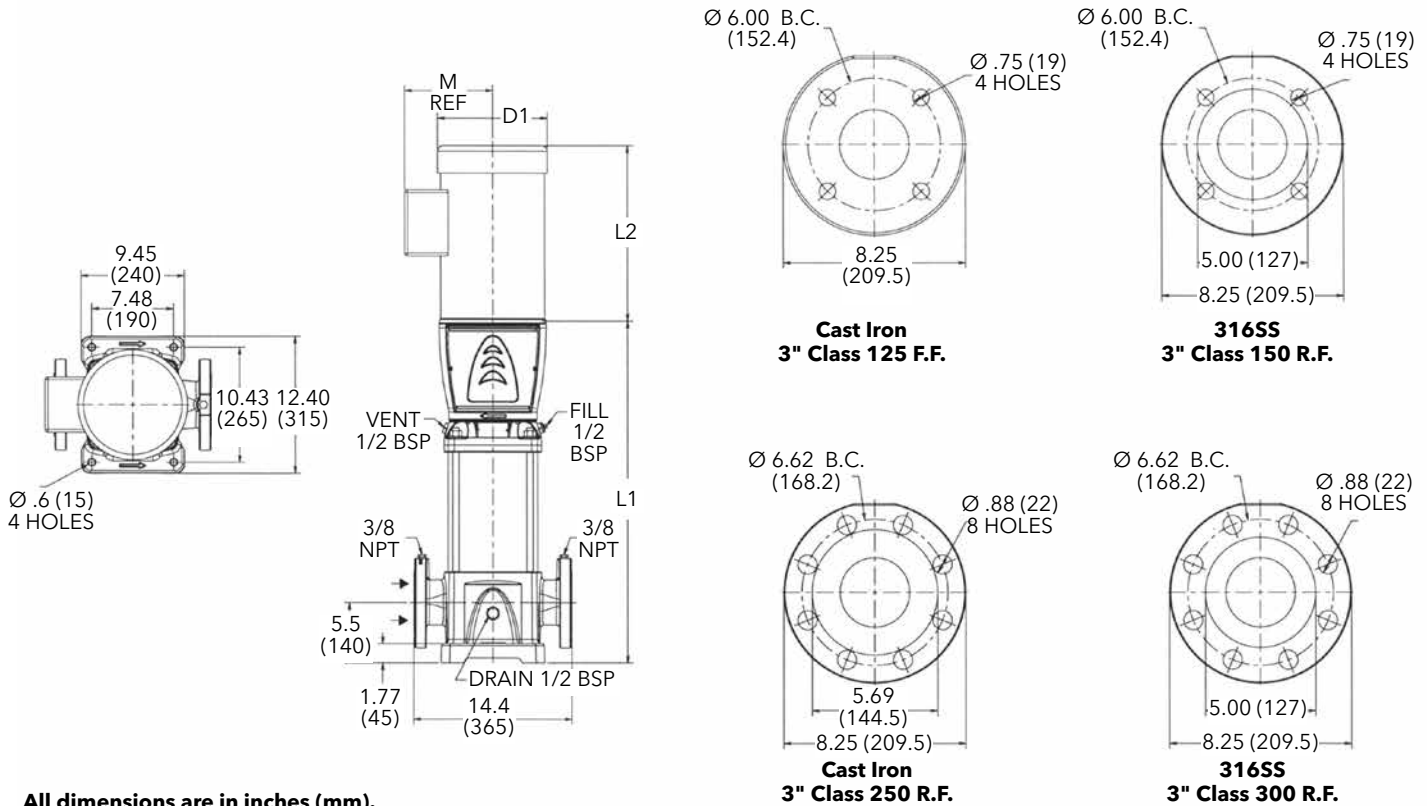


MINIMUM FLOW RATE: 18 GPM [4 m³/hr]

Dimensions and Weights

46SV Series 1750 RPM

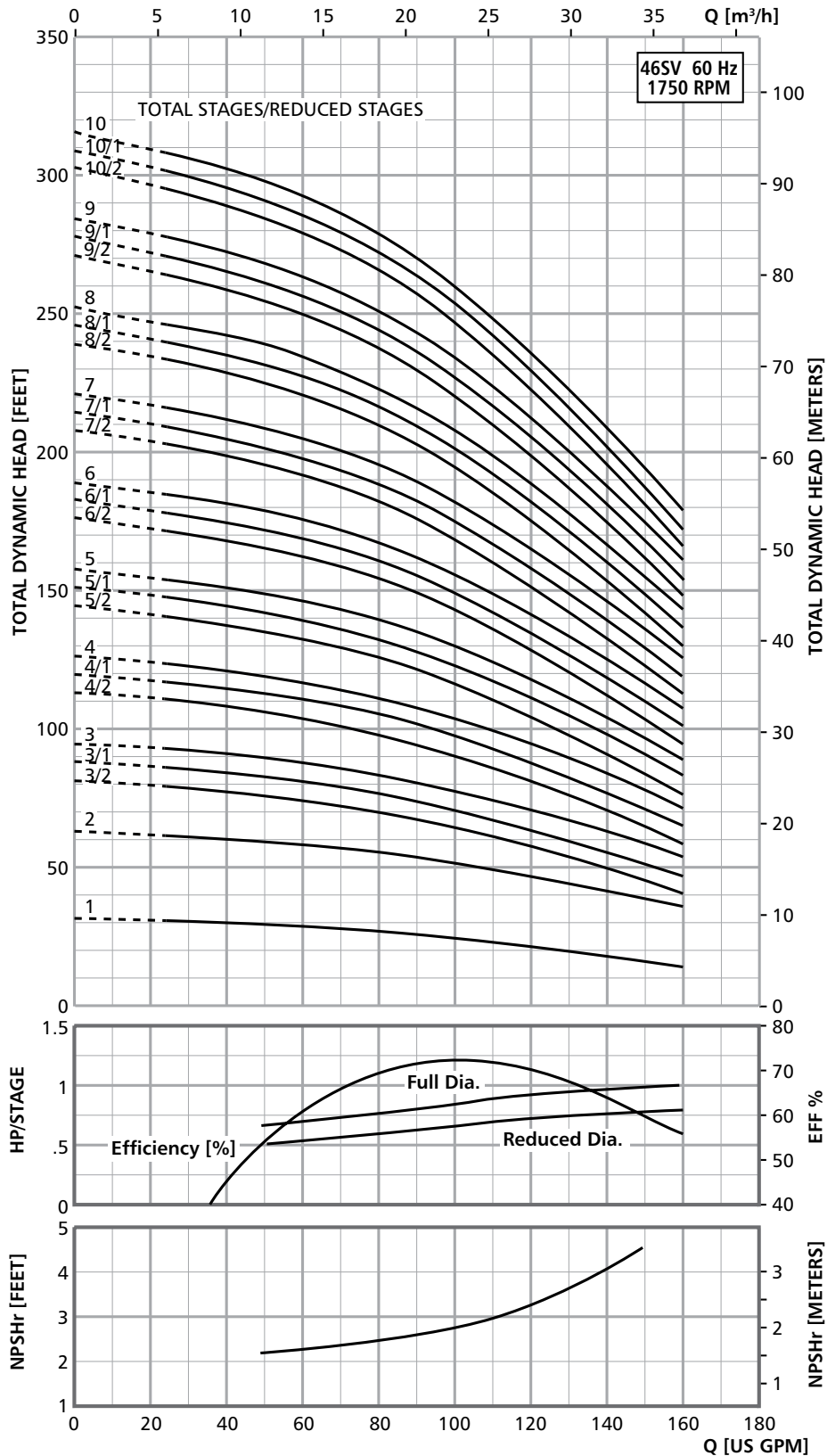
60 Hz



All dimensions are in inches (mm).

46SV SERIES – 60Hz, 1750 RPM ODP/TEFC Enclosures

Pump Type Stages	Motor				Dimensions (in)										Weight (lbs.)									
	HP	NEMA Frame			L1	L2				M (Ref.)	D1 (max.)				D2	Pump Only	Motor				Pump/Motor			
		ODP 1Ø	TEFC 1Ø	ODP 3Ø		TEFC 3Ø	ODP 1Ø	TEFC 1Ø	ODP 3Ø		TEFC 3Ø	ODP 1Ø	TEFC 1Ø	ODP 3Ø			TEFC 3Ø	ODP 1Ø	TEFC 1Ø	ODP 3Ø	TEFC 3Ø	ODP 1Ø	TEFC 1Ø	ODP 3Ø
46SV-1	1.5	-	-	CONTACT FACTORY	22.19	-	-	CONTACT FACTORY	CONTACT FACTORY	CONTACT FACTORY	CONTACT FACTORY	CONTACT FACTORY	CONTACT FACTORY	CONTACT FACTORY	CONTACT FACTORY	147	CONTACT FACTORY							
46SV-2/2	-	-	25.19		-	-	158																	
46SV-2/1	2	-	-		25.19	-	-									158								
46SV-2	-	-	25.19		-	-	158																	
46SV-3/2	-	-	182TC	27.12	-	-	13.94	15.44	6.88	-	-	8.50	8.50	5.51	169	-	-	61	62	-	-	230	231	
46SV-3/1	3	-		-	27.12	-	-	13.94	15.44	6.88	-	-	8.50	8.50	5.51	169	-	-	61	62	-	-	230	231
46SV-3	-	-		27.12	-	-	13.94	15.44	6.88	-	-	8.50	8.50	5.51	169	-	-	61	62	-	-	230	231	
46SV-4/2	-	-	184TC	31.63	-	-	13.94	15.44	6.88	-	-	8.50	8.50	5.51	192	-	-	68	75	-	-	260	267	
46SV-4/1	-	-		31.63	-	-	13.94	15.44	6.88	-	-	8.50	8.50	5.51	192	-	-	68	75	-	-	260	267	
46SV-4	-	-		31.63	-	-	13.94	15.44	6.88	-	-	8.50	8.50	5.51	192	-	-	68	75	-	-	260	267	
46SV-5/2	5	-		-	35.56	-	-	13.94	15.44	6.88	-	-	8.50	8.50	5.51	199	-	-	68	75	-	-	267	274
46SV-5/1	-	-		35.56	-	-	13.94	15.44	6.88	-	-	8.50	8.50	5.51	199	-	-	68	75	-	-	267	274	
46SV-5	-	-		35.56	-	-	13.94	15.44	6.88	-	-	8.50	8.50	5.51	199	-	-	68	75	-	-	267	274	
46SV-6/2	-	-		37.50	-	-	15.56	15.50	8.06	-	-	10.19	10.25	5.51	208	-	-	68	75	-	-	276	283	
46SV-6/1	-	-		37.50	-	-	15.56	15.50	8.06	-	-	10.19	10.25	5.51	208	-	-	122	125	-	-	330	333	
46SV-6	-	-	37.50	-	-	15.56	15.50	8.06	-	-	10.19	10.25	5.51	208	-	-	122	125	-	-	330	333		
46SV-7/2	-	-	213TC	39.94	-	-	15.56	15.50	8.06	-	-	10.19	10.25	5.51	233	-	-	122	125	-	-	355	358	
46SV-7/1	7.5	-		-	39.94	-	-	15.56	15.50	8.06	-	-	10.19	10.25	5.51	233	-	-	122	125	-	-	355	358
46SV-7	-	-		39.94	-	-	15.56	15.50	8.06	-	-	10.19	10.25	5.51	233	-	-	122	125	-	-	355	358	
46SV-8/2	-	-		42.94	-	-	15.56	15.50	8.06	-	-	10.19	10.25	5.51	242	-	-	122	125	-	-	364	367	
46SV-8/1	-	-		42.94	-	-	15.56	15.50	8.06	-	-	10.19	10.25	5.51	242	-	-	122	125	-	-	364	367	
46SV-8	-	-		42.94	-	-	15.56	15.50	8.06	-	-	10.19	10.25	5.51	242	-	-	122	125	-	-	364	367	
46SV-9/2	10	-		-	45.88	-	-	15.56	15.50	8.06	-	-	10.19	10.25	5.51	253	-	-	125	129	-	-	378	382
46SV-9/1	-	-		45.88	-	-	15.56	15.50	8.06	-	-	10.19	10.25	5.51	253	-	-	125	129	-	-	378	382	
46SV-9	-	-	45.88	-	-	15.56	15.50	8.06	-	-	10.19	10.25	5.51	253	-	-	125	129	-	-	378	382		
46SV-10/2	-	-	48.12	-	-	15.56	15.50	8.06	-	-	10.19	10.25	5.51	164	-	-	125	129	-	-	289	293		

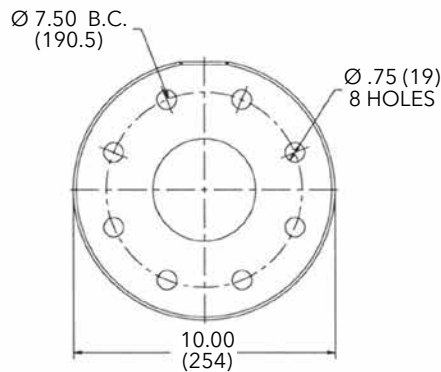
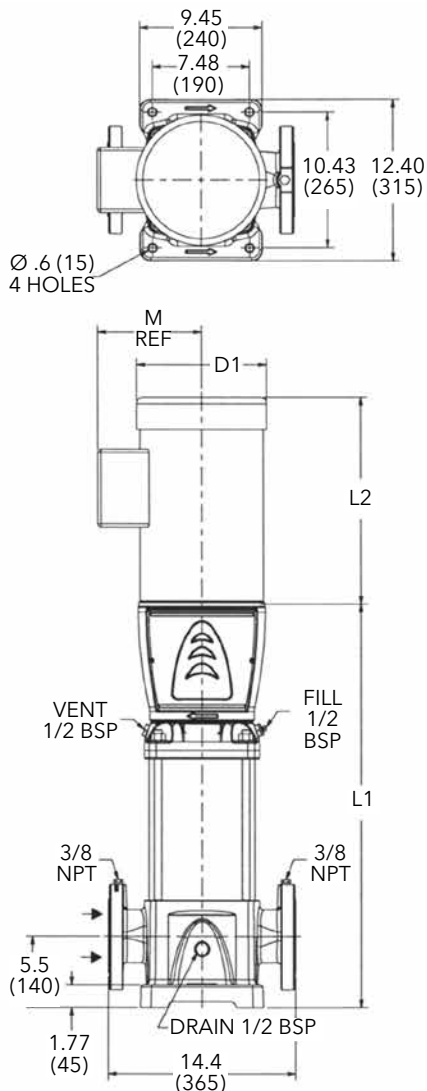


MINIMUM FLOW RATE: 20 GPM [5 m³/hr]

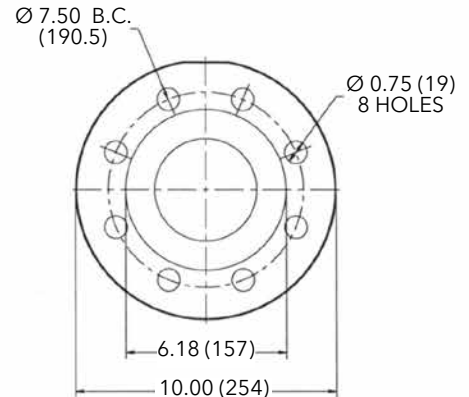
Dimensions and Weights

66SV Series 1750 RPM

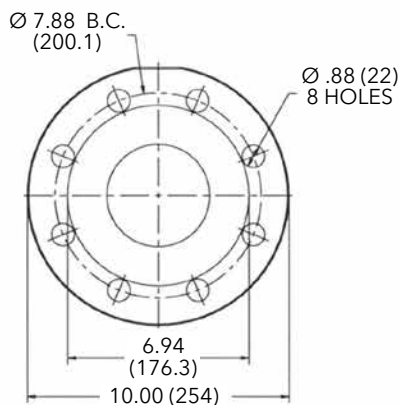
60 Hz



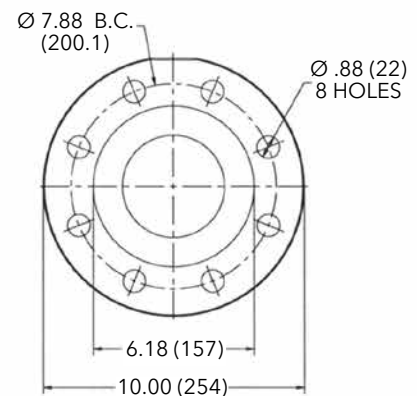
**Cast Iron
4" Class 125 F.F.**



**316SS
4" Class 150 R.F.**



**Cast Iron
4" Class 250 R.F.**

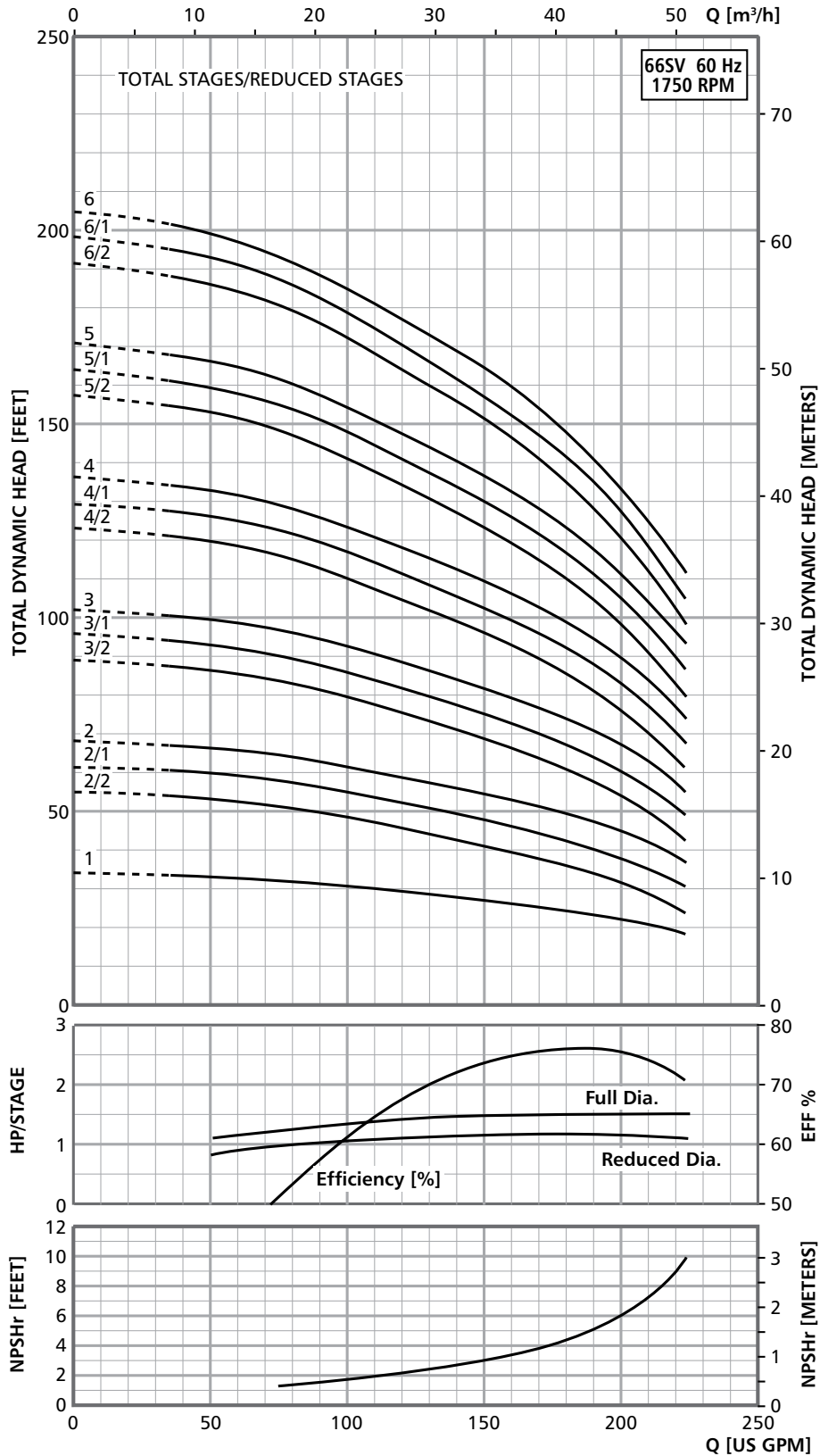


**316SS
4" Class 300 R.F.**

All dimensions are in inches (mm).

66SV SERIES – 60Hz, 1750 RPM ODP/TEFC Enclosures

Pump Type Stages	Motor				Dimensions (in)									Weight (lbs.)										
	HP	NEMA Frame			L1	L2				M (Ref.)	D1 (max.)				D2	Pump Only	Motor				Pump/Motor			
		ODP 1Ø	TEFC 1Ø	ODP 3Ø		TEFC 3Ø	ODP 1Ø	TEFC 1Ø	ODP 3Ø		TEFC 3Ø	ODP 1Ø	TEFC 1Ø	ODP 3Ø			TEFC 3Ø	ODP 1Ø	TEFC 1Ø	ODP 3Ø	TEFC 3Ø			
66SV-1		CONTACT FACTORY			23.19	CONTACT FACTORY					CONTACT FACTORY					185	CONTACT FACTORY							
66SV-2/2	3	-	-	182TC	26.75	-	-	13.94	15.44	6.88	-	-	8.50	8.50	5.51	196	-	-	61	62	-	-	257	258
66SV-2/1		-	-		26.75	-	-	13.94	15.44	6.88	-	-	8.50	8.50	5.51	196	-	-	61	62	-	-	257	258
66SV-2		-	-		26.75	-	-	13.94	15.44	6.88	-	-	8.50	8.50	5.51	196	-	-	61	62	-	-	257	258
66SV-3/2	5	-	-	184TC	30.81	-	-	13.94	15.44	6.88	-	-	8.50	8.50	5.51	223	-	-	68	75	-	-	291	298
66SV-3/1		-	-		30.81	-	-	13.94	15.44	6.88	-	-	8.50	8.50	5.51	223	-	-	68	75	-	-	291	298
66SV-3		-	-		30.81	-	-	13.94	15.44	6.88	-	-	8.50	8.50	5.51	223	-	-	68	75	-	-	291	298
66SV-4/2	7.5	-	-	213TC	34.38	-	-	13.94	15.44	6.88	-	-	8.50	8.50	5.51	234	-	-	68	75	-	-	302	309
66SV-4/1		-	-		34.38	-	-	13.94	15.44	6.88	-	-	8.50	8.50	5.51	234	-	-	68	75	-	-	302	309
66SV-4		-	-		34.38	-	-	15.56	15.50	8.06	-	-	10.19	10.25	5.51	234	-	-	122	125	-	-	356	359
66SV-5/2	10	-	-	215TC	37.44	-	-	15.56	15.50	8.06	-	-	10.19	10.25	5.51	252	-	-	122	125	-	-	374	377
66SV-5/1		-	-		37.44	-	-	15.56	15.50	8.06	-	-	10.19	10.25	5.51	252	-	-	122	125	-	-	374	377
66SV-5		-	-		37.44	-	-	15.56	15.50	8.06	-	-	10.19	10.25	5.51	252	-	-	122	125	-	-	374	377
66SV-6/2	10	-	-	215TC	40.94	-	-	15.56	15.50	8.06	-	-	10.19	10.25	5.51	266	-	-	122	129	-	-	388	391
66SV-6/1		-	-		40.94	-	-	15.56	15.50	8.06	-	-	10.19	10.25	5.51	266	-	-	125	129	-	-	391	395
66SV-6		-	-		40.94	-	-	15.56	15.50	8.06	-	-	10.19	10.25	5.51	266	-	-	125	129	-	-	391	395

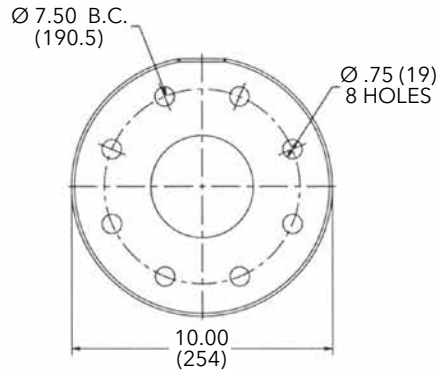
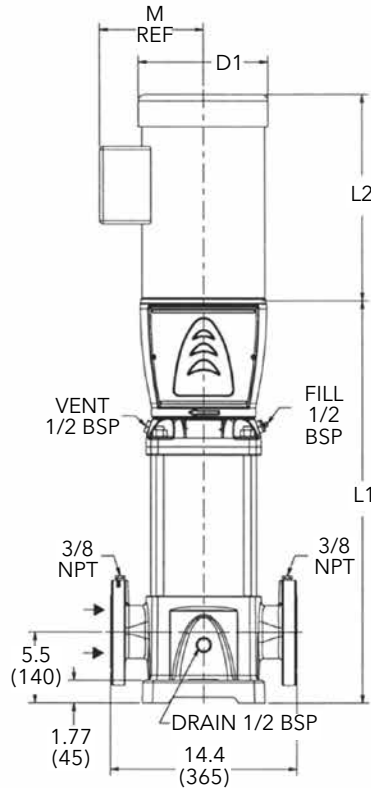
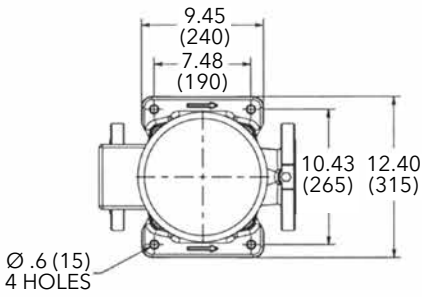


MINIMUM FLOW RATE: 35 GPM [8 m³/hr]

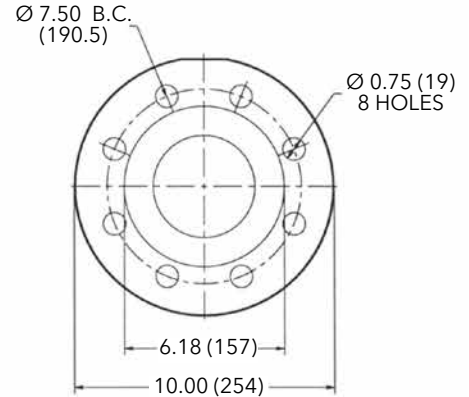
Dimensions and Weights

92SV Series 1750 RPM

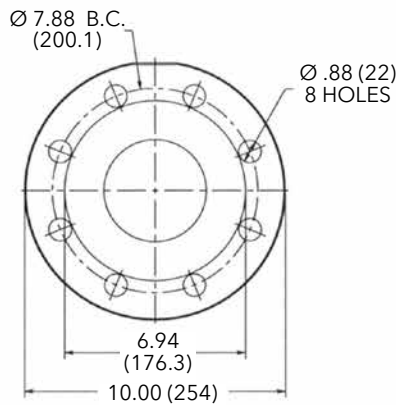
60 Hz



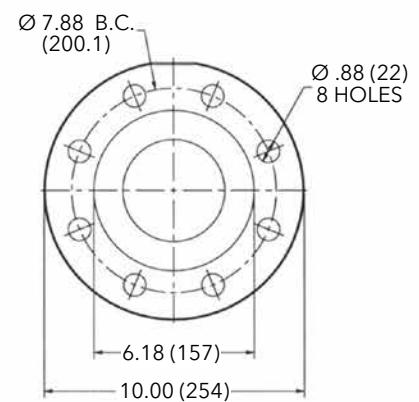
Cast Iron
4" Class 125 R.F.



316SS
4" Class 150 R.F.



Cast Iron
4" Class 250 R.F.

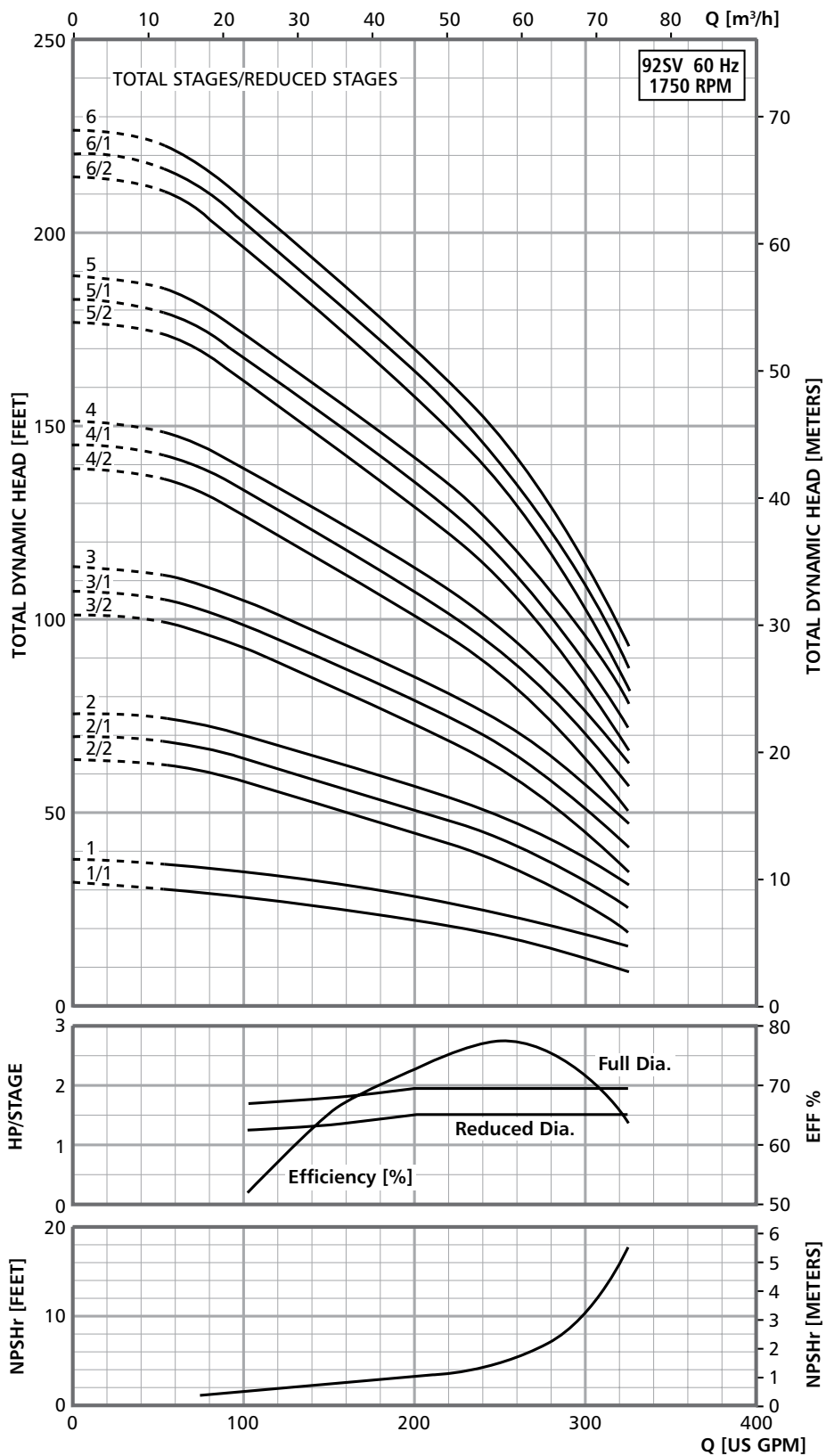


316SS
4" Class 300 R.F.

All dimensions are in inches (mm).

92SV SERIES – 60Hz, 1750 RPM ODP/TEFC Enclosures

Pump Type Stages	Motor				Dimensions (in)											Weight (lbs.)								
	HP	NEMA Frame			L1	L2				M (Ref.)	D1 (max.)				D2	Pump Only	Motor				Pump/Motor			
		ODP 10	TEFC 10	ODP 30		TEFC 30	ODP 10	TEFC 10	ODP 30		TEFC 30	ODP 10	TEFC 10	ODP 30			TEFC 30	ODP 10	TEFC 10	ODP 30	TEFC 30	ODP 10	TEFC 10	ODP 30
92SV-1	3	-	-	182TC	23.19	-	-	15.56	16.56	9.25	-	-	10.19	10.31	5.51	185	-	-	61	62	-	-	246	247
92SV-2/2		-	-		26.75	-	-	15.56	16.56	9.25	-	-	10.19	10.31	5.51	196	-	-	61	62	-	-	257	258
92SV-2/1	5	-	-	184TC	26.75	-	-	15.56	16.56	9.25	-	-	10.19	10.31	5.51	196	-	-	61	62	-	-	257	258
92SV-2		-	-		26.75	-	-	15.56	16.56	9.25	-	-	10.19	10.31	5.51	196	-	-	68	75	-	-	264	271
92SV-3/2		-	-		30.81	-	-	15.56	16.56	9.25	-	-	10.19	10.31	5.51	223	-	-	68	75	-	-	291	298
92SV-3/1		-	-		30.81	-	-	15.56	16.56	9.25	-	-	10.19	10.31	5.51	223	-	-	68	75	-	-	291	298
92SV-3		-	-		30.81	-	-	15.56	16.56	9.25	-	-	10.19	10.31	5.51	223	-	-	68	75	-	-	291	298
92SV-4/2	7.5	-	-	213TC	34.38	-	-	15.56	15.50	8.06	-	-	10.19	10.25	5.51	234	-	-	122	125	-	-	356	359
92SV-4/1		-	-		34.38	-	-	15.56	15.50	8.06	-	-	10.19	10.25	5.51	234	-	-	122	125	-	-	356	359
92SV-4		-	-		34.38	-	-	15.56	15.50	8.06	-	-	10.19	10.25	5.51	234	-	-	122	125	-	-	356	359
92SV-5/2		-	-		37.44	-	-	15.56	15.50	8.06	-	-	10.19	10.25	5.51	252	-	-	122	125	-	-	374	377
92SV-5/1	10	-	-	215TC	37.44	-	-	15.56	15.50	8.06	-	-	10.19	10.25	5.51	252	-	-	125	129	-	-	377	381
92SV-5		-	-		37.44	-	-	15.56	15.50	8.06	-	-	10.19	10.25	5.51	252	-	-	125	129	-	-	377	381
92SV-6/2		-	-		40.94	-	-	15.56	15.50	8.06	-	-	10.19	10.25	5.51	266	-	-	125	129	-	-	391	395
92SV-6/1	-	-	40.94	-	-	15.56	15.50	8.06	-	-	10.19	10.25	5.51	266	-	-	125	129	-	-	391	395		
92SV-6	-	-	40.94	-	-	15.56	15.50	8.06	-	-	10.19	10.25	5.51	266	-	-	125	129	-	-	391	395		



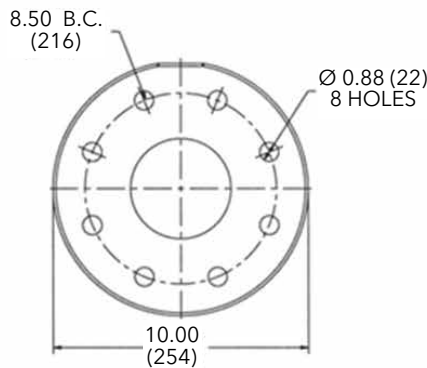
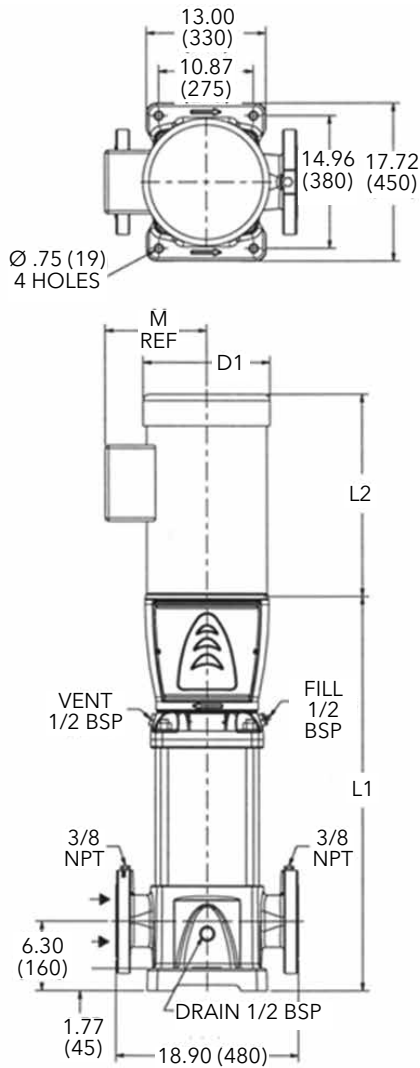
MINIMUM FLOW RATE: 50 GPM [11 m³/hr]

Commercial Water

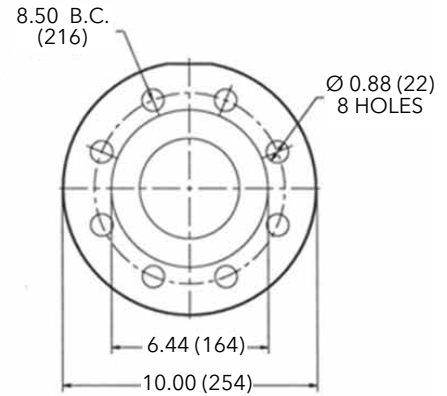
Dimensions and Weights

125SV Series 1750 RPM

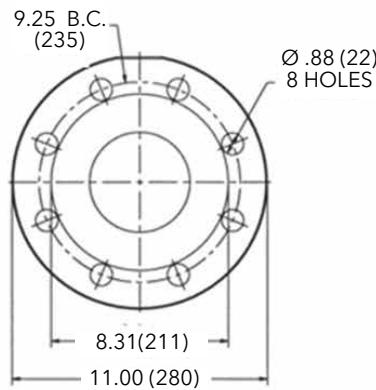
60 Hz



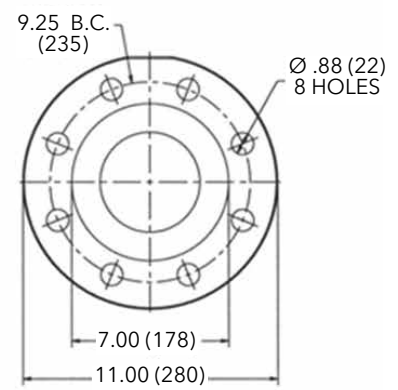
**Cast Iron
5" Class 125 F.F.**



**316SS
5" Class 150 R.F.**



**Cast Iron
5" Class 250 R.F.**

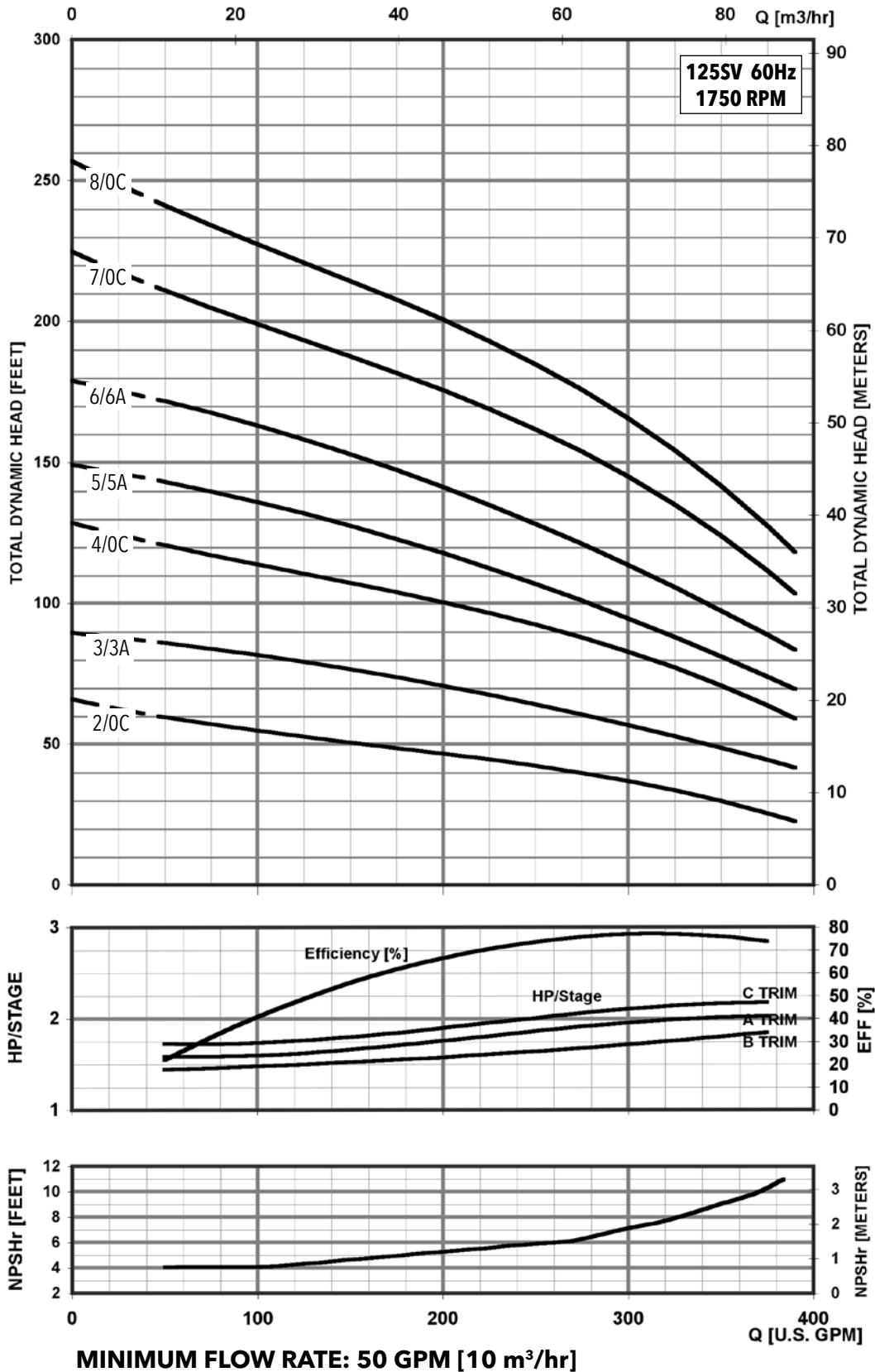


**316SS
5" Class 300 R.F.**

All dimensions are in inches (mm).

125SV SERIES – 60Hz, 1750 RPM ODP/TEFC Enclosures

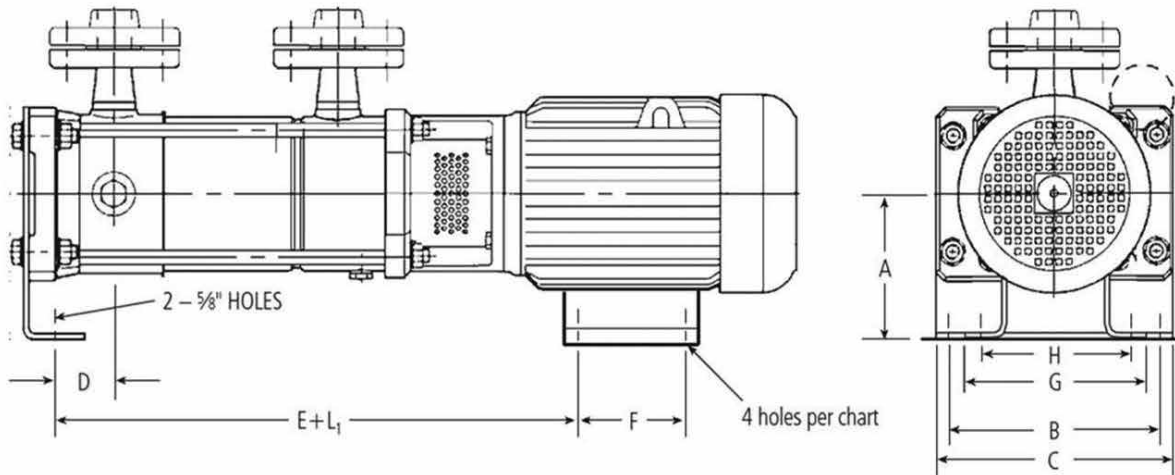
Pump Type	HP	Motor				Dimensions (in)											Weight (lbs.)												
		NEMA Frame				L1	L2				L3	L4	L5	L6	M (Ref.)	D1 (max.)				D2	Pump	Motor				Pump/Motor			
		ODP 1Ø	TEFC 1Ø	ODP 3Ø	TEFC 3Ø		ODP 1Ø	TEFC 1Ø	ODP 3Ø	TEFC 3Ø						ODP 1Ø	TEFC 1Ø	ODP 3Ø	TEFC 3Ø			ODP 1Ø	TEFC 1Ø	ODP 3Ø	TEFC 3Ø	ODP 1Ø	TEFC 1Ø	ODP 3Ø	TEFC 3Ø
125SV20C	5	184TC	184TC	182TC	184TC	34.60	13.93	15.43	12.55	13.93	-	-	-	-	6.87	8.88	8.86	9.02	8.86	5.51	289	81	92	62	69	370	381	351	358
125SV33A	5	184TC	184TC	182TC	184TC	40.50	13.93	15.43	12.55	13.93	-	-	-	-	6.87	8.88	8.86	9.02	8.86	5.51	315	81	92	62	69	396	407	377	384
125SV40C	7.5	213TC	213TC	184TC	184TC	46.40	13.88	15.53	13.93	15.43	-	-	-	-	8.05	8.89	10.62	8.88	8.86	5.51	355	100	120	75	85	455	475	430	440
125SV55A	10	215TC	215TC	213TC	215TC	52.30	16.63	16.68	15.55	15.51	-	-	-	-	8.77	10.62	10.18	10.18	10.28	5.51	379	132	145	107	122	511	524	486	501
125SV66A	10	215TC	215TC	213TC	215TC	58.20	16.63	16.68	15.55	15.51	-	-	-	-	8.77	10.62	10.18	10.18	10.28	5.51	412	132	145	107	122	544	557	519	534
125SV70C	15	-	-	215TC	254TC	65.30	-	-	15.55	16.57	-	-	-	-	9.22	-	-	10.18	10.28	5.51	476	-	-	125	195	-	-	601	671
125SV80C	15	-	-	215TC	254TC	71.10	-	-	15.55	16.57	-	-	-	-	9.22	-	-	10.18	10.28	5.51	494	-	-	125	195	-	-	619	689



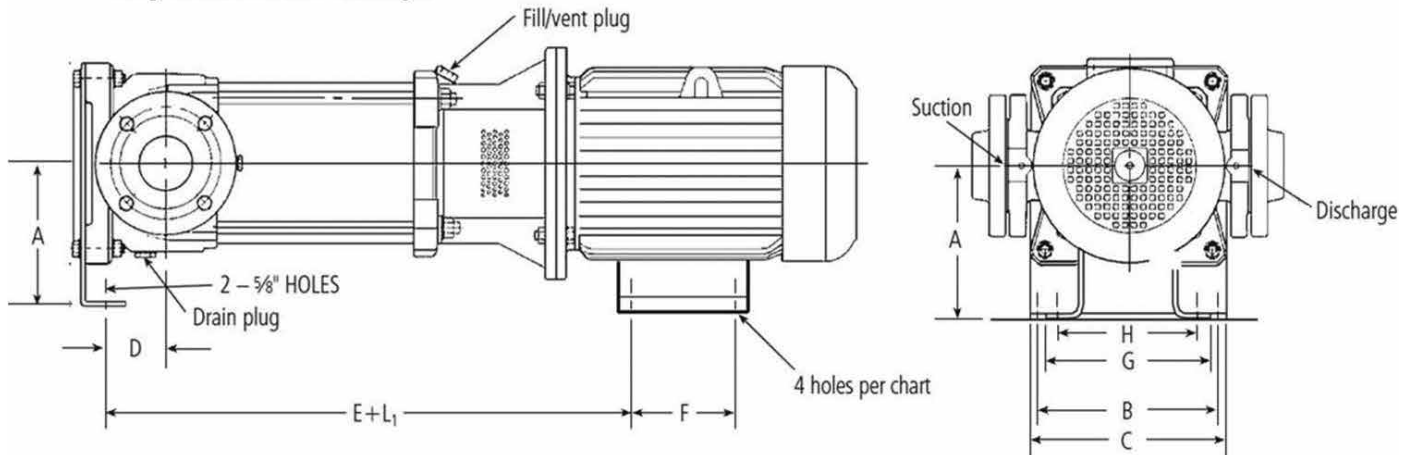
Commercial Water

1SV - 22SV Horizontal Mounting Option

- Consists of e-SV pump with base mounting foot and footed motor for horizontal installations.
- Unit depicted may not show actual pump configuration. Use for mounting location only.



Flanges can be rotated 90° left or right.



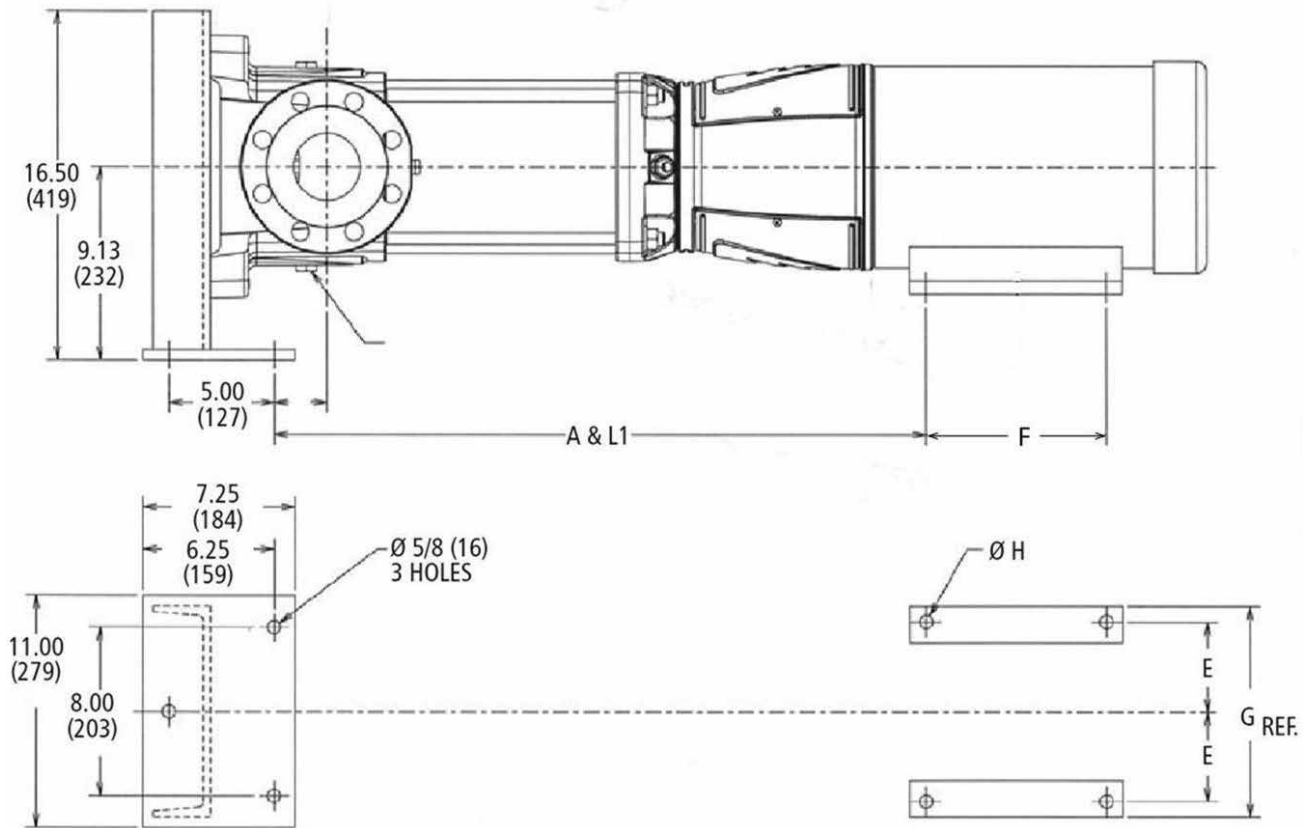
1SV - 22SV HORIZONTAL MOUNTING OPTION

Series	Motor Frame	Flange	A	B	C	D	E	F	G	H	Motor Shim Thickness	Pump Shim Thickness
1SV	56C	T	4.5	7	9	0.219	0.810	3	6.563	4.825	1	-
		F, N, P, G, C	4.5	7	9	1.125	0.810	3	6.563	4.825	1	-
		R	4.5	11	12	1.254	0.940	3	6.563	4.825	1	-
3SV	56C	T	4.5	7	9	0.219	0.81	3	6.563	4.825	1	-
		F, N, P, G, C	4.5	7	9	1.125	0.81	3	6.563	4.825	1	-
		R	4.5	11	12	1.254	0.94	3	6.563	4.825	1	-
	180TC	T	4.5	7	9	0.219	1.88	5.5	6.563	4.825	-	-
		F, N, P, G, C	4.5	7	9	1.125	1.88	5.5	6.563	4.825	-	-
		R	4.5	11	12	1.254	2.01	5.5	6.563	4.825	-	-
	210TC	T	4.5	7	9	0.219	2.5	7	6.563	4.825	-	0.75
		F, N, P, G, C	4.5	7	9	1.125	2.5	7	6.563	4.825	-	0.75
		R	4.5	11	12	1.254	2.63	7	6.563	4.825	-	0.75
5SV	56C	T	4.5	7	9	0.219	0.81	3	6.563	4.825	1	-
		F, N, P, G, C	4.5	7	9	1.125	0.81	3	6.563	4.825	1	-
		R	4.5	11	12	1.254	0.94	3	6.563	4.825	1	-
	180TC	T	4.5	7	9	0.219	1.88	5.5	6.563	4.825	-	-
		F, N, P, G, C	4.5	7	9	1.125	1.88	5.5	6.563	4.825	-	-
		R	4.5	11	12	1.254	2.01	5.5	6.563	4.825	-	-
	210TC	T	4.5	7	9	0.219	2.5	7	6.563	4.825	-	0.75
		F, N, P, G, C	4.5	7	9	1.125	2.5	7	6.563	4.825	-	0.75
		R	4.5	11	12	1.254	2.63	7	6.563	4.825	-	0.75
10SV	56C	T	6.25	9.125	10.50	1.59	1	3	6.563	4.825	2.75	-
		F, N, P, G, C	6.25	9.125	10.50	1.983	1	3	6.563	4.825	2.75	-
		R	6.25	11.875	13.25	1.983	1	3	6.563	4.825	1	-
	180TC	T	6.25	9.125	10.50	1.59	2.07	5.5	8.625	7.50	1.75	-
		F, N, P, G, C	6.25	9.125	10.50	1.983	2.07	5.5	8.625	7.50	1.75	-
		R	6.25	11.875	13.25	1.983	2.07	5.5	8.625	7.50	-	-
	210TC	T	6.25	9.125	10.50	1.59	2.69	7	9.500	8.50	1	-
		F, N, P, G, C	6.25	9.125	10.50	1.983	2.69	7	9.500	8.50	1	-
		R	6.25	11.875	13.25	1.983	2.69	7	9.500	8.50	-	0.75
	250TC	T	6.25	9.125	10.50	1.59	3.19	10	11.500	10.00	-	-
		F, N, P, G, C	6.25	9.125	10.50	1.983	3.19	10	11.500	10.00	-	-
		R	6.25	11.875	13.25	1.983	3.19	10	11.500	10.00	-	1.75
15SV	56C	T	6.25	9.125	10.50	1.59	1	3	6.563	4.825	2.75	-
		F, N, P, G, C	6.25	9.125	10.50	1.983	1	3	6.563	4.825	2.75	-
		R	6.25	11.875	13.25	1.983	1	3	6.563	4.825	1	-
	180TC	T	6.25	9.125	10.50	1.59	2.07	5.5	8.625	7.50	1.75	-
		F, N, P, G, C	6.25	9.125	10.50	1.983	2.07	5.5	8.625	7.50	1.75	-
		R	6.25	11.875	13.25	1.983	2.07	5.5	8.625	7.50	-	-
	210TC	T	6.25	9.125	10.50	1.59	2.69	7	9.500	8.50	1	-
		F, N, P, G, C	6.25	9.125	10.50	1.983	2.69	7	9.500	8.50	1	-
		R	6.25	11.875	13.25	1.983	2.69	7	9.500	8.50	-	0.75
	250TC	T	6.25	9.125	10.50	1.59	3.19	10	11.500	10.00	-	-
		F, N, P, G, C	6.25	9.125	10.50	1.983	3.19	10	11.500	10.00	-	-
		R	6.25	11.875	13.25	1.983	3.19	10	11.500	10.00	-	1.75
	280TC	T	6.25	9.125	10.50	1.59	3.19	11	12.750	12.50	-	0.75
		F, N, P, G, C	6.25	9.125	10.50	1.983	3.19	11	12.750	12.50	-	0.75
		R	6.25	11.875	13.25	1.983	3.19	11	12.750	12.50	-	2.50
22SV	56C	T	6.25	9.125	10.50	1.59	1	3	6.563	4.825	2.75	-
		F, N, P, G, C	6.25	9.125	10.50	1.983	1	3	6.563	4.825	2.75	-
		R	6.25	11.875	13.25	1.983	1	3	6.563	4.825	1	-
	180TC	T	6.25	9.125	10.50	1.59	2.07	5.5	8.625	7.50	1.75	-
		F, N, P, G, C	6.25	9.125	10.50	1.983	2.07	5.5	8.625	7.50	1.75	-
		R	6.25	11.875	13.25	1.983	2.07	5.5	8.625	7.50	-	-
	210TC	T	6.25	9.125	10.50	1.59	2.69	7	9.500	8.50	1	-
		F, N, P, G, C	6.25	9.125	10.50	1.983	2.69	7	9.500	8.50	1	-
		R	6.25	11.875	13.25	1.983	2.69	7	9.500	8.50	-	0.75
	250TC	T	6.25	9.125	10.50	1.59	3.19	10	11.500	10.00	-	-
		F, N, P, G, C	6.25	9.125	10.50	1.983	3.19	10	11.500	10.00	-	-
		R	6.25	11.875	13.25	1.983	3.19	10	11.500	10.00	-	1.75
	280TC	T	6.25	9.125	10.50	1.59	3.19	11	12.750	12.50	-	0.75
		F, N, P, G, C	6.25	9.125	10.50	1.983	3.19	11	12.750	12.50	-	0.75
		R	6.25	11.875	13.25	1.983	3.19	11	12.750	12.50	-	2.50

Commercial Water

33SV - 92SV HORIZONTAL MOUNTING OPTION

- Consists of e-SV pump with base mounting foot and footed motor for horizontal installations.
- Unit depicted may not show actual pump configuration. Use for mounting location only.

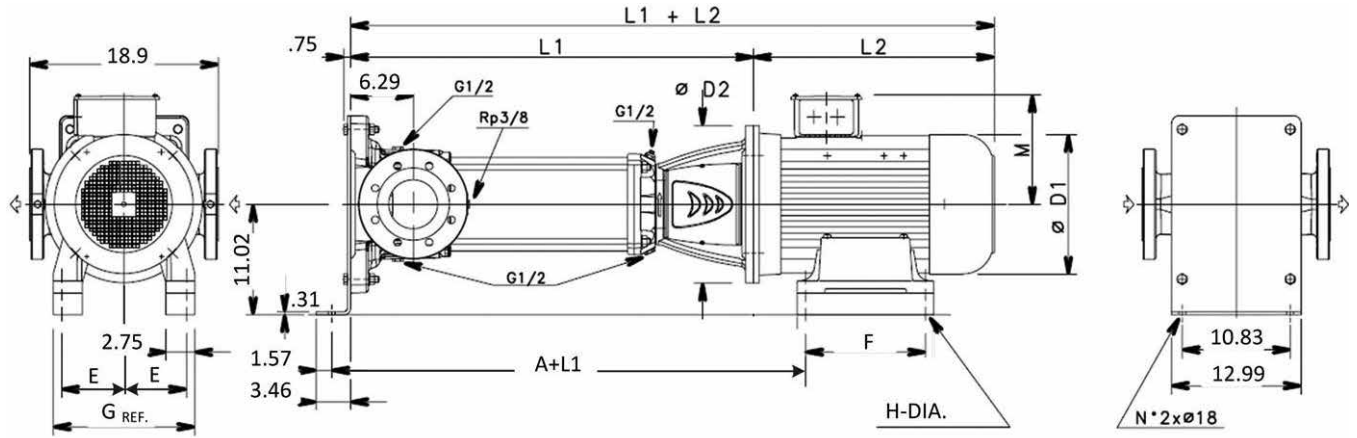


Series	Motor Frame	Flange	A	B	E	F	G	H - DIA.
33SV	182TC	G, N	0.5	1.13	3.5	2.25	8.63	13/32
	184TC					2.75		
	213TC		1.25		4.25	2.75	9.5	
	215TC					3.5		
	254TC		1.75		5	4.12	11.25	17/32
	256TC					5		
	284TC		1.75		5.5	4.75	12.25	
	286TC					5.5		
	324TSC		2.25		6.25	5.25	16	
	326TSC					6		
	364TSC		2.88		7	5.63	18	21/32
365TSC	6.12							
46/66/92SV	182TC	G, N	0.5	2.5	3.7	2.25	8.63	13/32
	184TC					2.75		
	213TC		1.25		4.25	2.75	9.5	
	215TC					3.5		
	254TC		1.75		5	4.12	11.25	17/32
	256TC					5		
	284TC		1.75		5.5	4.75	16.5	
	286TC					5.5		
	324TSC		2.25		6.25	5.25	15.25	
	326TSC					6		
	364TSC		2.88		7	5.63	17	21/32
365TSC	6.12							

Commercial Water

125SV HORIZONTAL MOUNTING OPTION

- Consists of e-SV pump with base mounting foot and footed motor for horizontal installations.
- Unit depicted may not show actual pump configuration. Use for mounting location only.



Series	Motor Frame	Flange	A	E	F	G (ref.)	H - Dia.
125SV	182TC	G, N	5.20	3.5	2.25	8.63	13/32
	184TC				2.75		
	213TC				2.75		
	215TC		3.5	9.5			
	254TC		4.12				
	256TC		5				
	284TC		4.75	11.25	17/32		
	286TC		5.5				
	324TSC		5.25	12.25	21/32		
	326TSC		6				
	364TSC		5.63				
	365TSC		6.12	16	18		
		7.45	7	5.63	18		

Technical Data - Pump Hydraulics / Motor Sizing

1SV 3500 RPM

No. of Impellers	Maximum HP draw	Motor Selection using SF			Motor Selection 1.0 SF			Shutoff TDH (Feet)	Shutoff TDH (psi)	Shutoff TDH (Bar)	Casing/Sleeve Pressure Rating (standard assy.)	Pump Flange Rating
		Rated HP	NEMA Motor Frame		Rated HP	NEMA Motor Frame						
			ODP	TEFC		ODP	TEFC					
30	3.45	3.00	56C	56C	5.00	184TC	184TC	860	372	25.7	40 Bar (580 psi)	Class 250 / 300
29	3.34		56C	56C		184TC	184TC	835	362	24.9		
28	3.22		56C	56C		184TC	184TC	810	351	24.2		
27	3.11		56C	56C		184TC	184TC	780	338	23.3		
26	2.99		56C	56C		56C	56C	750	325	22.4		
25	2.88		56C	56C	56C	56C	720	312	21.5			
24	2.76		56C	56C	56C	56C	695	301	20.7			
23	2.67		56C	56C	3.00	56C	56C	665	288	19.8		
22	2.53		56C	56C		56C	56C	635	275	18.9		
21	2.42		56C	56C		56C	56C	610	264	18.2		
20	2.30	56C	56C	56C		56C	580	251	17.3			
19	2.19	56C	56C	56C		56C	550	238	16.4			
18	2.07	2.00	56C	56C	56C	56C	520	225	15.5	25 Bar (362 psi)	Class 250 / 300	
17	1.96		56C	56C	56C	56C	485	210	14.5			
16	1.84		56C	56C	56C	56C	455	197	13.6			
15	1.73		56C	56C	2.00	56C	56C	425	184			12.7
14	1.61		56C	56C		56C	56C	400	173			11.9
13	1.50	56C	56C	56C		56C	375	162	11.2			
12	1.38	56C	56C	1.50		56C	56C	345	149			10.3
11	1.27	56C	56C			56C	56C	315	136			9.4
10	1.15	1.00	56C		56C	56C	56C	290	126			8.7
9	1.04		56C		56C	56C	56C	255	110			7.6
8	0.92		0.75		56C	56C	56C	56C	230	100	6.9	
7	0.81			56C	56C	56C	56C	200	87	6.0		
6	0.69			56C	56C	56C	56C	175	76	5.2		
5	0.58	0.50		56C	56C	56C	56C	145	63	4.3		
4	0.46			56C	56C	56C	56C	115	50	3.4		
3	0.35		56C	56C	56C	56C	85	37	2.5			
2	0.23		56C	56C	56C	56C	60	26	1.8			

3SV 3500 RPM

No. of Impellers	Maximum HP draw	Motor Selection using SF			Motor Selection 1.0 SF			Shutoff TDH (Feet)	Shutoff TDH (psi)	Shutoff TDH (Bar)	Casing/Sleeve Pressure Rating (standard assy.)	Pump Flange Rating
		Rated HP	NEMA Motor Frame		Rated HP	NEMA Motor Frame						
			ODP	TEFC		ODP	TEFC					
30	6.24	7.50	213TC	213TC	7.50	213TC	213TC	1085	470	32.4	40 Bar (580 psi)	Class 250 / 300
29	6.03		213TC	213TC		213TC	213TC	1050	455	31.3		
28	5.82		213TC	213TC		213TC	213TC	1015	440	30.3		
27	5.62		184TC	184TC		213TC	213TC	975	422	29.1		
26	5.41		184TC	184TC		213TC	213TC	940	407	28.0		
25	5.20	5.00	184TC	184TC	5.00	213TC	213TC	900	390	26.9	25 Bar (362 psi)	Class 250 / 300
24	4.99		184TC	184TC		184TC	184TC	865	375	25.8		
23	4.78		184TC	184TC		184TC	184TC	825	357	24.6		
22	4.58		184TC	184TC		184TC	184TC	795	344	23.7		
21	4.37		184TC	184TC		184TC	184TC	760	329	22.7		
20	4.16		184TC	184TC	184TC	184TC	720	312	21.5			
19	3.95		184TC	184TC	3.00	184TC	184TC	680	294	20.3		
18	3.74		184TC	184TC		184TC	184TC	645	279	19.2		
17	3.54		184TC	184TC		184TC	184TC	610	264	18.2		
16	3.33		3.00	56C		56C	184TC	184TC	575	249		
15	3.12	56C		56C		184TC	184TC	540	234	16.1		
14	2.91	56C		56C	56C	56C	500	217	14.9			
13	2.70	56C		56C	56C	56C	465	201	13.9			
12	2.50	56C		56C	56C	56C	430	186	12.8			
11	2.29	2.00	56C	56C	2.00	56C	56C	395	171	11.8	25 Bar (362 psi)	Class 250 / 300
10	2.08		56C	56C		56C	56C	360	156	10.7		
9	1.87		56C	56C		56C	56C	320	139	9.5		
8	1.66		56C	56C		56C	56C	285	123	8.5		
7	1.46		1.50	56C		56C	1.50	56C	56C	250		
6	1.25	56C		56C	56C	56C		215	93	6.4		
5	1.04	56C		56C	56C	56C		180	78	5.4		
4	0.83	0.75		56C	56C	1.00		56C	56C	145	63	4.3
3	0.62	0.50		56C	56C	0.75		56C	56C	105	45	3.1
2	0.42		56C	56C	0.50	56C	56C	70	30	2.1		

Commercial Water

TECHNICAL DATA - PUMP HYDRAULICS / MOTOR SIZING

5SV 3500 RPM

No. of Impellers	Maximum HP draw	Motor Selection using SF				Motor Selection 1.0 SF				Shutoff TDH (Feet)	Shutoff TDH (psi)	Shutoff TDH (Bar)	Casing/Sleeve Pressure Rating (standard assy.)	Pump Flange Rating
		Rated HP	NEMA Motor Frame		Rated HP	NEMA Motor Frame								
			ODP	TEFC		ODP	TEFC							
27	8.80	10.00	215TC	215TC	10.00	215TC	215TC	975	422	29.1	40 Bar (580 psi)	Class 250 / 300		
26	8.48	7.50	213TC	213TC		215TC	215TC	940	407	28.0				
25	8.15		213TC	213TC		215TC	215TC	900	390	26.9				
24	7.82		213TC	213TC		215TC	215TC	865	375	25.8				
23	7.50		213TC	213TC	7.50	213TC	213TC	825	357	24.6				
22	7.17	213TC	213TC	213TC		213TC	785	340	23.4					
21	6.85	213TC	213TC	213TC		213TC	745	323	22.2					
20	6.52	213TC	213TC	213TC		213TC	715	310	21.3					
19	6.19	5.00	213TC	213TC	5.00	213TC	213TC	685	297	20.4				
18	5.87		213TC	213TC		213TC	213TC	650	282	19.4				
17	5.54		184TC	184TC		213TC	213TC	615	266	18.4				
16	5.22		184TC	184TC		213TC	213TC	575	249	17.2				
15	4.89	5.00	184TC	184TC	5.00	184TC	184TC	540	234	16.1				
14	4.56		184TC	184TC		184TC	184TC	505	219	15.1				
13	4.24		184TC	184TC		184TC	184TC	470	204	14.0				
12	3.91		184TC	184TC		184TC	184TC	430	186	12.8				
11	3.59	3.00	184TC	184TC	3.00	184TC	184TC	395	171	11.8				
10	3.26		56C	56C		184TC	184TC	360	156	10.7				
9	2.93		56C	56C		56C	56C	320	139	9.5				
8	2.61		56C	56C		56C	56C	285	123	8.5				
7	2.28	2.00	56C	56C	2.00	56C	56C	250	108	7.5				
6	1.96		56C	56C		56C	56C	220	95	6.6				
5	1.63	1.50	56C	56C	1.50	56C	56C	180	78	5.4				
4	1.30		56C	56C		56C	56C	145	63	4.3				
3	0.98	1.00	56C	56C	1.00	56C	56C	110	48	3.3				
2	0.65	0.75	56C	56C	0.75	56C	56C	70	30	2.1				

10SV 3500 RPM

No. of Impellers	Maximum HP draw	Motor Selection using SF				Motor Selection 1.0 SF				Shutoff TDH (Feet)	Shutoff TDH (psi)	Shutoff TDH (Bar)	Casing/Sleeve Pressure Rating (standard assy.)	Pump Flange Rating
		Rated HP	NEMA Motor Frame		Rated HP	NEMA Motor Frame								
			ODP	TEFC		ODP	TEFC							
20	17.84	20.00	254TC	256TC	20.00	254TC	256TC	1150	498	34.3	40 Bar (580 psi)	Victaulic		
19	16.95	15.00	215TC	254TC		254TC	256TC	1095	474	32.7				
18	16.06		215TC	254TC		254TC	256TC	1035	448	30.9				
17	15.16		215TC	254TC		254TC	256TC	975	422	29.1				
16	14.27		215TC	254TC	15.00	215TC	254TC	920	398	27.5				
15	13.38	215TC	254TC	215TC		254TC	860	372	25.7					
14	12.49	10.00	215TC	215TC		215TC	254TC	805	349	24.0				
13	11.60		215TC	215TC		215TC	254TC	745	323	22.2				
12	10.70		215TC	215TC	215TC	254TC	690	299	20.6					
11	9.81		215TC	215TC	10.00	215TC	215TC	630	273	18.8				
10	8.92	215TC	215TC	215TC		215TC	575	249	17.2					
9	8.03	7.50	213TC	213TC		215TC	215TC	520	225	15.5				
8	7.14		213TC	213TC		213TC	213TC	460	199	13.7				
7	6.24		213TC	213TC	213TC	213TC	400	173	11.9					
6	5.35		5.00	184TC	184TC	213TC	213TC	340	147	10.1				
5	4.46	184TC		184TC	184TC	184TC	285	123	8.5					
4	3.57	184TC		184TC	184TC	184TC	225	97	6.7					
3	2.68	3.00		56C	56C	3.00	56C	56C	170	74	5.1			
2	1.78	2.00	56C	56C	2.00	56C	56C	115	50	3.4				
1	0.89	0.75	56C	56C	1.00	56C	56C	60	26	1.8				

TECHNICAL DATA - PUMP HYDRAULICS / MOTOR SIZING

15SV 3500 RPM

No. of Impellers	Maximum HP draw	Motor Selection using SF				Motor Selection 1.0 SF			Shutoff TDH (Feet)	Shutoff TDH (psi)	Shutoff TDH (Bar)	Casing/Sleeve Pressure Rating (standard assy.)	Pump Flange Rating
		Rated HP	NEMA Motor Frame		Rated HP	NEMA Motor Frame							
			ODP	TEFC		ODP	TEFC						
15	28.50	25.00	254TC	284TC	30.00	284TC	286TC	1060	459	31.6	40 Bar (580 psi)	Class 250 / 300	
14	26.60		254TC	284TC		284TC	286TC	990	429	29.5			
13	24.70		254TC	284TC		25.00	254TC	284TC	915	396			27.3
12	22.80	254TC	256TC	254TC	284TC		850	368	25.4				
11	20.90	254TC	256TC	254TC	284TC		780	338	23.3				
10	19.00	20.00	254TC	256TC	20.00	254TC	256TC	705	305	21.0	25 Bar (362 psi)		
9	17.10		215TC	254TC		254TC	256TC	635	275	18.9			
8	15.20		215TC	254TC		15.00	254TC	256TC	565	245			16.9
7	13.30	215TC	254TC	215TC	254TC		485	210	14.5				
6	11.40	215TC	215TC	215TC	254TC		420	182	12.5				
5	9.50	10.00	215TC	215TC	10.00	215TC	215TC	345	149	10.3			
4	7.60		7.50	213TC		213TC	215TC	215TC	275	119			8.2
3	5.70		5.00	184TC		184TC	7.50	213TC	213TC	210			91
2	3.80	184TC		184TC	5.00	184TC	184TC	140	61	4.2			
1	1.90	2.00		56C	56C	2.00	56C	56C	70	30	2.1		

22SV 3500 RPM

No. of Impellers	Maximum HP draw	Motor Selection using SF				Motor Selection 1.0 SF			Shutoff TDH (Feet)	Shutoff TDH (psi)	Shutoff TDH (Bar)	Casing/Sleeve Pressure Rating (standard assy.)	Pump Flange Rating
		Rated HP	NEMA Motor Frame		Rated HP	NEMA Motor Frame							
			ODP	TEFC		ODP	TEFC						
12	28.92	25.00	254TC	284TC	30.00	284TC	286TC	880	381	26.3	40 Bar (580 psi)	Class 250 / 300	
11	26.51		254TC	284TC		284TC	286TC	810	351	24.2			
10	24.10		254TC	284TC		25.00	254TC	284TC	735	318			21.9
9	21.69	254TC	256TC	254TC	284TC		660	286	19.7				
8	19.28	254TC	256TC	20.00	254TC		256TC	585	253	17.5			
7	16.87	215TC	254TC		254TC	256TC	515	223	15.4				
6	14.46	15.00	215TC		254TC	15.00	215TC	254TC	440	191	13.1		25 Bar (362 psi)
5	12.05		215TC	254TC	215TC		254TC	365	158	10.9			
4	9.64		10.00	215TC	215TC		10.00	215TC	215TC	295	128		
3	7.23	7.50	213TC	213TC	7.50	213TC	213TC	220	95	6.6			
2	4.82	5.00	184TC	184TC	5.00	184TC	184TC	245	106	7.3			
1	2.41	3.00	56C	56C	3.00	56C	56C	70	30	2.1			

TECHNICAL DATA - PUMP HYDRAULICS / MOTOR SIZING

33SV 3500 RPM

# of Impellers / # reduced Diameter	Maximum HP Draw	Motor HP for use with 1.15 SF Motor	Motor HP for use with Hydrovar (1.0 SF)	Shutoff TDH (Feet)	Shutoff TDH (Bar)	Casing / Sleeve Pressure rating (Standard Assy.)	Stages requiring Thrust Balancing Piston	Pump Flange Rating	
10	54.3	50	60	1125	34	40 Bar (580 PSI)	Thrust Piston Required	Class 250 / 300	
10/2	52.8			1096	33				
10/1	51.3			1066	32				
9	48.8		50	50	1012				30
9/1	47.4				983				29
9/2	45.9				954				28
8	43.4	40		40	900				27
8/1	41.9				871				26
8/2	40.5				842				25
7	38		30	40	787				23
7/1	36.5				758				23
7/2	35				729				22
6	32.6	25		30	576	20			
6/1	31.1				646	19			
6/2	29.6				617	18			
5	27.1		20	25	562	17			
5/1	25.7				533	16			
5/2	24.2				504	15			
4	21.7	15		20	450	13			
4/1	20.2				421	13			
4/2	18.8				392	12			
3	16.3		10	15	337	10			
3/1	14.7				310	9			
3/2	13.2				281	8			
2	10.9	7.5		10	225	7			
2/1	9.4				196	6			
2/2	7.9				167	5			
1	5.4		5	7.5	113	3			
1/1	4				84	3			

① Pump assembly may be modified for 40 bar (580 psi) application - contact factory.

TECHNICAL DATA - PUMP HYDRAULICS / MOTOR SIZING

46SV 3500 RPM

# of Impellers / # reduced Diameter	Maximum HP Draw	Motor HP for use with 1.15 SF Motor	Motor HP for use with Hydrovar (1.0 SF)	Shutoff TDH (Feet)	Shutoff TDH (Bar)	Casing / Sleeve Pressure rating (Standard Assy.)	Stages requiring Thrust Balancing Piston	Pump Flange Rating									
10/2	77.8	75	75	1210	36.1	40 Bar (580 PSI)	Thrust Piston Required	Class 250 / 300									
9	73.2			1137	33.9												
9/1	71.5			1111	33.2												
9/2	69.7			1085	32.4												
8	65	60	60	1010	30.2				40 Bar (580 PSI)	Thrust Piston Required	Class 250 / 300						
8/1	63.3			984	29.4												
8/2	61.6			959	28.6												
7	56.9			884	26.4												
7/1	55.2	50	50	858	25.6							40 Bar (580 PSI)	Thrust Piston Required	Class 250 / 300			
7/2	53.4			832	24.8												
6	48.8			758	22.6												
6/1	47.1			732	21.9												
6/2	45.3	40	40	706	21.1										25 Bar (362 PSI) ①		Class 125 / 150
5	40.7			632	18.9												
5/1	38.9			605	18.1												
5/2	37.2			580	17.3												
4	32.5	30	30	505	15.1	25 Bar (362 PSI) ①		Class 125 / 150									
4/1	30.8			479	14.3												
4/2	29			453	13.5												
3	24.4			379	11.3												
3/1	22.7	20	20	353	10.5				25 Bar (362 PSI) ①		Class 125 / 150						
3/2	20.9			327	9.8												
2	16.3	15	15	253	7.6							25 Bar (362 PSI) ①		Class 125 / 150			
2/1	14.5			226	6.7												
2/2	12.8			200	6.0												
1	8.5			10	10												
1/1	6.7	7.5	7.5	102	3.0										25 Bar (362 PSI) ①		Class 125 / 150

66SV 3500 RPM

# of Impellers / # reduced Diameter	Maximum HP Draw	Motor HP for use with 1.15 SF Motor	Motor HP for use with Hydrovar (1.0 SF)	Shutoff TDH (Feet)	Shutoff TDH (Bar)	Casing / Sleeve Pressure rating (Standard Assy.)	Stages requiring Thrust Balancing Piston	Pump Flange Rating									
6	73.2	75	75	850	25.4	40 Bar (580 PSI)	Thrust Piston Required	Class 250 / 300									
6/1	70.2			822	24.5												
6/2	67.2			796	23.8												
5	61	60	60	707	21.1				25 Bar (362 PSI) ①		Class 125 / 150						
5/1	58			681	20.3												
5/2	55			655	19.6												
4	48.8	50	50	566	16.9	25 Bar (362 PSI) ①		Class 125 / 150									
4/1	45.8			540	16.1												
4/2	42.8			513	15.3												
3	36.6	40	40	424	12.7							25 Bar (362 PSI) ①		Class 125 / 150			
3/1	33.6			398	11.9												
3/2	30.6			372	11.1												
2	24.4	25	25	283	8.4										25 Bar (362 PSI) ①		Class 125 / 150
2/1	21.4			257	7.7												
2/2	18.4			230	6.9												
1	12.2	15	15	142	4.2				25 Bar (362 PSI) ①		Class 125 / 150						
1/1	9.2			10	10												

① Pump assembly may be modified for 40 bar (580 psi) application - contact factory.

Commercial Water

TECHNICAL DATA - PUMP HYDRAULICS / MOTOR SIZING

92SV 3500 RPM

# of Impellers / # reduced Diameter	Maximum HP Draw	Motor HP for use with 1.15 SF Motor	Motor HP for use with Hydrovar (1.0 SF)	Shutoff TDH (Feet)	Shutoff TDH (Bar)	Casing / Sleeve Pressure rating (Standard Assy.)	Stages requiring Thrust Balancing Piston	Pump Flange Rating
5/1	73.8	75	75	732	21.9	25 Bar (362 PSI) ①	Thrust Piston Required	Class 250 / 300
5/2	70.3			707	21.1			
4	61.9			605	18.1			
4/1	58.3	60	60	580	17.3			
4/2	54.8			556	16.6			
3	46.5			454	13.6			
3/1	42.9	40	50	429	12.8		Class 125 / 150	
3/2	39.4			405	12.1			
2	31	30	40	305	9.1			
2/1	27.4			30	8.3			
2/2	23.4			25	7.6			
1	15.5	15	20	151	4.5			
1/1	12			15	3.8			

① Pump assembly may be modified for 40 bar (580 psi) application - contact factory.

125SV 3500 RPM

No. of Impellers	Maximum HP draw	Motor Selection using SF		Motor Selection 1.0 SF		Shutoff TDH (Feet)	Shutoff TDH (psi)	Shutoff TDH (Bar)	Casing/Sleeve Pressure Rating (standard assy.)	Pump Flange Rating		
		Rated HP	NEMA Motor Frame		Rated HP						NEMA Motor Frame	
			ODP	TEFC							ODP	TEFC
5/0C	82.32	75	364TSC	365TSC	Contact Factory		643	278	19.2	25 Bar (362 psi)	Class 250 / 300	
5/5B	67.84	60	324TSC	326TSC	75	364TSC	365TSC	555	240			16.6
4/3B	57.35	50	324TSC	326TSC	60	324TSC	326TSC	461	200			13.8
3/3A	45.60	40	286TC	286TC	50	324TSC	326TSC	358	155		10.7	
2/0C	34.79	30	284TC	286TC	40	286TC	286TC	263	114		7.8	Class 125 / 150
1/0C	17.40	15	215TC	254TC	20	254TC	256TC	131	57	3.9		

TECHNICAL DATA - PUMP HYDRAULICS / MOTOR SIZING

1SV 1750 RPM

No. of Impellers	Maximum HP draw	Motor Selection using SF		Motor Selection 1.0 SF		Shutoff TDH (Feet)	Shutoff TDH (psi)	Shutoff TDH (Bar)	Casing/Sleeve Pressure Rating (standard assy.)	Pump Flange Rating		
		Rated HP	NEMA Motor Frame		Rated HP						NEMA Motor Frame	
			ODP	TEFC							ODP	TEFC
30	0.44	0.50	56C	56C	0.50	56C	56C	210	91	6.3	25 Bar (362 psi)	Class 250 / 300
29	0.43		56C	56C		56C	56C	203	88	6.1		
28	0.41		56C	56C		56C	56C	196	85	5.8		
27	0.40		56C	56C		56C	56C	189	82	5.6		
26	0.38		56C	56C		56C	56C	181	78	5.4		
25	0.37		56C	56C		56C	56C	175	76	5.2		
24	0.36		56C	56C		56C	56C	168	73	5.0		
23	0.34		56C	56C		56C	56C	162	70	4.8		
22	0.33		56C	56C		56C	56C	155	67	4.6		
21	0.31		56C	56C		56C	56C	148	64	4.4		
20	0.30		56C	56C		56C	56C	141	61	4.2		
19	0.28		56C	56C		56C	56C	134	58	4.0		
18	0.27		56C	56C		56C	56C	127	55	3.8		
17	0.25		56C	56C		56C	56C	120	52	3.6		
15	0.22		56C	56C		56C	56C	107	46	3.2		
14	0.21		56C	56C		56C	56C	100	43	3.0		
13	0.19		56C	56C		56C	56C	93	40	2.8		
12	0.18		56C	56C		56C	56C	86	37	2.6		
11	0.16		56C	56C		56C	56C	79	34	2.4		
10	0.15		56C	56C		56C	56C	72	31	2.1		
9	0.13	56C	56C	56C	56C	65	28	1.9				
8	0.12	56C	56C	56C	56C	58	25	1.7				
7	0.10	56C	56C	56C	56C	50	22	1.5				
6	0.09	56C	56C	56C	56C	43	19	1.3				
5	0.07	56C	56C	56C	56C	36	16	1.1				
4	0.06	56C	56C	56C	56C	29	13	0.9				
3	0.04	56C	56C	56C	56C	22	10	0.7				
2	0.03	56C	56C	56C	56C	15	6	0.4				

3SV 1750 RPM

No. of Impellers	Maximum HP draw	Motor Selection using SF		Motor Selection 1.0 SF		Shutoff TDH (Feet)	Shutoff TDH (psi)	Shutoff TDH (Bar)	Casing/Sleeve Pressure Rating (standard assy.)	Pump Flange Rating		
		Rated HP	NEMA Motor Frame		Rated HP						NEMA Motor Frame	
			ODP	TEFC							ODP	TEFC
30	0.73	0.75	56C	56C	0.75	56C	56C	267	116	8.0	25 Bar (362 psi)	Class 250 / 300
29	0.71		56C	56C		56C	56C	257	111	7.7		
28	0.68		56C	56C		56C	56C	249	108	7.4		
27	0.66		56C	56C		56C	56C	240	104	7.2		
26	0.63		56C	56C		56C	56C	231	100	6.9		
25	0.61		56C	56C		56C	56C	222	96	6.6		
24	0.59		56C	56C		56C	56C	213	92	6.4		
23	0.56		56C	56C		56C	56C	204	88	6.1		
22	0.54		56C	56C		56C	56C	194	84	5.8		
21	0.51		56C	56C		56C	56C	184	80	5.5		
20	0.49	56C	56C	56C	56C	167	72	5.0				
19	0.46	56C	56C	56C	56C	162	70	4.8				
18	0.44	56C	56C	56C	56C	156	68	4.7				
17	0.41	56C	56C	56C	56C	150	65	4.5				
16	0.39	56C	56C	56C	56C	141	61	4.2				
15	0.37	56C	56C	56C	56C	132	57	3.9				
14	0.34	56C	56C	56C	56C	124	54	3.7				
13	0.32	56C	56C	56C	56C	115	50	3.4				
12	0.29	56C	56C	56C	56C	105	45	3.1				
11	0.27	56C	56C	0.50	56C	56C	97	42	2.9			
10	0.24	56C	56C		56C	56C	89	39	2.7			
9	0.22	56C	56C		56C	56C	80	35	2.4			
8	0.20	56C	56C		56C	56C	71	31	2.1			
7	0.17	56C	56C		56C	56C	63	27	1.9			
6	0.15	56C	56C		56C	56C	54	23	1.6			
5	0.12	56C	56C		56C	56C	45	19	1.3			
4	0.10	56C	56C		56C	56C	36	16	1.1			
3	0.07	56C	56C		56C	56C	28	12	0.8			
2	0.05	56C	56C		56C	56C	19	8	0.6			

Commercial Water

TECHNICAL DATA - PUMP HYDRAULICS / MOTOR SIZING

5SV 1750 RPM

No. of Impellers	Maximum HP draw	Motor Selection using SF		Motor Selection 1.0 SF		Shutoff TDH (Feet)	Shutoff TDH (psi)	Shutoff TDH (Bar)	Casing/Sleeve Pressure Rating (standard assy.)	Pump Flange Rating			
		Rated HP	NEMA Motor Frame		Rated HP						NEMA Motor Frame		
			ODP	TEFC							ODP	TEFC	
27	1.02	1.00	56C	56C	1.50	56C	56C	239	104	7.1	25 Bar (362 psi)	Class 250 / 300	
26	0.98		56C	56C		56C	56C	230	100	6.9			
25	0.94		56C	56C		1.00	56C	56C	220	95			6.6
24	0.90		56C	56C			56C	56C	212	92			6.3
23	0.87		56C	56C			56C	56C	203	88			6.1
22	0.83		56C	56C			56C	56C	195	84			5.8
21	0.79	56C	56C	0.75	56C		56C	186	81	5.6			
20	0.75	56C	56C		56C		56C	177	77	5.3			
19	0.72	56C	56C		56C	56C	167	72	5.0				
18	0.68	56C	56C		56C	56C	159	69	4.7				
17	0.64	56C	56C		56C	56C	150	65	4.5				
16	0.60	56C	56C		0.50	56C	56C	142	61	4.2			
15	0.57	56C	56C	56C		56C	133	58	4.0				
14	0.53	56C	56C	56C		56C	124	54	3.7				
13	0.49	56C	56C	0.50		56C	56C	114	49	3.4			
12	0.45	56C	56C			56C	56C	106	46	3.2			
11	0.41	56C	56C			56C	56C	97	42	2.9			
10	0.38	56C	56C		56C	56C	88	38	2.6				
9	0.34	56C	56C		56C	56C	79	34	2.4				
8	0.30	56C	56C		0.50	56C	56C	71	31	2.1			
7	0.26	56C	56C	56C		56C	62	27	1.9				
6	0.23	56C	56C	56C		56C	54	23	1.6				
5	0.19	56C	56C	56C		56C	45	19	1.3				
4	0.15	56C	56C	56C		56C	37	16	1.1				
3	0.11	56C	56C	56C		56C	28	12	0.8				
2	0.08	56C	56C	56C	56C	19	8	0.6					

10SV 1750 RPM

No. of Impellers	Maximum HP draw	Motor Selection using SF		Motor Selection 1.0 SF		Shutoff TDH (Feet)	Shutoff TDH (psi)	Shutoff TDH (Bar)	Casing/Sleeve Pressure Rating (standard assy.)	Pump Flange Rating				
		Rated HP	NEMA Motor Frame		Rated HP						NEMA Motor Frame			
			ODP	TEFC							ODP	TEFC		
20	2.34	3.00	56C	56C	3.00	56C	56C	286	124	8.5	25 Bar (362 psi)	Class 250 / 300		
19	2.22		2.00	56C		56C	56C	56C	272	118			8.1	
18	2.11			56C		56C	2.00	56C	56C	257			111	7.7
17	1.99			56C		56C		56C	56C	243			105	7.3
16	1.87			56C		56C		56C	56C	229			99	6.8
15	1.76			56C		56C		56C	56C	214			93	6.4
14	1.64	56C		56C	1.50	56C		56C	200	87			6.0	
13	1.52	56C	56C	56C		56C		185	80	5.5				
12	1.40	56C	56C	56C		56C	170	74	5.1					
11	1.29	56C	56C	1.50		56C	56C	154	67	4.6				
10	1.17	56C	56C			56C	56C	141	61	4.2				
9	1.05	56C	56C			56C	56C	127	55	3.8				
8	0.94	56C	56C		1.00	56C	56C	113	49	3.4				
7	0.82	56C	56C			56C	56C	98	42	2.9				
6	0.70	56C	56C			0.75	56C	56C	85	37			2.5	
5	0.59	56C	56C	56C			56C	71	31	2.1				
4	0.47	56C	56C	0.50			56C	56C	57	25			1.7	
3	0.35	56C	56C				56C	56C	43	19			1.3	
2	0.23	56C	56C		56C		56C	29	13	0.9				
1	0.12	56C	56C		56C		56C	14	6	0.4				

TECHNICAL DATA - PUMP HYDRAULICS / MOTOR SIZING

15SV 1750 RPM

No. of Impellers	Maximum HP draw	Motor Selection using SF				Motor Selection 1.0 SF				Shutoff TDH (Feet)	Shutoff TDH (psi)	Shutoff TDH (Bar)	Casing/Sleeve Pressure Rating (standard assy.)	Pump Flange Rating
		Rated HP	NEMA Motor Frame		Rated HP	NEMA Motor Frame								
			ODP	TEFC		ODP	TEFC							
15	3.56	5.00	184TC	184TC	5.00	184TC	184TC	263	114	7.8	25 Bar (362 psi)	Class 250 / 300		
14	3.32		3.00	56C		56C	3.00	184TC	184TC	245			106	7.3
13	3.08			56C		56C		3.00	184TC	184TC			228	99
12	2.84	56C		56C	3.00	56C			56C	210			91	6.3
11	2.61	56C	56C	2.00		56C	56C		192	83			5.7	
10	2.37	56C	56C			2.00	56C	56C	175	76			5.2	
9	2.13	56C	56C		2.00		56C	56C	158	68			4.7	
8	1.90	56C	56C	1.50			56C	56C	140	61			4.2	
7	1.66	56C	56C			1.50	56C	56C	120	52			3.6	
6	1.42	56C	56C		1.50		56C	56C	103	45			3.1	
5	1.19	56C	56C	1.00			56C	56C	86	37			2.6	
4	0.95	56C	56C			1.00	56C	56C	68	29			2.0	
3	0.71	0.75	56C		56C		0.75	56C	56C	51			22	1.5
2	0.47	0.50	56C	56C	0.50		56C	56C	35	15			1.0	
1	0.24		56C	56C		56C	56C	8	3	0.2				

22SV 1750 RPM

No. of Impellers	Maximum HP draw	Motor Selection using SF				Motor Selection 1.0 SF				Shutoff TDH (Feet)	Shutoff TDH (psi)	Shutoff TDH (Bar)	Casing/Sleeve Pressure Rating (standard assy.)	Pump Flange Rating
		Rated HP	NEMA Motor Frame		Rated HP	NEMA Motor Frame								
			ODP	TEFC		ODP	TEFC							
12	3.58	5.00	184TC	184TC	5.00	184TC	184TC	220	95	6.6	25 Bar (362 psi)	Class 250 / 300		
11	3.28		3.00	56C		56C	3.00	184TC	184TC	202			87	6.0
10	2.98			56C		56C		3.00	56C	56C			183	79
9	2.68	56C		56C	2.00	56C			56C	165			71	4.9
8	2.38	56C	56C	2.00		56C	56C		147	64			4.4	
7	2.09	56C	56C			2.00	56C	56C	129	56			3.8	
6	1.79	56C	56C		1.50		56C	56C	110	48			3.3	
5	1.49	56C	56C	1.50			56C	56C	91	39			2.7	
4	1.19	56C	56C			1.00	56C	56C	74	32			2.2	
3	0.89	0.75	56C		56C		1.00	56C	56C	55			24	1.6
2	0.60	0.50	56C	56C	0.75		56C	56C	36	16			1.1	
1	0.30		56C	56C		0.50	56C	56C	19	8			0.6	

Commercial Water

TECHNICAL DATA - PUMP HYDRAULICS / MOTOR SIZING

33SV 1750 RPM

No. of Impellers	Maximum HP draw	Motor Selection using SF			Motor Selection 1.0 SF			Shutoff TDH (Feet)	Shutoff TDH (psi)	Shutoff TDH (Bar)	Casing/Sleeve Pressure Rating (standard assy.)	Pump Flange Rating	Stages Requiring Thrust Balancing Piston
		Rated HP	NEMA Motor Frame		Rated HP	NEMA Motor Frame							
			ODP	TEFC		ODP	TEFC						
10	7.0	7.5	184TC	7.5	184TC	278	120	8	25 Bar (362 psi)	Class 125 / 150			
10/1	6.8					271	117	8					
10/2	6.8					264	114	8					
9	6.3					250	108	7					
9/1	6.1					242	105	7					
9/2	6.1					235	102	7					
8	5.6					222	96	7					
8/1	5.4	5		5		5	214	93				6	
8/2	5.4						207	90				6	
7	4.9						195	84				6	
7/1	4.7						189	82				6	
7/2	4.7						181	78				5	
6	4.2						168	73				5	
6/1	4.0						160	69				5	
6/2	3.9	153	66		5								
5	3.5	3	3		3	139	60	4					
5/1	3.3					131	57	4					
5/2	3.2					124	54	4					
4	2.8					111	48	3					
4/1	2.6					103	45	3					
4/2	2.5					97	42	3					
3	2.1			83		36	2						
3/1	2.0	76		33	2								
3/2	1.8	70		30	2								
2	1.4	56		24	2								
2/1	1.2	48		21	1								
2/2	1.1	41		18	1								
1	0.7	28		12	1								

TECHNICAL DATA - PUMP HYDRAULICS / MOTOR SIZING

46SV 1750 RPM

No. of Impellers	Maximum HP draw	Motor Selection using SF			Motor Selection 1.0 SF			Shutoff TDH (Feet)	Shutoff TDH (psi)	Shutoff TDH (Bar)	Casing/Sleeve Pressure Rating (standard assy.)	Pump Flange Rating	Stages Requiring Thrust Balancing Piston
		Rated HP	NEMA Motor Frame		Rated HP	NEMA Motor Frame							
			ODP	TEFC		ODP	TEFC						
10/2	10.0	10	215TC	215TC	10	213TC	215TC	298	129	9	25 Bar (362 psi)	Class 125 / 150	
9	9.3							280	121	8			
9/1	9.0							274	119	8			
9/2	8.8							268	116	8			
8	8.2	7.5	184TC	7.5	7.5	184TC	249	108	7				
8/1	8.0						242	105	7				
8/2	7.8						236	102	7				
7	7.2						217	94	6				
7/1	7.0						212	92	6				
7/2	6.8						206	89	6				
6	6.2						189	82	6				
6/1	6.0	5	184TC	5	184TC	182	79	5					
6/2	5.8					174	75	5					
5	5.2					156	68	5					
5/1	5.0					150	65	4					
5/2	4.7	3	184TC	3	184TC	144	62	4					
4	4.1					125	54	4					
4/1	3.8					118	51	4					
4/2	3.7					113	49	3					
3	3.1	3	184TC	3	184TC	93	40	3					
3/1	2.9					87	38	3					
3/2	2.6					79	34	2					
2	2.0					63	27	2					
2/1	1.8					55	24	2					
2/2	1.6					49	21	1					
1	1.0					31	13	1					

66SV 1750 RPM

No. of Impellers	Maximum HP draw	Motor Selection using SF			Motor Selection 1.0 SF			Shutoff TDH (Feet)	Shutoff TDH (psi)	Shutoff TDH (Bar)	Casing/Sleeve Pressure Rating (standard assy.)	Pump Flange Rating	Stages Requiring Thrust Balancing Piston
		Rated HP	NEMA Motor Frame		Rated HP	NEMA Motor Frame							
			ODP	TEFC		ODP	TEFC						
6	9.0	10	215TC	215TC	10	213TC	215TC	211	91	6	25 Bar (362 psi)	Class 125 / 150	
6/1	8.6							203	88	6			
6/2	8.3	7.5	184TC	7.5	7.5	184TC	197	85	6				
5	7.5						175	76	5				
5/1	7.1						168	73	5				
5/2	6.9						162	70	5				
4	6.0						140	61	4				
4/1	5.6						134	58	4				
4/2	5.4						127	55	4				
3	4.5	5	184TC	5	184TC	106	46	3					
3/1	4.1					98	42	3					
3/2	3.9					92	40	3					
2	3.0					70	30	2					
2/1	2.6	3	184TC	3	184TC	64	28	2					
2/2	2.4					57	25	2					
1	1.5					36	15	1					

Commercial Water

TECHNICAL DATA - PUMP HYDRAULICS / MOTOR SIZING

92SV 1750 RPM

No. of Impellers	Maximum HP draw	Motor Selection using SF			Motor Selection 1.0 SF			Shutoff TDH (Feet)	Shutoff TDH (psi)	Shutoff TDH (Bar)	Casing/Sleeve Pressure Rating (standard assy.)	Pump Flange Rating	Stages Requiring Thrust Balancing Piston
		Rated HP	NEMA Motor Frame		Rated HP	NEMA Motor Frame							
			ODP	TEFC		ODP	TEFC						
6	11.5	10	215TC	215TC	15	215TC	254TC	227	98	7	25 Bar (362 psi)	Class 125 / 150	
6/1	11.1							221	96	7			
6/2	10.7							215	93	6			
5	9.8				10	213TC	215TC	190	82	6			
5/1	9.7							184	80	5			
5/2	9.2							178	77	5			
4	7.7	7.5	184TC	7.5	184TC	153	66	5					
4/1	7.6					146	63	4					
4/2	7.1					140	61	4					
3	5.8					114	49	3					
3/1	5.6					107	46	3					
3/2	5.1					102	44	3					
2	3.9	5	184TC	5	184TC	76	33	2					
2/1	3.6					69	30	2					
2/2	3.1					64	28	2					
1	1.9	3	184TC	3	184TC	37	16	1					
1/1	1.6					31	14	1					

125SV 1750 RPM

No. of Impellers	Maximum HP draw	Motor Selection using SF			Motor Selection 1.0 SF			Shutoff TDH (Feet)	Shutoff TDH (psi)	Shutoff TDH (Bar)	Casing/Sleeve Pressure Rating (standard assy.)	Pump Flange Rating
		Rated HP	NEMA Motor Frame		Rated HP	NEMA Motor Frame						
			ODP	TEFC		ODP	TEFC					
8/0C	16.47	15	215TC	254TC	20	254TC	256TC	257	111	7.7	25 Bar (362 psi)	Class 125 / 150
7/0C	14.22	15	215TC	254TC	15	215TC	254TC	225	97	6.7		
6/6A	11.4	10	213TC	215TC	15	215TC	254TC	179	78	5.3		
5/5A	9.5	10	213TC	215TC	10	213TC	215TC	150	65	4.5		
4/0C	8.23	7.5	184TC	184TC	10	213TC	215TC	128	55	3.8		
3/3A	5.70	5	182TC	184TC	7.5	184TC	184TC	89	39	2.7		
2/0C	4.36	5	182TC	184TC	5	182TC	184TC	66	29	2.0		

TECHNICAL DATA - WATER PROPERTY CHART

Temp °F	Temp °C	Specific Volume (Cubic ft/lb)	Specific Gravity			Weight (lb/cubic ft)	Vapor Pressure (psi Abs)
			@ 39.2°F	@ 60°F	@ 68°F		
32	0.0	0.01602	1.000	1.001	1.002	62.42	0.088
35	1.7	0.01602	1.000	1.001	1.002	62.42	0.100
40	4.4	0.01602	1.000	1.001	1.002	62.42	0.122
50	10.0	0.01603	0.999	1.001	1.002	62.38	0.178
60	15.6	0.01604	0.999	1.000	1.001	62.34	0.256
70	21.1	0.01606	0.998	0.999	1.000	62.27	0.363
80	26.7	0.01608	0.996	0.998	0.999	62.19	0.507
90	32.2	0.0161	0.995	0.996	0.997	62.11	0.698
100	37.8	0.01613	0.993	0.994	0.995	62.00	0.949
120	48.9	0.0162	0.989	0.990	0.991	61.73	1.692
140	60.0	0.01629	0.983	0.985	0.986	61.39	2.889
160	71.1	0.01639	0.977	0.979	0.979	61.01	4.741
180	82.2	0.01651	0.970	0.972	0.973	60.57	7.510
200	93.3	0.01663	0.963	0.964	0.966	60.13	11.526
212	100.0	0.01672	0.958	0.959	0.960	59.81	14.696
220	104.4	0.01677	0.955	0.956	0.957	59.63	17.186
240	115.6	0.01692	0.947	0.948	0.949	59.10	24.97
260	126.7	0.01709	0.938	0.939	0.940	58.51	35.43
280	137.8	0.01726	0.928	0.929	0.930	58.00	49.20
300	148.9	0.01745	0.918	0.919	0.920	57.31	67.01
320	160.0	0.01756	0.908	0.909	0.910	56.66	89.66
340	171.1	0.01787	0.896	0.898	0.899	55.96	118.01
360	182.2	0.01811	0.885	0.886	0.887	55.22	153.04
380	193.3	0.01836	0.873	0.874	0.875	54.47	195.77
400	204.4	0.01864	0.859	0.860	0.862	53.65	247.31
420	215.6	0.01894	0.846	0.847	0.848	52.80	308.83
440	226.7	0.01926	0.832	0.833	0.834	51.92	381.59
460	237.8	0.0196	0.817	0.818	0.819	51.02	466.9
480	248.9	0.02	0.801	0.802	0.803	50.00	566.1
500	260.0	0.0204	0.785	0.786	0.787	49.02	680.8
520	271.1	0.0209	0.765	0.766	0.767	47.85	812.4
540	282.2	0.0215	0.746	0.747	0.748	46.51	962.5
560	293.3	0.0221	0.726	0.727	0.728	45.30	1133.1
580	304.4	0.0228	0.703	0.704	0.704	43.90	1325.8
600	315.6	0.0236	0.678	0.679	0.680	42.30	1542.9
620	326.7	0.0247	0.649	0.650	0.650	40.50	1786.6
640	337.8	0.026	0.617	0.618	0.618	38.50	2059.7
660	348.9	0.0278	0.577	0.577	0.578	36.00	2365.4
680	360.0	0.0305	0.525	0.526	0.527	32.80	2708.1
700	371.1	0.0369	0.434	0.435	0.435	27.10	3093.7

Commercial Water

TECHNICAL DATA - NPSH

NPSH

The minimum operating values that can be reached at the pump suction end are limited by the onset of cavitation.

Cavitation is the formation of vapor-filled cavities within liquids where the pressure is locally reduced to a critical value, or where the local pressure is equal to, or just below the vapor pressure of the liquid.

The vapor-filled cavities flow with the current and when they reach a higher pressure are the vapor contained in the cavities condenses. The cavities collide, generating pressure waves that are transmitted to the walls. These, being subjected to stress cycles, gradually become deformed and yield due to fatigue. This phenomenon, characterized by a metallic noise produced by the hammering on the pipe walls, is called incipient cavitation.

The damage caused by cavitation may be magnified by electrochemical corrosion and a local rise in temperature due to the plastic deformation of the walls. The materials that offer the highest resistance to heat and corrosion are alloy steels, especially austenitic steel. The conditions that trigger cavitation may be assessed by calculating the total net suction head, referred to in technical literature with the acronym NPSH (Net Positive Suction Head).

The NPSH represents the total energy (expressed in feet) of the liquid measured at suction under conditions of incipient cavitation, excluding the vapor pressure (expressed in feet) that the liquid has at the pump inlet.

To find the static height (h_z) at which to install the machine under safe conditions, the following formula must be verified:

$$h_p + h_z \geq (\text{NPSHr} + 2 \text{ ft}) + h_f + h_{pv}$$

where:

h_p is the absolute pressure applied to the free liquid surface in the suction tank, expressed in feet of liquid; h_p is the quotient between the barometric pressure and the specific weight of the liquid.

h_z is the suction lift between the pump axis and the free liquid surface in the suction tank, expressed in feet; h_z is negative when the liquid level is lower than the pump axis.

h_f is the flow resistance in the suction line and its accessories, such as: fittings, foot valve, gate valve, elbows, etc.

h_{pv} is the vapor pressure of the liquid at the operating temperature, expressed in feet of the liquid. h_{pv} is the quotient between the P_v vapor pressure and the liquid's specific weight.

0.5 is the safety factor.

The maximum possible suction head for installation depends on the value of the atmospheric pressure (i.e. the elevation above sea level at which the pump is installed) and the temperature of the liquid.

To help the user, with reference to water temperature (40°F) and to the elevation above sea level, the following tables show the drop in hydraulic pressure head in relation to the elevation above sea level, and the suction loss in relation to temperature.

Water Temperature (°F)	68	104	140	176	194	230	248
Suction Loss (ft)	-0.7	2.3	6.6	16.4	24.3	50.5	70.5

Elevation Above Sea Level (ft)	1600	3300	4900	6500	8200	9800
Suction Loss (ft)	1.8	3.6	5.4	7.2	9.0	10.8

To reduce it to a minimum, especially in cases of high suction head (over 13 - 16 feet) or within the operating limits with high flow rates, we recommend using a suction line having a larger diameter than that of the pump's suction port. It is always a good idea to position the pump as close as possible to the liquid to be pumped.

TECHNICAL DATA - COMPATABILITY CHART FOR MATERIALS IN CONTACT WITH MOST COMMONLY USED LIQUIDS

Liquid	Concentration (%)	Temperature Min/Max °F	Specific Weight (lb/in ³)	SV 1, 3, 5, 10, 15, 22		SV 33, 46, 66, 92		Recommended Seal	Elastomers
				304	316	CI/316	316		
Water	100	23/248		•	•	•	•	Q ₁ BEGG	E
Deionized, demineralized or distilled water	100	-13/230		•	•	•	•	Q ₁ BEGG	E
Water and oil emulsion	any	23/194		•	•	•	•	Q ₁ BVGG	V
Acetic acid (•)	80	14/158	.038	•	•	•	•	Q ₁ BEGG	E
Citric acid	5	14/158	.056	•	•	•	•	Q ₁ BEGG	E
Hydrochloric acid	2	23/77	.043		•		•	Q ₁ Q ₁ VGG	V
Phosphoric acid	10	23/86	.048		•		•	Q ₁ BEGG	E
Nitric acid (•)	50	23/86	.053	•	•	•	•	Q ₁ Q ₁ VGG	V
Sulphuric acid (•)	2	14/77	.066		•		•	Q ₁ BVGG	V
Tannic acid	20	32/122			•		•	Q ₁ BEGG	E
Tartaric acid	50	14/77	.063	•	•	•	•	Q ₁ Q ₁ VGG	V
Uric acid	80	14/176	.068	•	•	•	•	Q ₁ BEGG	E
Benzoic acid	70	32/158	.047	•	•	•	•	Q ₁ BVGG	V
Boric acid	Saturated	14/194	.052	•	•	•	•	Q ₁ Q ₁ VGG	V
Formic acid (•)	5	5/77	.044	•	•	•	•	Q ₁ BEGG	E
Ethyl alcohol (•)	100	23/104	.029	•	•	•	•	Q ₁ BEGG	E
Methyl alcohol (•)	100	23/104	.029	•	•	•	•	Q ₁ BEGG	E
Propyl alcohol (•)	100	23/176	.029	•	•	•	•	Q ₁ BEGG	E
Butyl alcohol	100	23/176	.030	•	•	•	•	Q ₁ BVGG	V
Denatured alcohol (•)	100	23/158	.030	•	•	•	•	Q ₁ BEGG	E
Ammonia in water (•)	25	-4/122	.038	•	•	•	•	Q ₁ BEGG	E
Chloroform		14/86	.053	•	•	•	•	Q ₁ BVGG	V
Caustic soda	25	32/158	.077	•	•	•	•	Q ₁ Q ₁ EGG	E
Water, detergents, mineral oils mixture		23/176		•	•	•	•	Q ₁ Q ₁ VGG	V
Cleaning products		23/212		•	•	•	•	Q ₁ Q ₁ VGG	V
Glycerine	100	68/194	.046	•	•	•	•	Q ₁ BEGG	E
Sodium Hypochlorite	1	14/77			•		•	Q ₁ Q ₁ VGG	V
Phosphates/polyphosphates		23/194			•		•	Q ₁ Q ₁ VGG	V
Sodium nitrate	Saturated	14/176	.081	•	•	•	•	Q ₁ BEGG	E
Cutting fluid	100	23/230	.033	•	•	•	•	Q ₁ BVGG	V
Peanut oil (•)	100	23/230	.034	•	•	•	•	Q ₁ BEGG	E
Colza oil (•)	100	23/230	.034	•	•	•	•	Q ₁ BEGG	E
Linseed oil (•)	100	23/230	.034	•	•	•	•	Q ₁ BEGG	E
Coconut oil (•)	100	-4/194	.033	•	•	•	•	Q ₁ BEGG	E
Soybean oil (•)	100	32/194		•	•	•	•	Q ₁ BEGG	E
Diathermic oil	100	23/230	.033	•	•	•	•	Q ₁ BVGG	V
Hydraulic oil	100	23/230		•	•	•	•	Q ₁ BVGG	V
Mineral oil	100	23/230	.034	•	•	•	•	Q ₁ BVGG	V
Sodium sulfate	15	14/104	.094	•	•	•	•	Q ₁ Q ₁ EGG	E
Aluminum sulfate	30	23/122	.097		•		•	Q ₁ Q ₁ EGG	E
Ammonium sulfate	10	14/140	.064		•		•	Q ₁ Q ₁ EGG	E
Iron sulfate	10	23/86	.076		•		•	Q ₁ BEGG	E
Copper sulfate	20	32/86	.082		•		•	Q ₁ Q ₁ VGG	V
Trichloroethylene		14/104	.053	•	•	•	•	Q ₁ BVGG	V
Perchloroethylene		14/86	.057	•	•	•	•	Q ₁ BVGG	V

Legend

Q₁ = Silicon carbide B = Impregnated carbon E = EPDM V = Viton G = AISI 316 (spring, metal components)

(•) A special version may be necessary for this fluid. For additional information, please contact our sales network.



Xylem Inc.
 1 Goulds Drive
 Auburn, NY 13021
 Phone: (866) 325-4210
 Fax: (888) 322-5877
www.gouldswatertechnology.com

Goulds is a registered trademark of Goulds Pumps, Inc. and is used under license.
 © 2015 Xylem Inc. BeSV60 R6 December 2015