



GSP0311

CAST IRON SUMP PUMP

FEATURES

- Cast iron body
- Corrosion-resistant fasteners
- Thermoplastic impeller and cover
- Oil-cooled motor
- Motor is permanently lubricated for extended service life and is powered for continuous operation.
- Complete unit is heavy duty, portable, and compact
- Built-In Vent Hole: Prevent air-binding with no added labor
- Upper and lower sleeve bearings
- Premium mechanical seal design

APPLICATIONS

Specially designed for the following uses:

- Basement draining
- Water transfer
- Dewatering
- Filtered Effluent

SPECIFICATIONS

- Discharge size: 1 ½" NPT.
- Capacities: to 43 GPM.
- Maximum head: 22 foot TDH
- Maximum solids handling: ½" spherical
- Temperature: 130° F (54° C)
- Mechanical seal: Silicon Carbide/Carbon/BUNA

MOTOR

- 1/3 HP, 115 V, 60 Hz, single phase, 10 amps maximum, 1550 RPM
- Automatic vertical float, manual float switch option
- Shaded pole motor type
- Built-in thermal overload protection
- Oil filled design
- Power Cord: 9 foot standard length with NEMA 5-15P plug

AGENCY LISTINGS

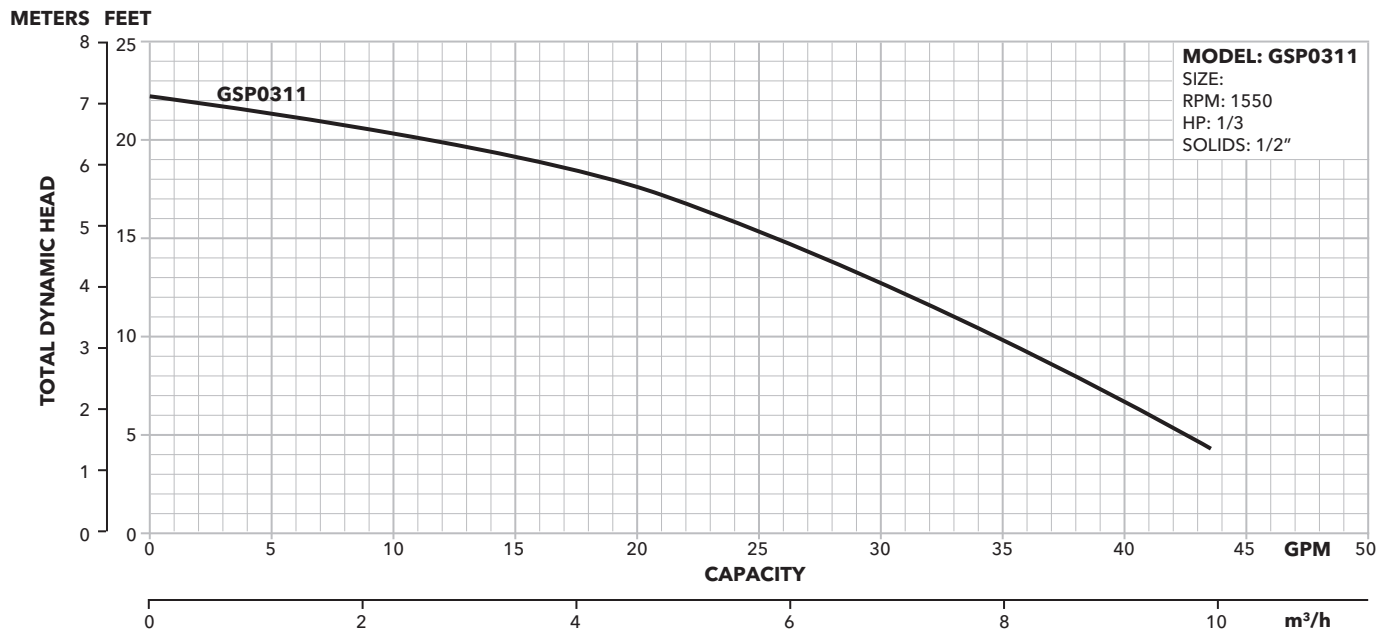


Tested to UL778 CAN 22.2 by
CSA International (Canadian Standards Association)

PERFORMANCE RATINGS

| Total Head (feet of water) | GPM | GPH |
|-------------------------------|-----|------|
| 5 | 42 | 2520 |
| 10 | 35 | 2100 |
| 15 | 26 | 1560 |
| 20 | 11 | 660 |

GSP03 PERFORMANCE CURVE

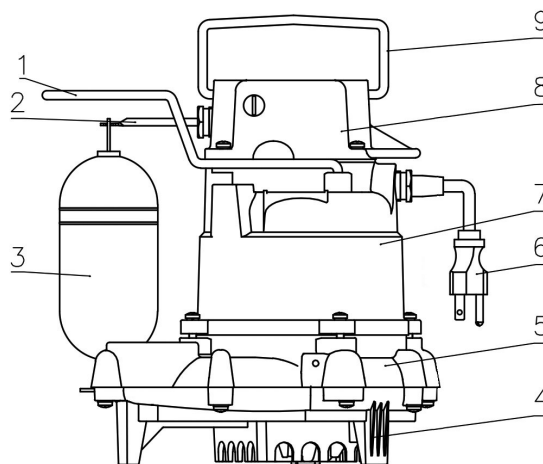


MODEL INFORMATION

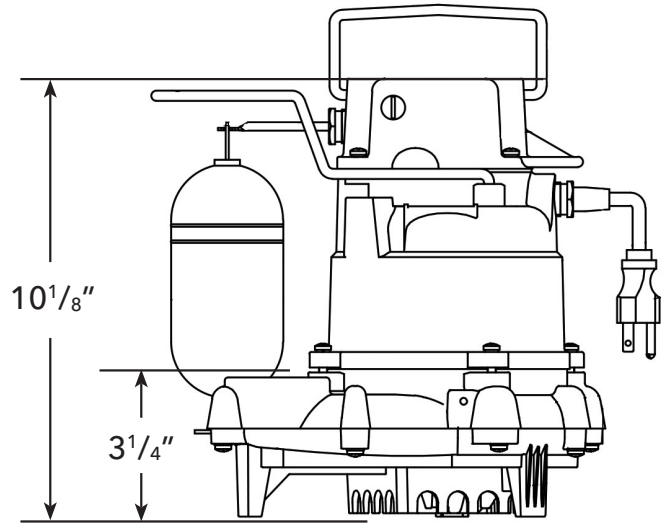
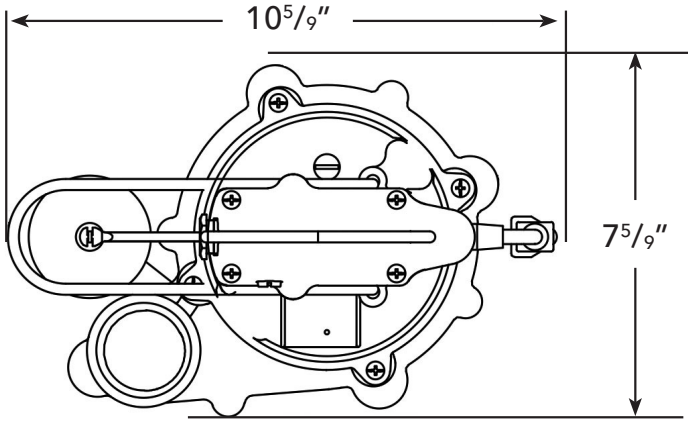
| Model | Part No. | HP | Volts | Amps | Minimum Circuit Breaker | Phase | Float Switch Style | Cord Length | Discharge Connection | Min. On Level | Min. off Level | Min. Basin Diameter | Max. Solids Size | Shipping Weight |
|-------|----------|-----|-------|------|-------------------------|-------|--------------------|-------------|----------------------|---------------|----------------|---------------------|------------------|-----------------|
| GSP | GSP0311 | 1/3 | 115 | 10 | 15A | 1 | Vertical | 9' | 1 1/2" | 7 1/4" | 3 1/2" | 1' | 1/2" | 27 lbs |
| GSP | GSP0311M | 1/3 | 115 | 10 | 15A | 1 | Not Supplied | 9' | 1 1/2" | - | - | 1' | 1/2" | 27 lbs |

COMPONENTS

| Item No. | Description |
|----------|---------------------------|
| 1 | Float Bracket |
| 2 | Float Rod |
| 3 | Float |
| 4 | Base |
| 5 | Seal Housing |
| 6 | Plug |
| 7 | Motor Dome |
| 8 | Mechanical Switch Housing |
| 9 | Handle |



DIMENSIONS



REPAIR PARTS

| Part Description | Part No. | Part |
|------------------|----------|--|
| GSP-SWITCH | 9K701 | Switch Assembly with Gasket and Hardware |

xylem
Let's Solve Water

Xylem Inc.
2881 East Bayard Street Ext., Suite A
Seneca Falls, NY 13148
Phone: (866) 325-4210
Fax: (888) 322-5877
www.gouldswatertechnology.com

Goulds is a registered trademark of Goulds Pumps, Inc. and is used under license.
© 2017 Xylem Inc. BGSP03 R2 June 2017