



Iwaki APN-W liquid/gas pumps are the perfect combination of form and function. The use of a special diaphragm allows the pump to transfer both air and liquid efficiently. The compact lightweight unit offers optimum sizing for analytical equipment.

- **Increase system reliability** - APN-W's patented valve design provides consistent self-priming even handling waste slurries.
- **Ease of integration** - Equipped with compact brushed or BLDC motors and suction/discharge ports that can be mounted in any configuration, APN-W is a 'drop-in' upgrade for any competitive vacuum pump.
- **Increase device portability**- Miniature 12/24 VDC motors combined with lightweight corrosion-resistant materials promote increased portability of your instrument.
- **Reduce system noise** - APN-W pumps employ several proven methods for noise reduction including; structured valve design and enhanced diaphragms for handling liquid or gas, enlarged bearings for smooth rotation, and external vibration dampeners for the most critical applications.
- **Reduce maintenance costs** - Manufactured under strict ISO 9001/14001 quality standards and assembled with the most chemically-inert materials, Iwaki APN-W pumps are built for the life of your system.
- **Simplify system designs** - APN-W is the one pump to do it all. Whether pumping gas, liquid or slurries, or being used for vacuum or compression, APN-W is the most versatile pump for your system.

Standard applications

- Analytical/Medical Equipment
- Chemical/Laboratory Equipment
- Print/Photo Processing Equipment
- Electronic Equipment
- Food Processing/Vending Machine
- Industrial Equipment

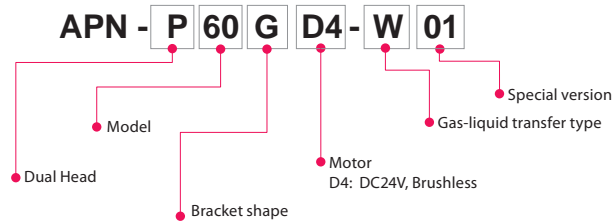


APN-P60-W

series



Pump identification

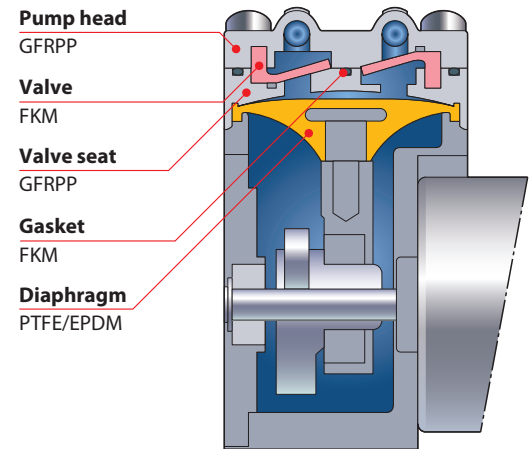


Specifications

Gas Transfer	Max Flow	mL/min	2400
	Max discharge pressure	MPa	0.08
	Max vacuum	kPa	47.99
	Handling gas temperature	°C	5 to 40
Liquid Transfer	Max Flow ^(Note)	mL/min	1000
	Max discharge pressure	MPa	0.05
	Handling liquid temperature	°C	10 to 40
Motor	Output	W	16
	Power consumption ^{Note}	W	20.6
	Rated current ^{Note}	A	0.86
	Rated voltage	V	DC24
Mass		g	240

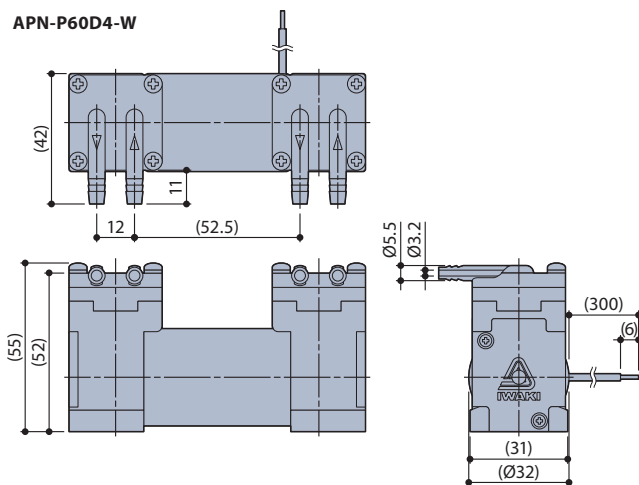
Note: Based upon water at 20°C

Construction and materials

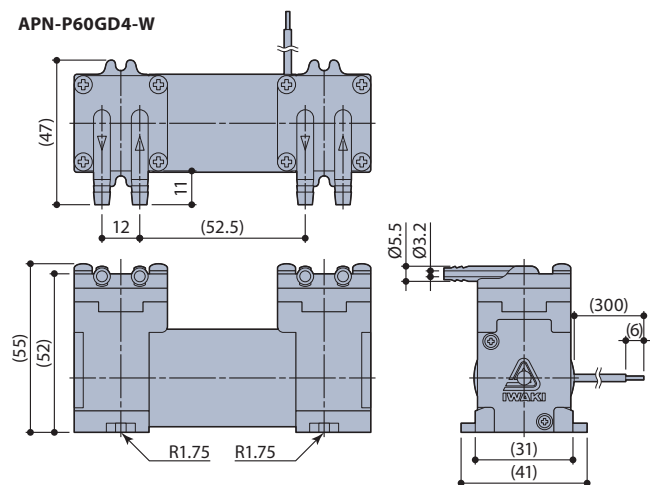


Dimensions (in mm)

APN-P60D4-W

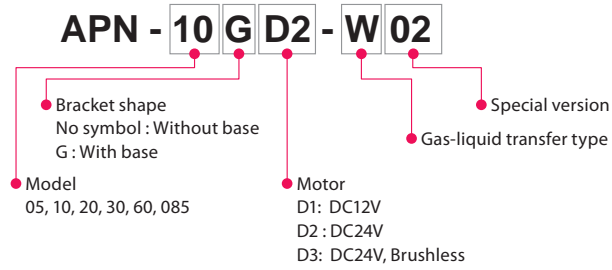


APN-P60GD4-W



APN-W series

Pump identification

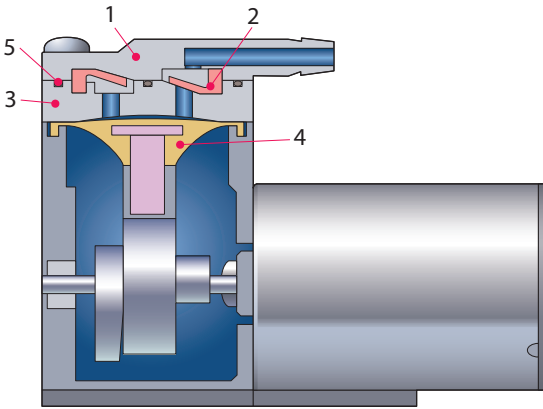


Specifications

Model	APN-05	APN-10	APN-20	APN-30	APN-60	APN-085
Water transfer performance (mL/min)	50	100	200	300	600	500
Air transfer performance (mL/min)	100	200		1200		4000
Vacuum in Hg (kPa)	26 (87.99)	22 (74.66)		14.2 (47.99)		10 (34.66)
Air discharge pressure PSI (Mpa)	1.45 (0.01)	4.35 (0.03)		11.6 (0.08)		7.3 (0.05)
Voltage*	DC 24V					
Dimension inches (mm)	1.02 x 2.48 x 1.81 (W26 x L63 x H46)			1.18 x 3.15 x 2.17 (W30 x L80 x H55)		3.15 x 5.12 x 4.76 (W80 x L130 x H121)

* Other options available upon request. Please consult Iwaki America for the exact pump to fit your application.

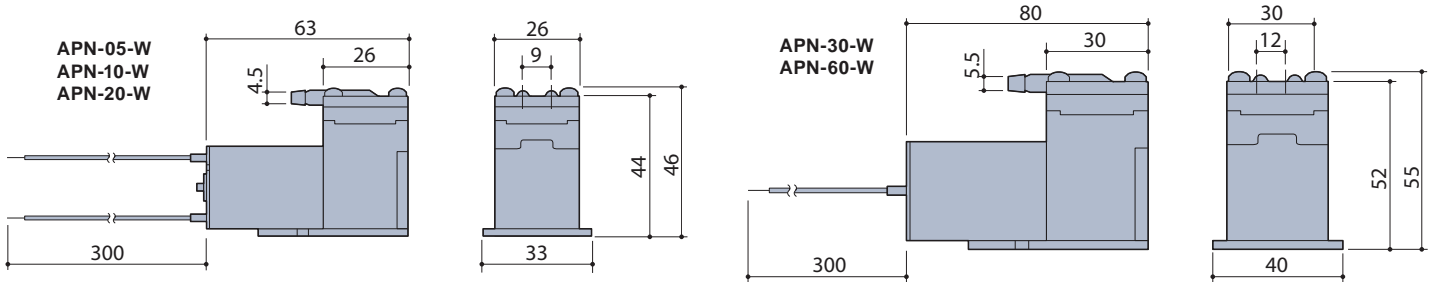
Construction and materials



1	Pump Head	GFRPP
2	Valve	FKM, EPDM, Perfluoro®Note
3	Valve Seat	GFRPP
4	Diaphragm	FKM, EPDM, Perfluoro®Note
5	Gasket	FKM, EPDM, PTFE/EPDMNote

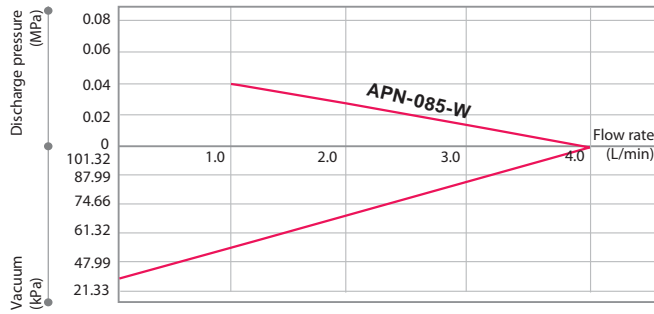
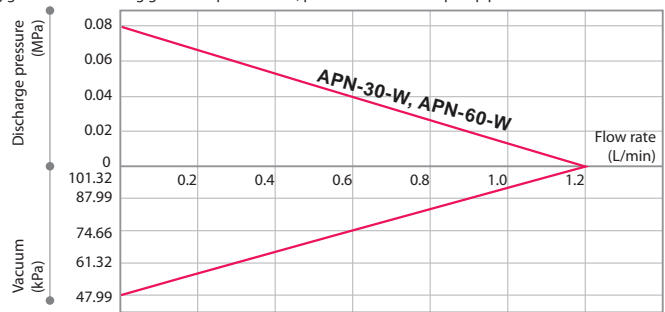
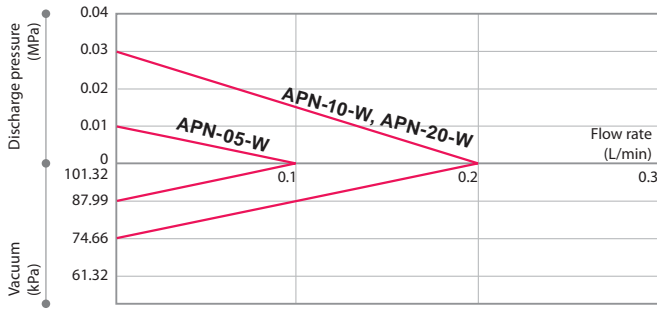
Note: Special order

Dimensions (in mm)



Performance Curves

Performance shows when handling gas. When handling gas and liquid mixture, please contact us for pump performance.



APN-P60-W

