

SUMMIT™

2175

2175



Stock/Process Pump



SUMMIT™
PUMP, Inc

www.SUMMITPUMP.com

Applications

Pulp & Paper
cleaners
filtrate
liquor
screen rejects

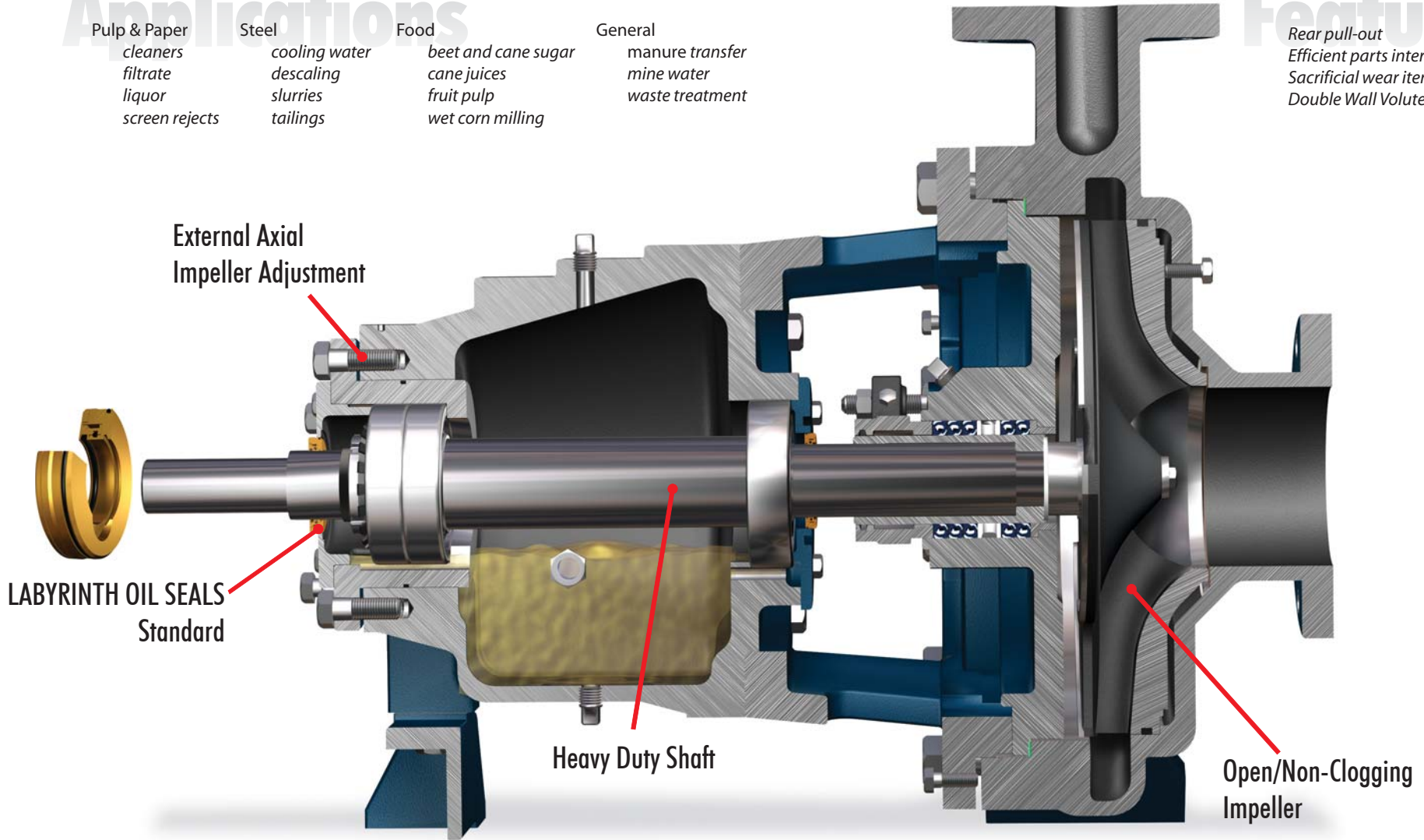
Steel
cooling water
descaling
slurries
tailings

Food
beet and cane sugar
cane juices
fruit pulp
wet corn milling

General
manure transfer
mine water
waste treatment

Features

Rear pull-out
Efficient parts interchangeability
Sacrificial wear items
Double Wall Volute on Larger Sizes



External Axial
Impeller Adjustment

LABYRINTH OIL SEALS
Standard

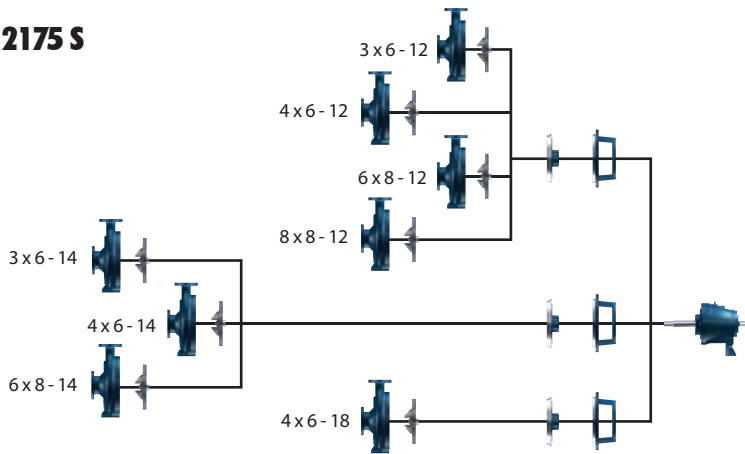
Heavy Duty Shaft

Open/Non-Clogging
Impeller

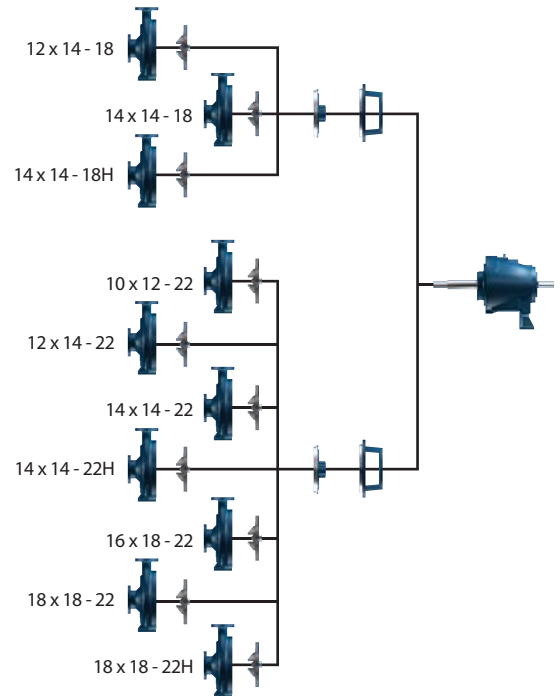
Model 2175

Interchangeability and Dimensional Data

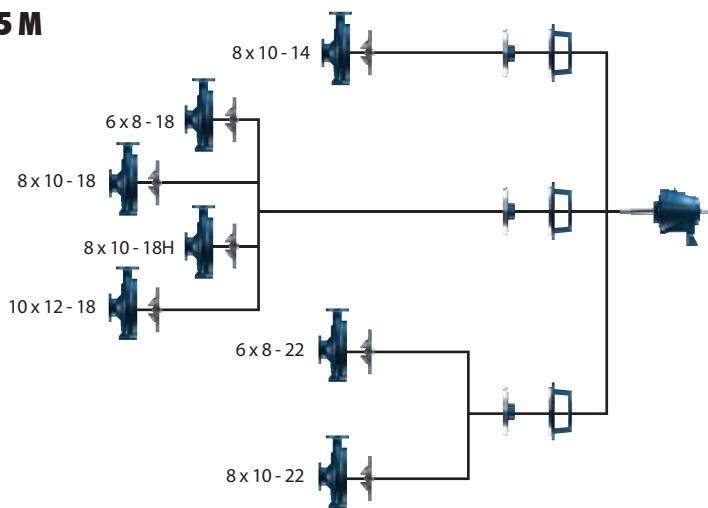
2175 S



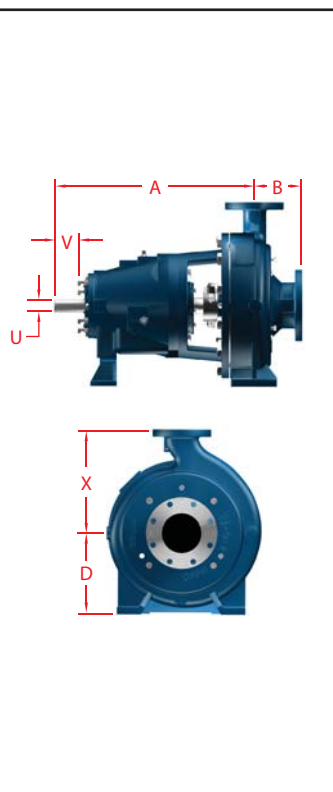
2175 L



2175 M



PUMP DIMENSIONS



Pump Frame	Pump Size	Dis.	Suc.	X	D	B	A	Shaft		
								U	Key	V
S	3X6-12	3	6	13	12.50	7.25	32.50	1.875	1/2	4.87
	4X6-12	4	6	14.5						
	6X8-12	6	8	16						
	8X8-12	8	8	19	14.50	8.12	33.00			
	3X6-14	3	6	13	12.50	7.25	32.50			
	4X6-14	4	6	14.5						
	4X6-18	4	6	16						
6X8-14	6	8	16							
M	6X8-18	6	8	18	14.50	7.25	32.50	2.375	5/8	5.00
	6X8-22	6	8	21	17.00					
	8X10-14	8	10	19	14.50	8.12	33.00			
	8X10-18	8	10	21						
	8X10-18H	8	10	21	17.00	8.12	33.00			
	8X10-22	8	10	23						
	10X12-18	10	12	23	20.00					
L	10X12-22	10	12	25	20.00	8.12	33.00	3.375	7/8	5.50
	12X14-18	12	14	25						
	12X14-22	12	14	27						
	14X14-18	14	14	27	22.00	8.87	33.62			
	14X14-18H	14	14	27						
	14X14-22	14	14	30	28.00	12.75	34.68			
	14X14-22H	14	14	30						
	16X18-22	16	18	32						
	18X18-22	18	18	34	28.00	9.87	33.62			
18X18-22H	18	18	34							