

# Series GJ

MAGNETIC DRIVE GEAR PUMP  
EAGLEDRIVE™



Series GJ pumps deliver exceptional pumping performance for any high-precision application. These compact magnetically driven gear pumps feature a cavity style design for smooth pulseless fluid delivery. The magnetic drive eliminates leak points associated with dynamic shaft seals, while providing energy-efficient fluid delivery. This pump, standard with an electromagnetic EagleDrive™, provides a highly efficient, compact pumping package that easily integrates into your system design.

## PERFORMANCE SUMMARY

MAX RATED DIFFERENTIAL PRESSURE  
5.6 Bar (80 psi)

MAX FLOW RATE (5500 RPM)  
6.8 L/min (1.79 US gpm)

MAX RATED SYSTEM PRESSURE  
21 Bar (300 psi)

TEMPERATURE RANGE  
-40 to 77°C (-40 to 171°F)

VISCOSITY RANGE  
0.5 to 1500 cps

### HIGH PERFORMANCE OPERATION

- ▶ Positive displacement, precision gears for smooth pulseless fluid delivery
- ▶ Electromagnetic drive, with low inertia and high torque, for fast response times
- ▶ Cavity Style pumps are excellent for wide-ranging inlet and outlet operating conditions, and allow for intermittent reverse operation

### FLUID PATH INTEGRITY

- ▶ The magnetic drive eliminates dynamic shaft seals, keeping the fluid in and contaminants out

### LONG LIFE

- ▶ Precisely designed and manufactured gears stand the test of rugged duty
- ▶ Chemically resistant construction materials stand up to chemically aggressive fluids
- ▶ Electromagnetic drive means fewer moving parts
- ▶ Series GJ pumps are easy to service using a Micropump service kit and simple hand tools

### EASY DESIGN INTEGRATION

- ▶ Series GJ pump and EagleDrive provides a compact package, enabling easy integration into system designs
- ▶ Supports wide range of power supply voltages (10-38V)
- ▶ Error signals for easy error detection and diagnosis

# Series GJ

## MAGNETIC DRIVE GEAR PUMP N21 & N23

EAGLEDRIVE™

### PUMP PERFORMANCE

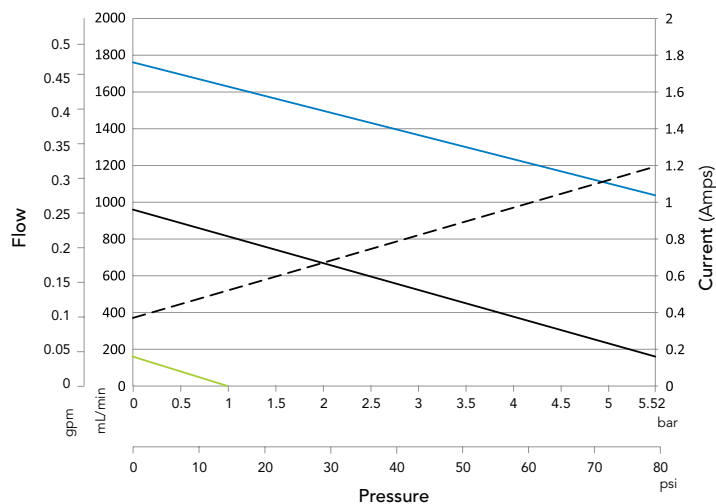
Power Supply Voltage = 24 VDC

Water @ 1cps

— Speed control = 5V      — Speed control = 1V  
— Speed control = 3V      - - - Power Supply Current



GJ-N21-DEMSE Performance

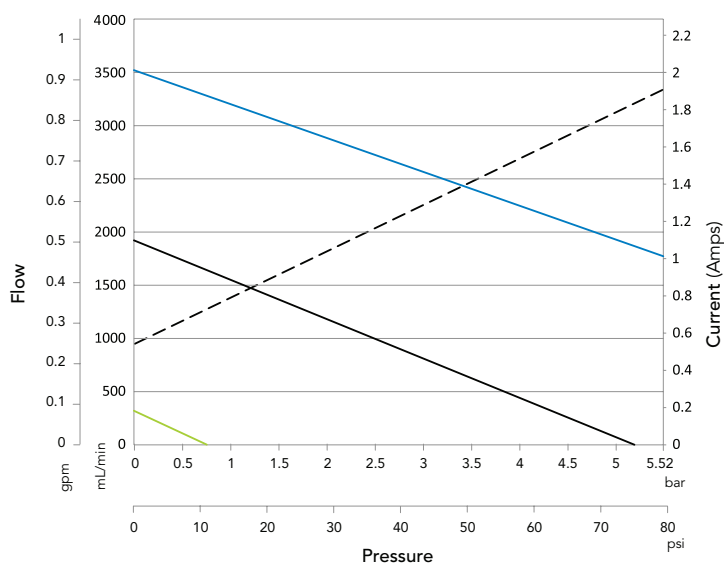


**FLOW RATE NOMINAL:** 600 mL/min (@ 2.8 Bar, 3V)

**FLOW RATE MAX:** 1760 mL/min (@ 0 Bar, 5V)

**DISPLACEMENT:** 0.32 mL/rev

GJ-N23-DEMSE Performance

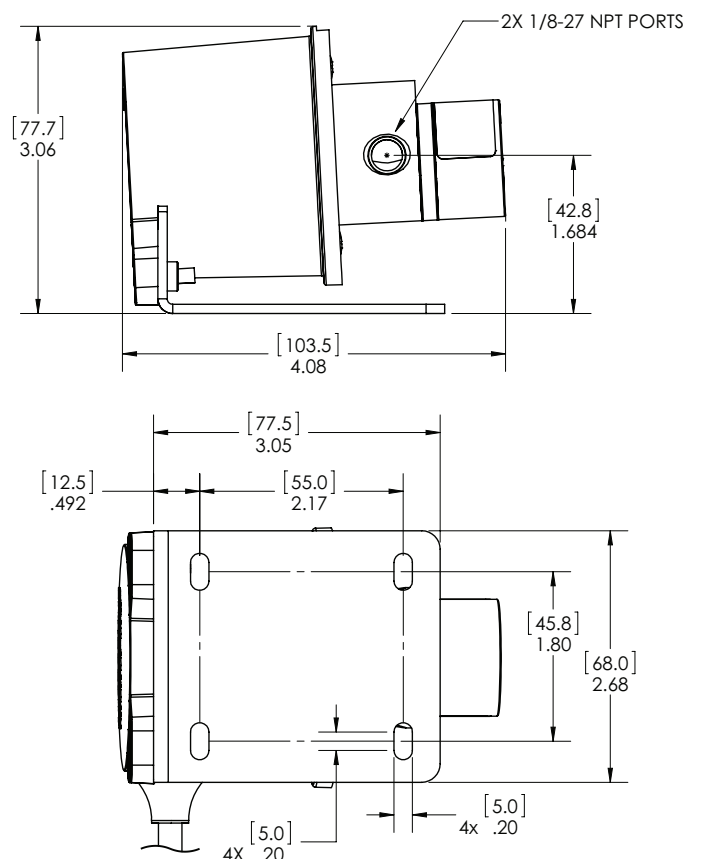


**FLOW RATE NOMINAL:** 900 mL/min (@ 2.8 Bar, 3V)

**FLOW RATE MAX:** 3520 mL/min (@ 0 Bar, 5V)

**DISPLACEMENT:** 0.64 mL/rev

### DIMENSIONS



\*Units: mm(in). Nominal dimensions shown

# Series GJ

## MAGNETIC DRIVE GEAR PUMP N25 & N27

EAGLEDRIVE™

### PUMP PERFORMANCE

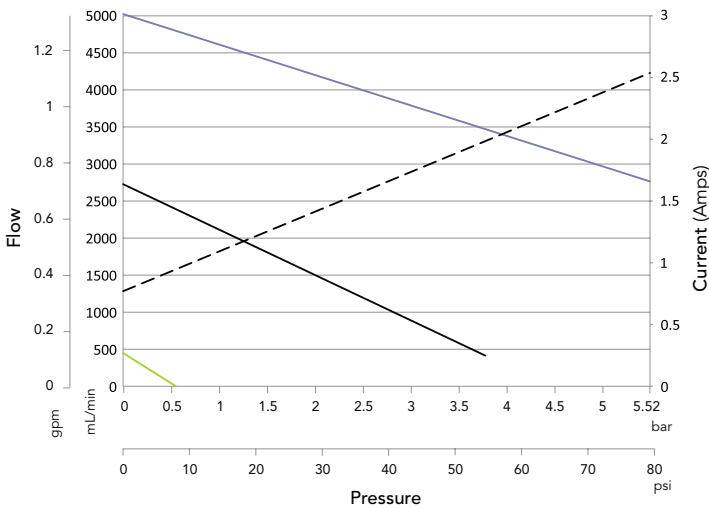
Power Supply Voltage = 24 VDC

Water @ 1cps

— Speed control = 5V      — Speed control = 1V  
— Speed control = 3V      - - - Power Supply Current

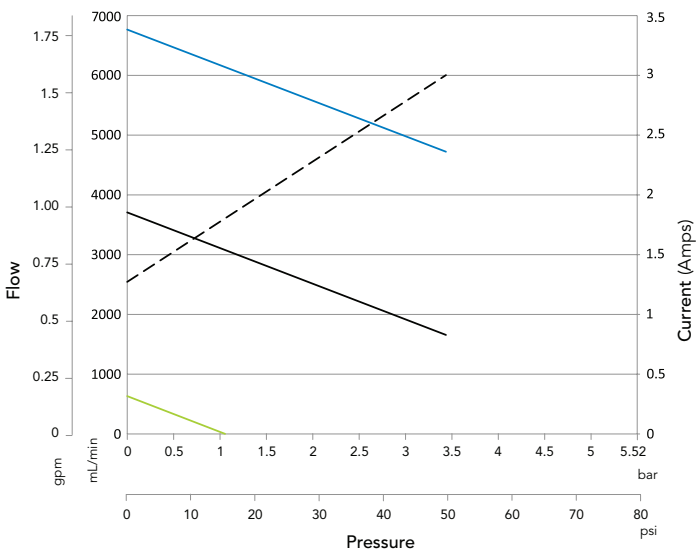


GJ-N25-DEELE Performance



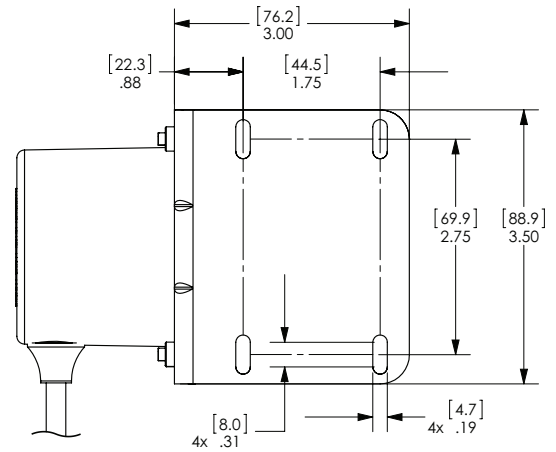
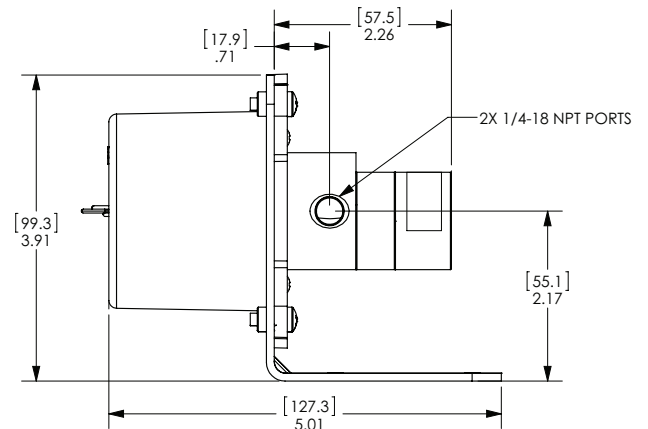
**FLOW RATE NOMINAL:** 1000 mL/min (@ 2.8 Bar, 3V)  
**FLOW RATE MAX:** 5005 mL/min (@ 0 Bar, 5V)  
**DISPLACEMENT:** 0.91 mL/rev

GJ-N27-DEELE Performance



**FLOW RATE NOMINAL:** 2700 mL/min (@ 1.7 Bar, 3V)  
**FLOW RATE MAX:** 6765 mL/min (@ 0 Bar, 5V)  
**DISPLACEMENT:** 1.23 mL/rev

### DIMENSIONS



\*Units: mm(in). Nominal dimensions shown

# DRIVE SPECIFICATIONS - EAGLEDRIVE™

## SPEED

- ▶ 1000 to 8000 rpm (36V)
- ▶ 500 to 5500 rpm (24V)
- ▶ 250 to 2650 rpm (12V)

## SPEED (AT RATED TORQUE)

- ▶ 3750 rpm @10 oz-in (24V) (DEMSE)
- ▶ 3750 rpm @20 oz-in (24V) (DEELE)

## CURRENT AT RATED TORQUE

- ▶ 2A @10 oz-in (24V) (DEMSE)
- ▶ 2.9A @20 oz-in (24V) (DEELE)

## POWER SUPPLY

- ▶ 10V to 38V DC

## TEMPERATURE RANGE

- ▶ -40 to 120°C (-40 to 248°F)

Note: Series GJ come standard with an EagleDrive™ but mounting brackets are available for use with other drives.

## PUMP CONSTRUCTION

- ▶ Magnetic drive gear pump
- ▶ Cavity style
- ▶ Two helical, shafted gears
- ▶ Sleeve bushings
- ▶ PTFE bevel or o-ring seal

## WETTED MATERIALS

### BASE MATERIAL

- ▶ 316 stainless steel

### GEARS

- ▶ PEEK
- ▶ PPS
- ▶ PTFE

### STATIC SEALS

- ▶ PTFE

## MAGNETS

### DRIVEN

- ▶ Rare earth

### DRIVING

- ▶ Electromagnet

## **MICROPUMP®**

Micropump, Inc | A Unit of IDEX Corp. | 1402 NE 136th Avenue • Vancouver, WA 98684

T 800.671.6269 • +1.360.253.2008 | F +1.360.253.8294 | [info.micropump@idexcorp.com](mailto:info.micropump@idexcorp.com) | [www.micropump.com](http://www.micropump.com)

ACTUAL PERFORMANCE MAY VARY. Specifications are subject to change without notice. ©2016 Micropump, Inc., A Unit of IDEX Corporation. Micropump and the Micropump logo are registered trademarks of Micropump, Inc.

REV. 5/17