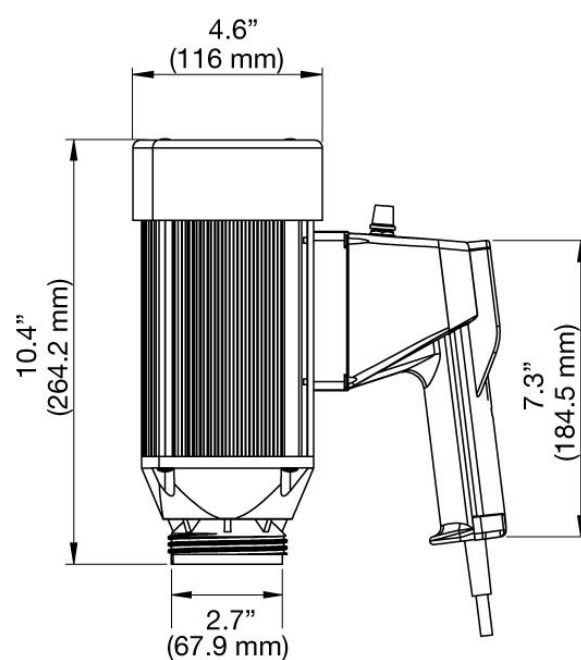
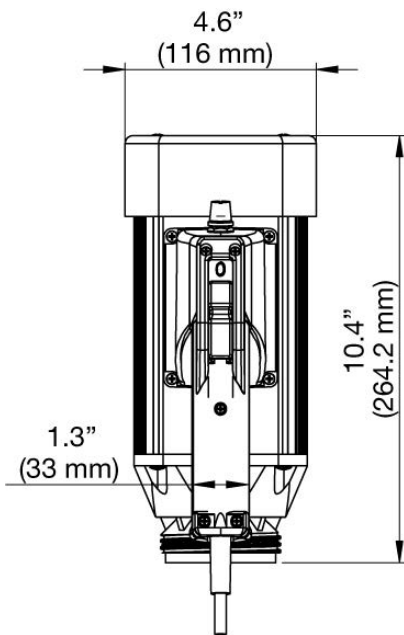


Technical Specifications



Enclosure:	TEFC (IP54)
Available Voltage:	SP-ENC & SP-ENC-V : 110V
.....	SP-ENC-2, SP-ENC-2-V, SP-ENC-2NL & SP-ENC-2-VNL : 220V
Horsepower (Watts):	1.1 (825)
Phase:	1
Amps:	2.5 - 8 (varies by voltage)
Frequency:	50-60 Hz
Insulation Class:	F2
Certification:	ETL (110V) or CE (220V)
Housing Material:	Anodized Aluminum
Power Cord Length:	16 ft. (4,8 m)
Power Cord Plug Type:	NEMA 5-15-P (110V) or CEE 7/7 (220V)
Noise Level:	88 dBa
Low Voltage Release:	SP-ENC-2 & SP-ENC-2-V : Yes
.....	SP-ENC, SP-ENC-V, SP-ENC-2NL & SP-ENC-2-VNL : No
Thermal Overload:	Yes
Variable Speed:	SP-ENC-V, SP-ENC-2-V, & SP-ENC-2-VNL : Yes
.....	SP-ENC, SP-ENC-2 & SP-ENC-2NL : No
Weight:	13 lbs (5,9 kg)



WARNING: Not suitable for pumping flammable or combustible liquids or use in a hazardous duty environment.