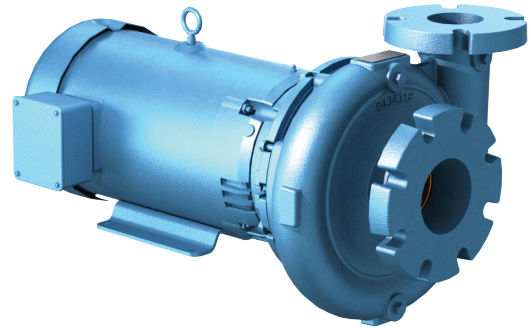
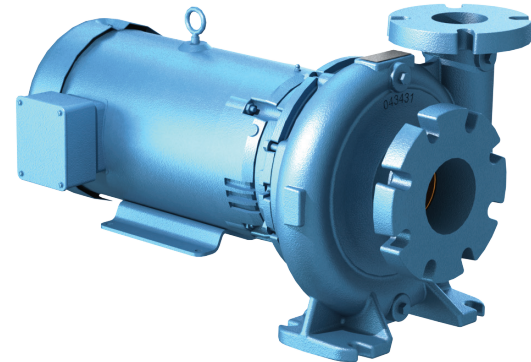


## Back Pull Out End Suction Pumps

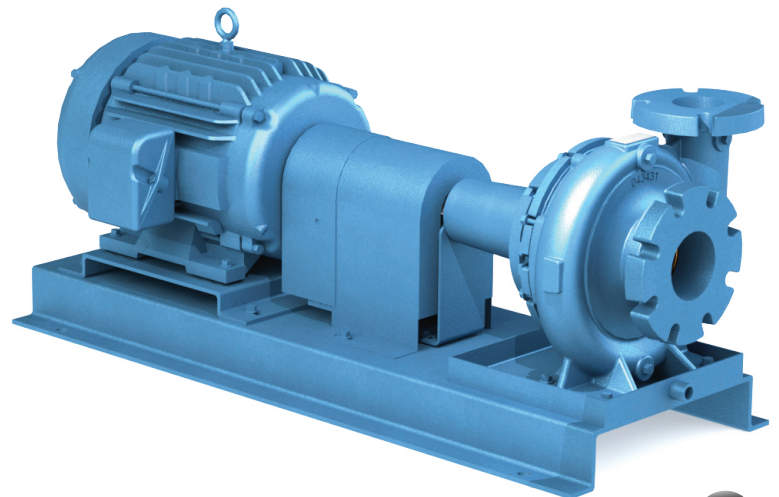
Industrial



Commercial



Municipal



# Weinman Back Pull Out Pump Series

## 375 & 575 Series Close Coupled & Frame Mounted End Suction Back Pull Out Pumps

The Weinman 375 & 575 Series end suction pump is designed to minimize capital, maintenance and operating expenses. These pumps provide a broad range of sizes that offer the high efficiency of a tangential discharge pump and the serviceability of a back pull-out design. Unlike other manufacturers, the Weinman End Suction Back Pull Out Series is self-venting to simplify start-up, is NSF 372 certified (optional NSF 61) and has a standard two-week lead-time. It is a drop-in replacement for 50% of the industry's installed base, eliminating the need to modify piping on the job site. All of these characteristics are supported by more than 150 years of experience, market leading customer service and a brand you trust.

575 Model	Disch.	Suction	Max. Imp.	Mater.
1P	1.0	1.25	7.0	C.I.
1.5P	1.5	2.0	7.0	C.I.
2P	2.0	2.5	7.0	C.I.
2.5P	2.5	3.0	7.0	C.I.
3P	3.0	4.0	7.0	C.I.
4P	4.0	5.0	7.0	C.I.
1.5Q	1.5	2.0	9.5	C.I.
2Q	2.0	2.5	9.5	C.I.
2.5Q	2.5	3.0	9.5	C.I.
3Q	3.0	4.0	9.5	C.I.
4Q	4.0	5.0	9.5	C.I.
5Q	5.0	6.0	9.5	D.I.
6Q	6.0	8.0	9.5	D.I.
1.5R	1.5	2.0	12.0	C.I.
2.5R	2.5	3.0	12.0	C.I.
3R	3.0	4.0	12.0	C.I.
4R	4.0	5.0	13.0	D.I.
5R	5.0	6.0	13.0	D.I.
6R	6.0	8.0	13.0	D.I.
8R	8.0	10.0	13.0	D.I.
5S	5.0	6.0	15.5	D.I.
6S	6.0	8.0	15.5	D.I.

Dimensions in inches

Heads to 400'  
Flows to 4000GPM  
Up to 125HP  
Up to 8" Discharge

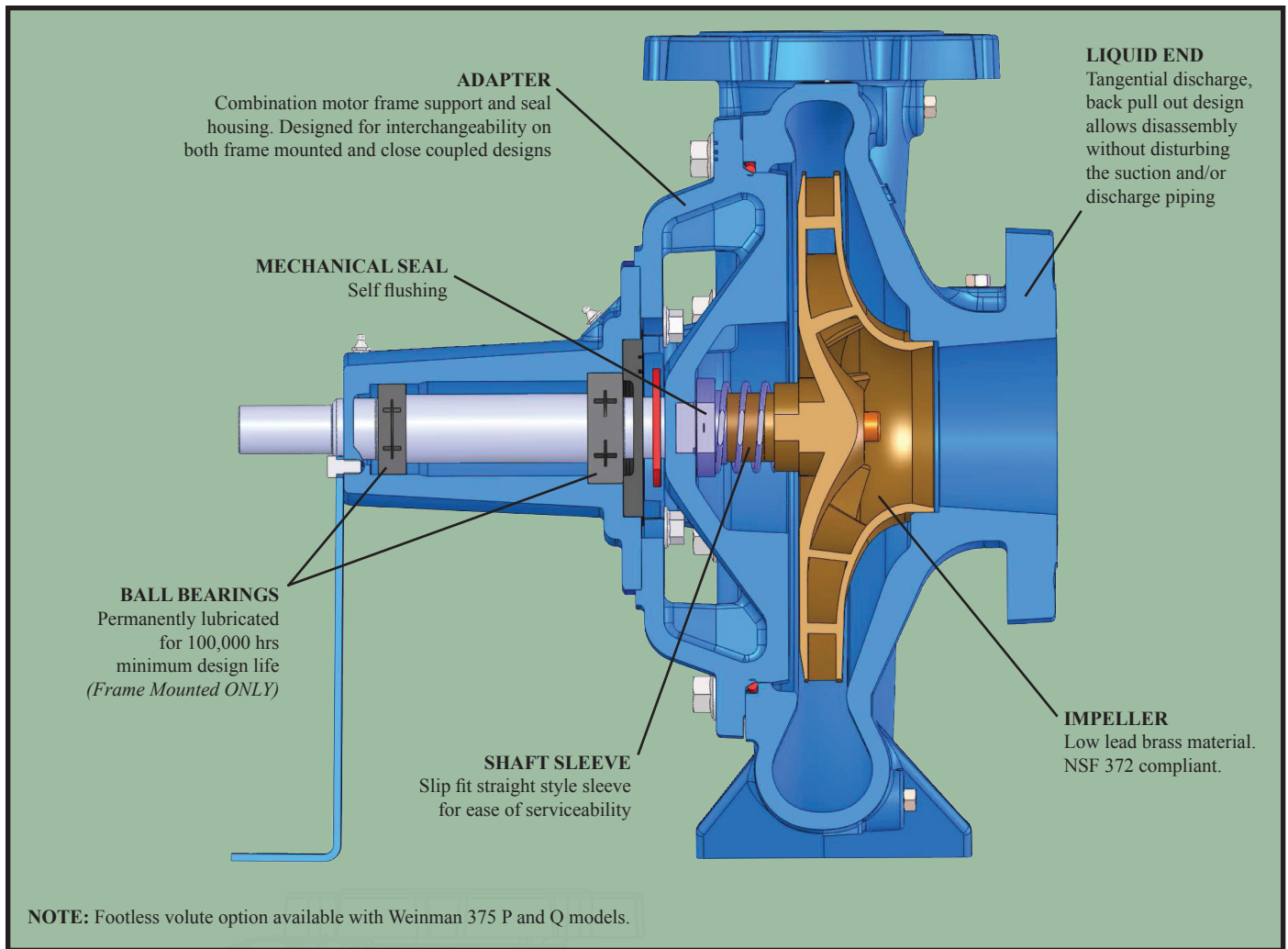
### **Applications:**

*Commercial  
HVAC  
Hot water systems  
Industrial processes  
Municipal drinking water*

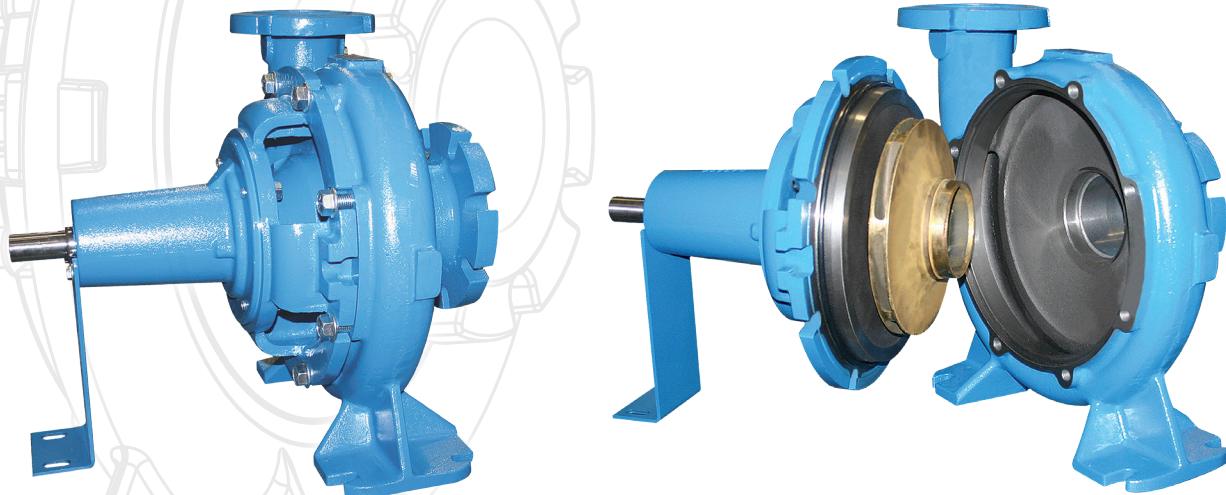
### Materials of Construction

Name of Part	Standard Fitted	Optional
Casing	ASTM A48 CL30 (Cast Iron) - OR - ASTM A536 GR 65-45-12 (Ductile Iron) (in select sizes - see above chart)	-
Impeller	ASTM B584-C87500 (Silicon Brass)	-
Shaft (Pump)	ASTM A108-1045 (Steel)	ASTM A582 - 416SS or A276 - 316SS
Adapter	ASTM A48 CL30 (Cast Iron)	-
Shaft Sleeve	ASTM B505-C95400 (NI AL Bronze)	ASTM A276 - 316SS
Bearing (Inboard)	Permanently Lubricated	Regreasable
Bearing (Outboard)	Permanently Lubricated	Regreasable
Frame	ASTM A48 CL30 (Cast Iron)	-
Impeller Screw	302 Stainless Steel	-
Impeller Screw Washer	302 Stainless Steel	-
Impeller Key	303 Stainless Steel	-
Mechanical Seal	Carbon/Ceramic/Buna	C/SiC/EP or SiC/SiC/EP
Casing O-Ring	Buna	EP

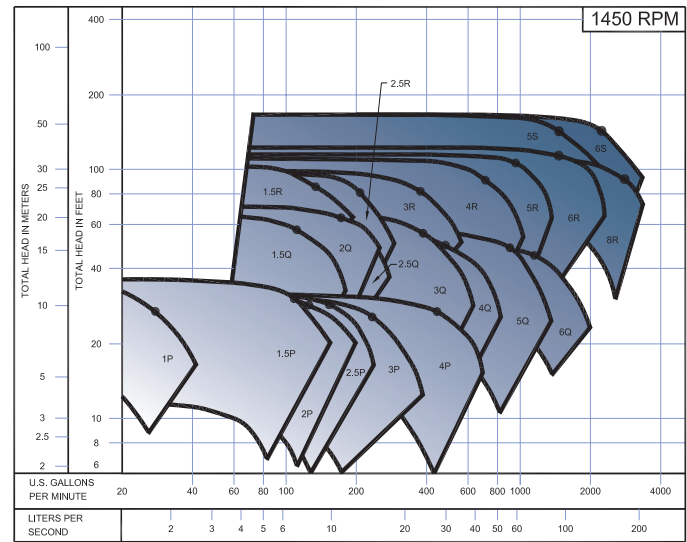
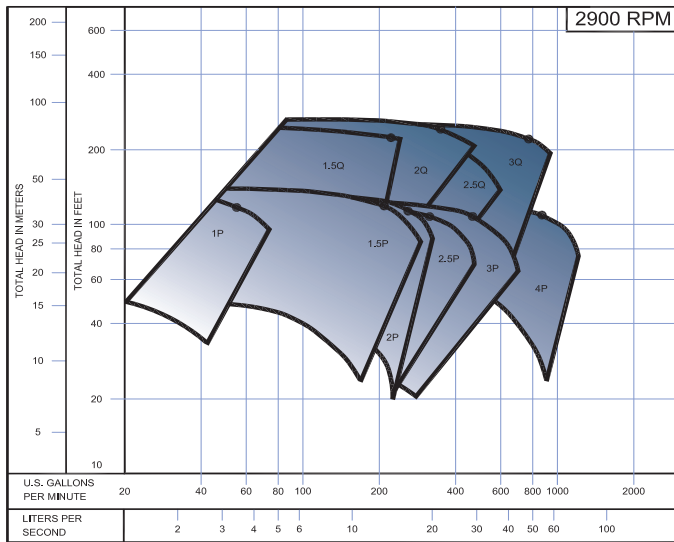
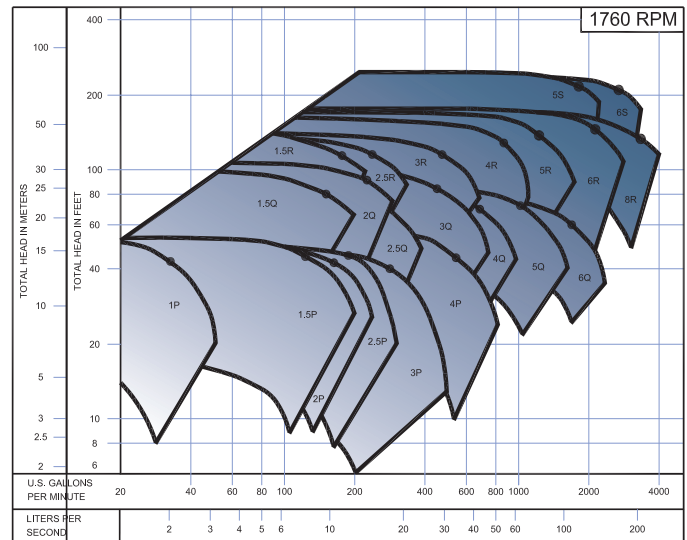
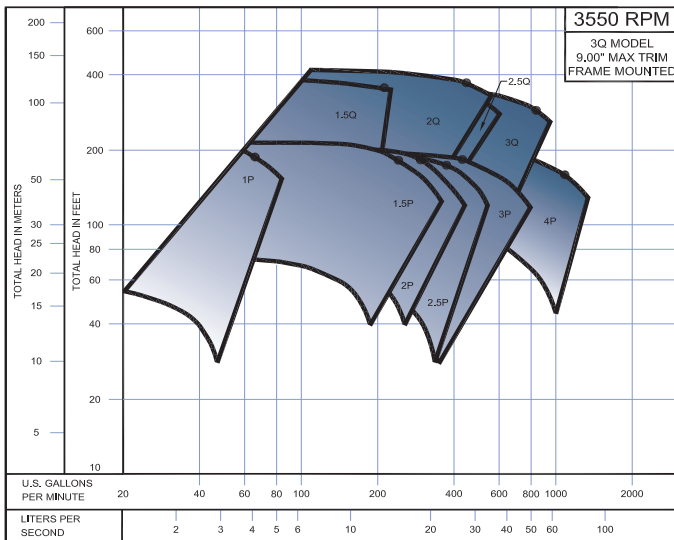
## Features and Benefits:



- Back Pull Out design allows the pump to be serviced without disturbing the existing motor or installed piping.
- Standard product offering features an industry leading two week lead-time.
- Self-venting tangential discharge eliminates air entrapment in the pump case.
- The frame mounted design offers a heavy duty formed steel base with bolt on motor risers. The pump leaves the factory laser aligned, which assures that the unit can be aligned in the field without bolt bind.
- Self flushing mechanical seal, external piping not required.



# Weinman Back Pull Out Pump Series



\* 1150 RPM available - Please see our online catalog at [www.cranepumps.com/catalogs.php](http://www.cranepumps.com/catalogs.php)



A Crane Co. Company

## PUMPS & SYSTEMS

**Crane Pumps & Systems**  
420 Third Street  
Piqua, Ohio 45356  
(937) 778-8947  
Fax (937) 773-7157  
[www.cranepumps.com](http://www.cranepumps.com)

**Crane Pumps & Systems Canada**  
83 West Drive  
Brampton, Ont. Canada L6T 2J6  
(905) 457-6223  
Fax (905) 457-2650

**Crane Pumps & Systems UAE**  
Galleries Building 4, Suite 901  
Downtown Jebel Ali, Dubai  
Tel (971) 4816-5800  
Fax (971) 4816-5900  
[dubai@cranepumps.com](mailto:dubai@cranepumps.com)

© 2016 Crane Pumps & Systems, Inc.  
A Crane Co. Company  
Printed in U.S.A.  
W375-575BRO - Rev. F (4/16)



brands you trust.

BARNES®

burks®

DEMING®

WEINMAN®



PROSSER®