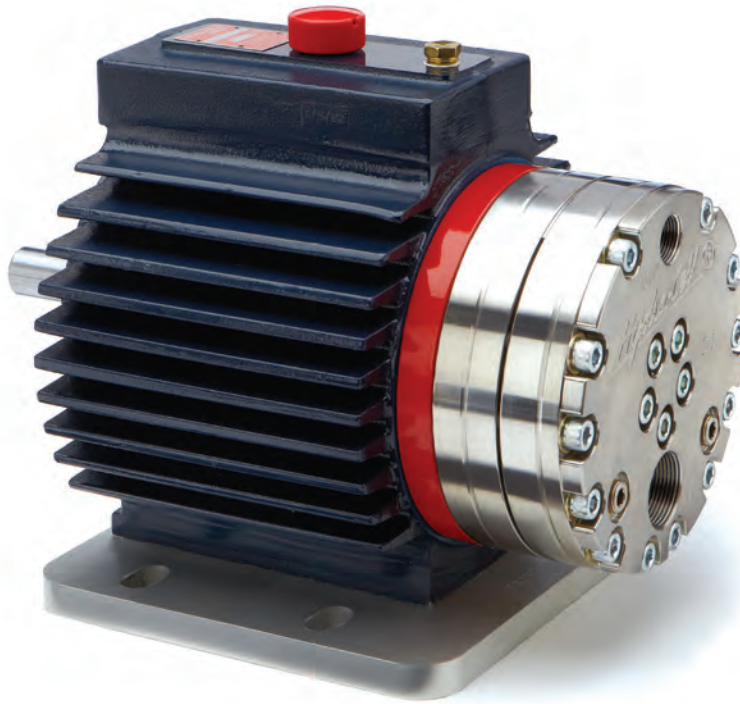


Hydra-Cell®

Seal-less Pumps

Versatile, Reliable Pumps for a Wide Range of Applications



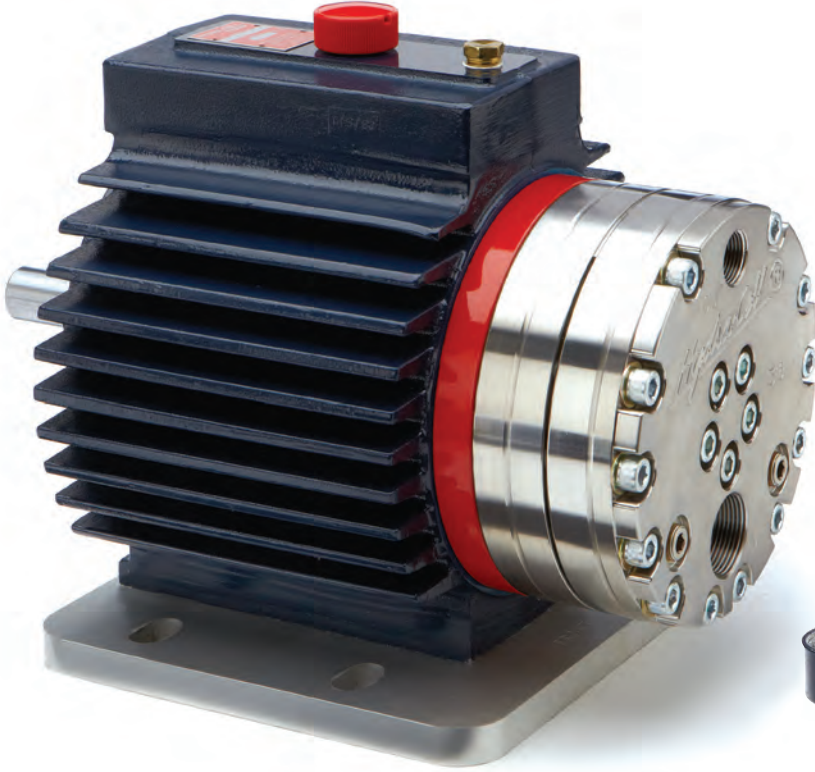
DI5/DI7 Series

- Pumps the full spectrum of low-to-high viscosity fluids.
- Features a seal-less design and horizontal disk check valves that enable the pump to handle abrasives and particulates that might damage or destroy other types of pumps.
- Simple, compact design reduces initial investment and lowers maintenance costs.
- Operational efficiencies reduce energy costs.
- Able to run dry without damage (or additional maintenance) to the pump in case of accident or operator error.
- Tolerates non-ideal operating conditions.
- Minimizes maintenance and downtime because there are no seals, packing or cups to leak or replace.

D15/D17 Series

Maximum Flow Rate: 15.5 gpm (58.7 l/min)

Maximum Pressure: 2500 psi (172 bar) for Metallic Pump Heads



D15 for horizontal installations shown with Stainless Steel pump head.



D17 for vertical mounting (including motor adapter, base plate and oil reservoir) shown with Brass pump head.

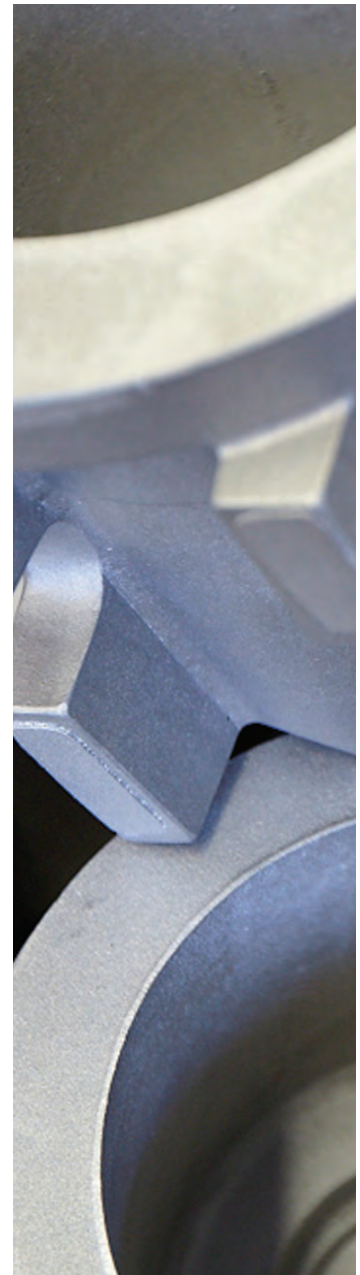
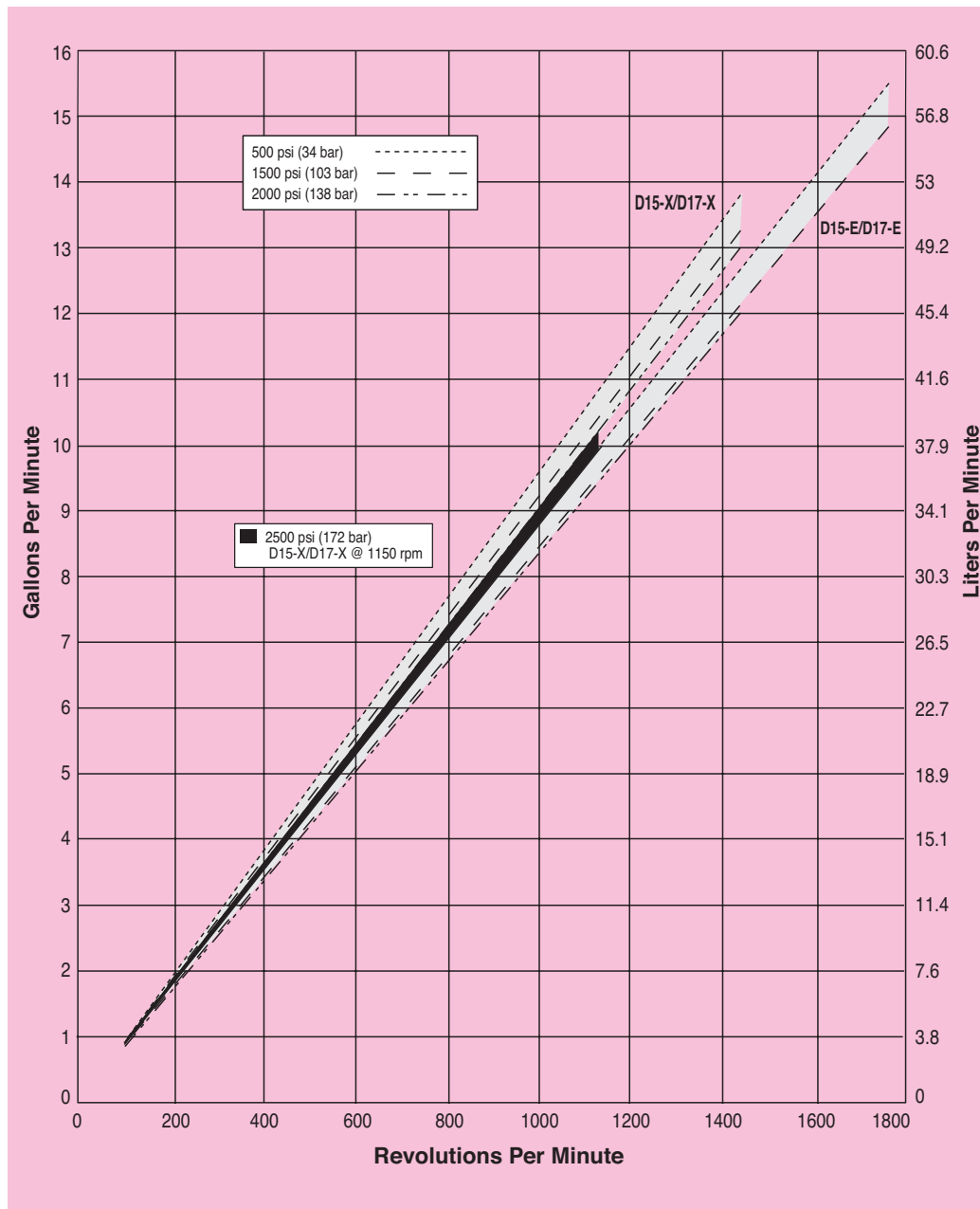
DI5/DI7 Series Performance

Capacities

Model	Max. Input rpm	Flow		Pressure	
		gpm	l/min	Max. Inlet Pressure	Max. Discharge Pressure
D15-X/D17-X	1450	13.8	52.3	500 psi (34 bar)	500 psi (34 bar)
	1450	13.3	50.2	500 psi (34 bar)	1500 psi (103 bar)
	1450	13.0	49.2	500 psi (34 bar)	2000 psi (138 bar)
	1150	10.1	38.1	500 psi (34 bar)	2500 psi (172 bar)
D15-E/D17-E	1750	15.5	58.7	500 psi (34 bar)	500 psi (34 bar)
	1750	14.8	56.2	500 psi (34 bar)	1500 psi (103 bar)
	1450	12.0	45.5	500 psi (34 bar)	2000 psi (138 bar)

Performance and specification ratings apply to DI5/DI7 configurations unless specifically noted otherwise.

Maximum Flow at Designated Pressure



DI5/DI7 Series Specifications

Flow Capacities

Model	@ max rpm	psi	bar	gpm	l/min
D15-X/D17-X	1450	500	34	13.8	52.3
	1450	1500	103	13.3	50.2
	1450	2000	138	13.0	49.2
	1150	2500	172	10.1	38.1
D15-E/D17-E	1750	500	34	15.5	58.7
	1750	1500	103	14.8	56.2
	1450	2000	138	12.0	45.5

Delivery

Model	psi	bar	gal/rev	liters/rev
D15-X/D17-X	500	34	0.0095	0.0360
	1500	103	0.0092	0.0346
	2000	138	0.0090	0.0339
	2500	172	0.0088	0.0331
D15-E/D17-E	500	34	0.0089	0.0335
	1500	103	0.0085	0.0321
	2000	138	0.0083	0.0314

Maximum Discharge Pressure

Metallic Heads: 1500 psi (103 bar) @1750 rpm
(D15-E & D17-E only)
2000 psi (138 bar) @1450 rpm
2500 psi (172 bar) @1150 rpm

Maximum Inlet Pressure

500 psi (34 bar)

Maximum Operating Temperature

Metallic Heads: 250° F (121 °C) - Consult factory for correct component selection for temperatures from 160° F (71 °C) to 250° F (121 °C).

Maximum Solids Size

500 microns

Inlet Port

1-1/4 inch NPT

Discharge Port

3/4 inch NPT

Shaft Diameter

1-1/8 inch (28.6 mm)

Shaft Rotation

Reverse (bi-directional)

Bearings

Tapered roller bearings

Oil Capacity

2.2 US quarts (2.1 liters)

Weight

Metallic Heads: 145 lbs. (66 kg)

Calculating Required Power

$$\frac{80 \times \text{rpm}}{63,000} + \frac{\text{gpm} \times \text{psi}}{1,460 - \left(\frac{\text{psi} - 500}{20}\right)} = \text{electric motor hp}$$

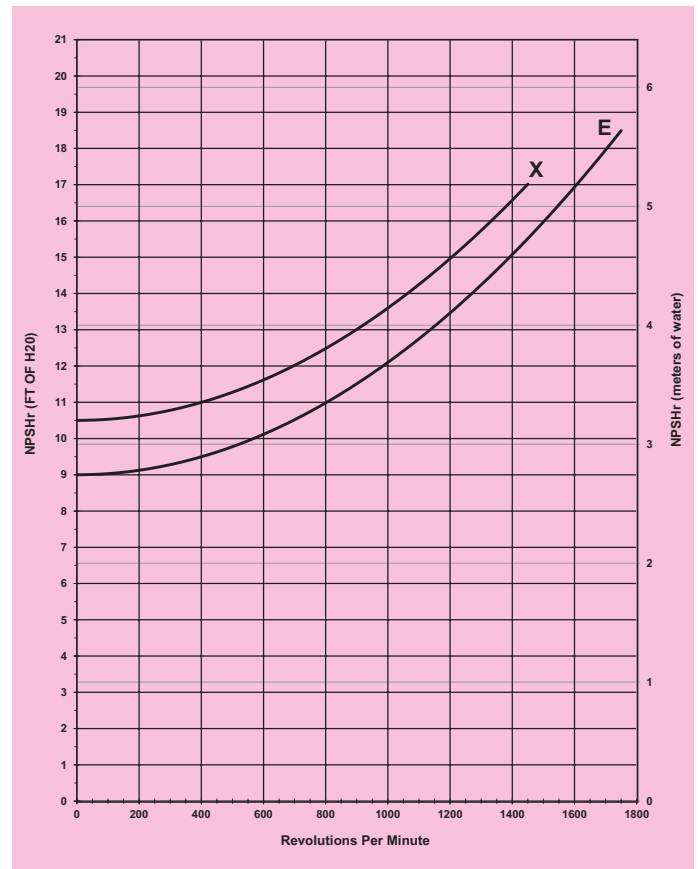
$$\frac{80 \times \text{rpm}}{84,428} + \frac{\text{l/min} \times \text{bar}}{511 - \left(\frac{\text{bar} - 35}{4}\right)} = \text{electric motor kW}$$

Calculating Pulley Size

$$\frac{\text{motor pulley OD}}{\text{pump rpm}} = \frac{\text{pump pulley OD}}{\text{motor rpm}}$$

When using a variable frequency controller (VFD) calculate the hp or kW at minimum and maximum pump speed to ensure the correct hp or kW motor is selected. Note that motor manufacturers typically de-rate the service factor to 1.0 when operating with a VFD.

Net Positive Suction Head (NPSHr)

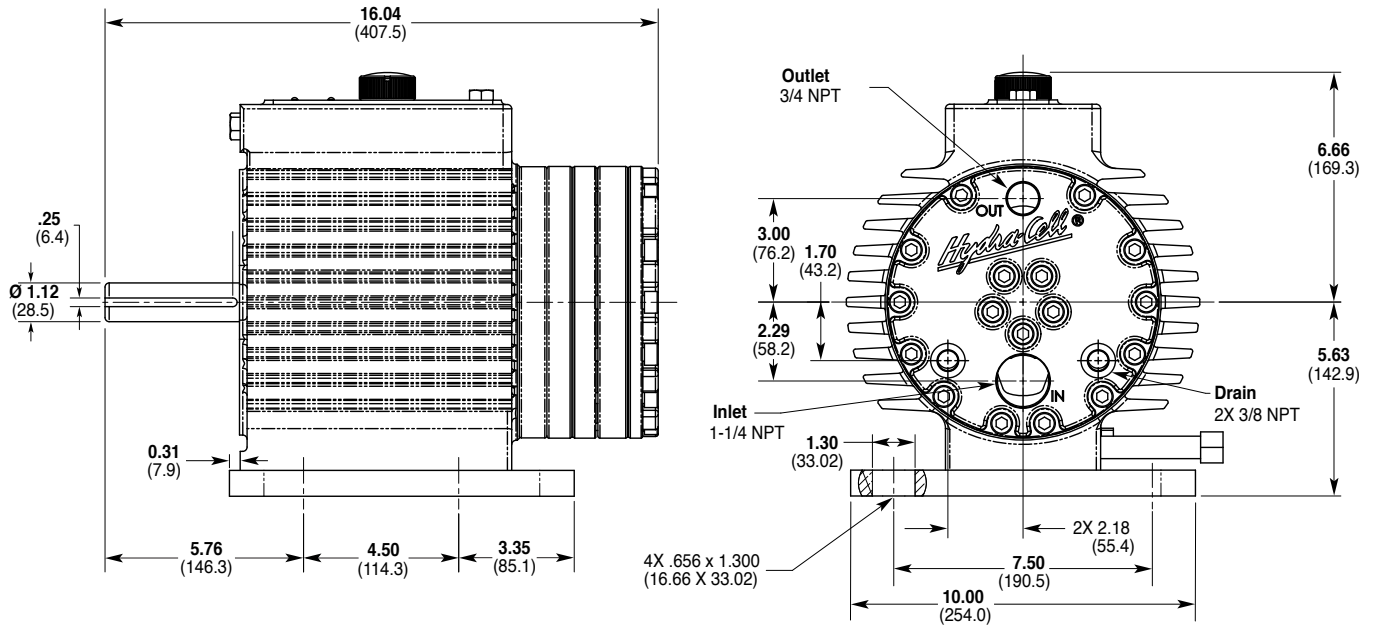


Self-priming:

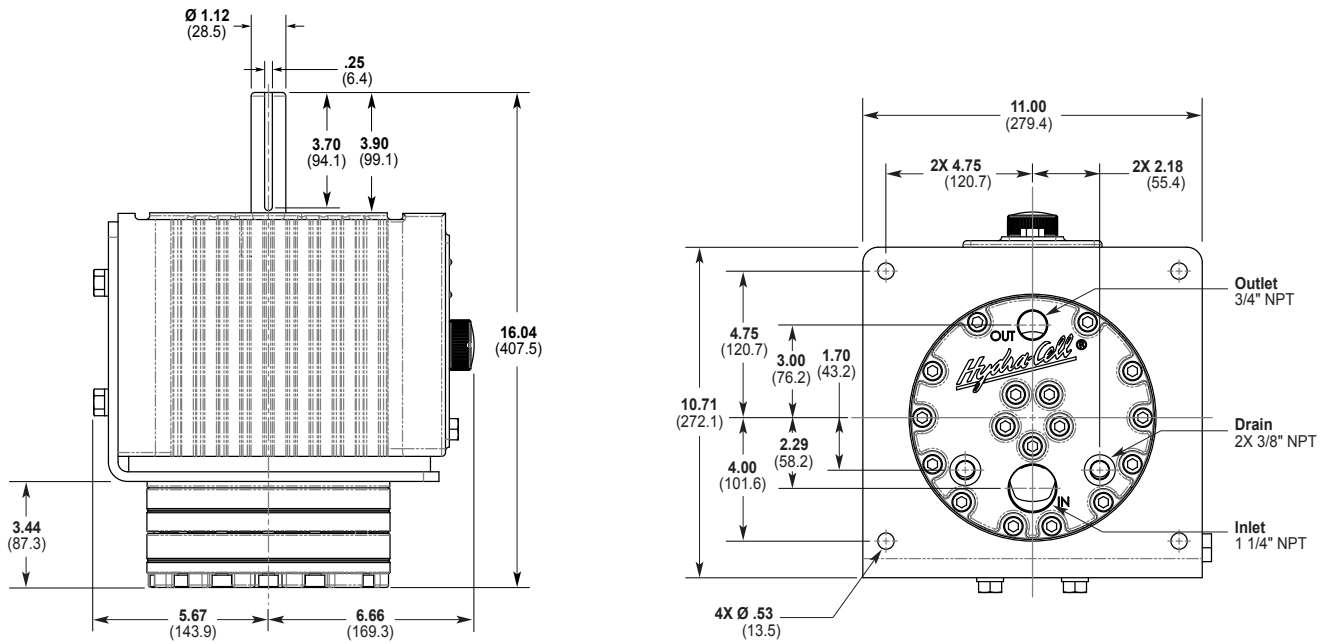
Each Hydra-Cell pump has different lift capability depending on model size, cam angle, speed, and fluid characteristics. To ensure that your specific lift characteristics are met, refer to the inlet calculations regarding friction, and acceleration head losses in your Hydra-Cell Installation & Service Manual. Compare those calculations to the NPSHr curves above.

DI5/DI7 Series Representative Drawings

DI5 Models for Horizontal Mounting Inches (mm)



DI7 Models for Vertical Mounting Inches (mm)



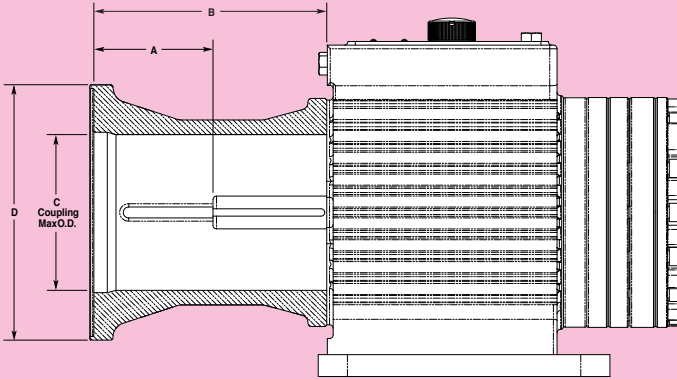
Note: Contact factory for additional drawings of specific models and configurations.

DI5/DI7 Series Representative Drawings

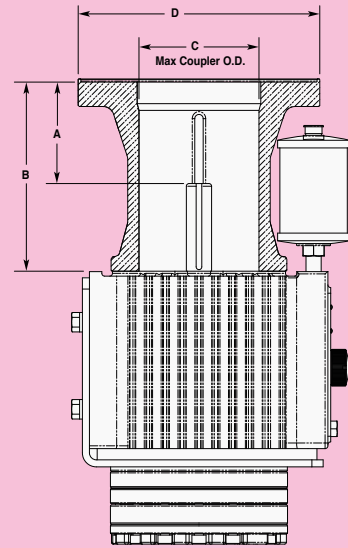
Pump/Motor Adapter Inches (mm)

Pump/Motor Adapters are designed to fit several NEMA frame sizes.

Metric adapter available - consult factory.



DI5 (Horizontal)



DI7 (Vertical)

Dimensions in Inches (mm)

Adapter Motor Size	Part Number	A	B	C	D
DI5/DI7 NEMA 182TC - 256TC	A04-041-1200	4.1 (103.8)	8.0 (202.8)	4.75 (120.7)	8.75 (222.3)
DI5/DI7 NEMA 284TC - 286TC	A04-041-1202	4.5 (114.7)	8.4 (213.7)	4.75 (120.7)	10.75 (273.1)

Valve Selection

A Hydra-Cell DI5/DI7 Series pumping system uses a C62 Pressure Regulating Valve.



For complete specifications and ordering information, consult the Hydra-Cell Master Catalog.

D15/D17 Series **How to Order**

Ordering Information

1	2	3	4	5	6	7	8	9	10	11	12
---	---	---	---	---	---	---	---	---	----	----	----

A complete D15/D17 Series Model Number contains 12 digits including 9 customer-specified design and materials options, for example: D15XABTHFECCG.

Digit	Order Code	Description
1-3	D15	Pump Configuration Horizontal shaft-driven (NPT Ports)
	D17	Vertical shaft-driven (NPT Ports) *Pump/motor adapters ordered separately. See previous page.
4	X	Hydraulic End Cam Max 13.8 gpm (52.3 l/min) @ 1450 rpm
	E	Max 15.5 gpm (58.7 l/min) @ 1750 rpm
5	A	Pump Head Version NPT Ports
	B	Pump Head Material Brass
6	S	316L Stainless Steel
	G	Diaphragm & O-ring Material FKM
7	T	Buna-N
	D	Valve Seat Material Tungsten Carbide
8	H	17-4 Stainless Steel
	N	Nitronic 50
	D	Valve Material Tungsten Carbide
9	F	17-4 Stainless Steel
	N	Nitronic 50
	E	Valve Springs Elgiloy
10	H	17-7 Stainless Steel
	T	Hastelloy C
	C	Valve Spring Retainers Celcon
11	H	17-7 Stainless Steel
	M	PVDF
	P	Polypropylene
	Y	Nylon (Zytel)

Digit	Order Code	Description
12	A	Hydra-Oil 10W30 standard-duty oil
	B	40-wt for continuous-duty (use with 316L SST pump head - standard)
	E	Food-contact oil
	G	5W30 cold-temp severe-duty synthetic oil
	H	15W50 high-temp severe-duty synthetic oil

Consult the Hydra-Cell Master Catalog for:

- Motors, bases, couplings and other pump accessories
- Hydra-Oil selection and specification information
- Design considerations, installation guidelines, and other technical assistance in pump selection

Hydra-Cell®

Seal-less Pumps



Wanner Engineering, Inc.

World Headquarters & Manufacturing

Wanner Engineering, Inc.
1204 Chestnut Avenue,
Minneapolis, MN 55403 USA
Phone: 612-332-5681 • Fax: 612-332-6937
Toll-Free Fax (USA): 800-332-6812
Email: sales@wannereng.com
www.Hydra-Cell.com

207 US Highway 281
Wichita Falls, TX 76310 USA
Phone: 940-322-7111
Toll-Free: 800-234-1384
Email: sales@wannereng.com
www.Hydra-Cell.com

Latin American Office

R. Álvaro Anes, 150 Bairro Campestre
Santo André/São Paulo, Brazil - CEP 09070-030
Phone: (11) 4081-7098
Email: mmagoni@wannereng.com
www.Hydra-Cell.com



Wanner International Ltd.

Wanner International, Ltd.
Hampshire - United Kingdom
Phone: +44 (0) 1252 816847
Email: sales@wannerint.com
www.Hydra-Cell.eu



Wanner Pumps Ltd.

Wanner Pumps, Ltd.
Kowloon - Hong Kong
Phone: +852 3428 6534
Email: sales@wannerpumps.com
www.WannerPumps.com

Shanghai - China
Phone: +86-21-6876 3700
Email: sales@wannerpumps.com
www.WannerPumps.com

